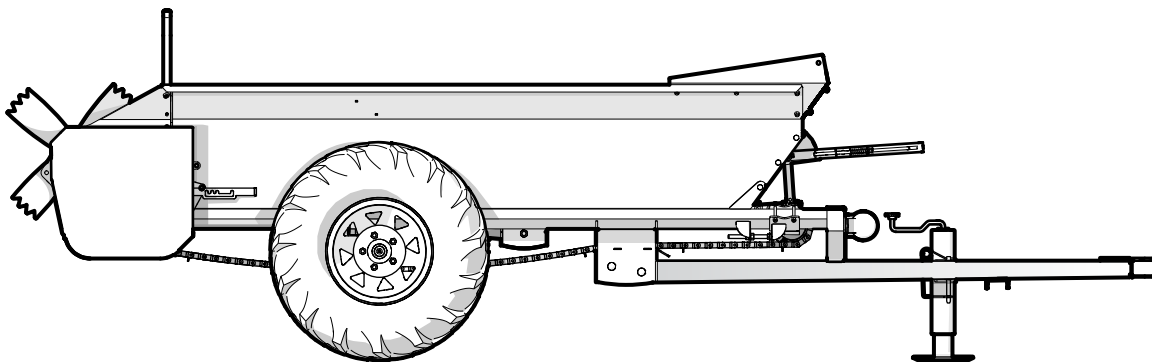


PARTS MANUAL

Serial Number 750G121 & up

MX50G Manure Spreader



Foreword

This Wallenstein parts manual is prepared to assist customers in ordering quality OEM replacement parts.

Regular maintenance combined with replacing old, worn or broken parts with the correct OEM parts is essential in prolonging the life of your Wallenstein product. Refer to this manual to identify replacement parts.

To order parts, contact your Wallenstein dealer or distributor. Have the product model and serial number handy.

If your dealer is no longer available, please go to our website: <http://wallensteinequipment.com> and click on the [Dealer Locator](#) to find the nearest dealer.

All information contained in this parts manual is current as per the revision date at the bottom of the page. Wallenstein reserves the right to change product specifications at any time without notice.

If your product specifications differ from those contained in this manual, contact Wallenstein for current information.

Reproduction of information in this parts manual is prohibited without prior written permission from Wallenstein Equipment Inc.

Wallenstein Equipment Inc. • © 2021

WARNING!

Refer to the operators manual for safe operation and maintenance.

Maintenance should be performed by trained personnel only.

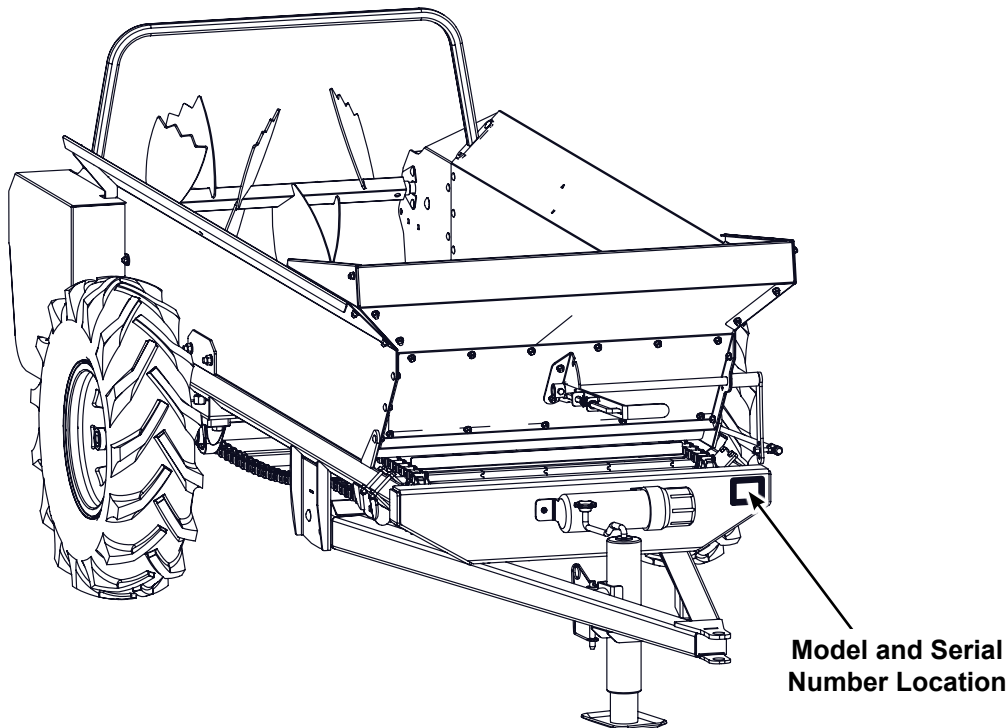
Serial Number Location

Always provide the model and serial number of your Wallenstein product when ordering parts or requesting service or other information. This information is found on the product information plate as shown below.

Record your product information here for future reference.

Model _____

Serial Number _____

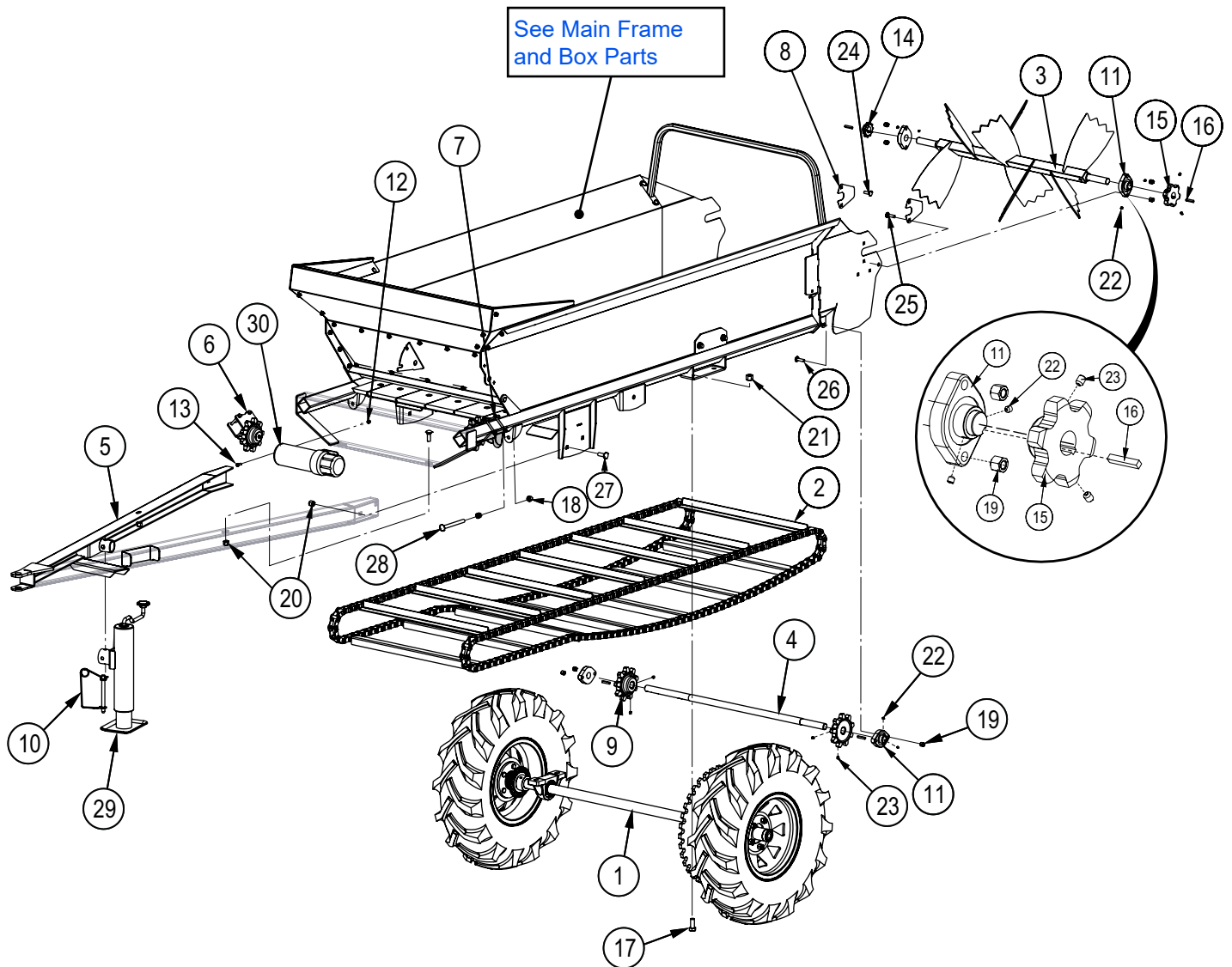


www.wallensteinequipment.com

Contents

Main Parts.....	4
Main Frame and Box Parts.....	5
Box Panel Ground Drive Assembly.....	6
Apron Chain and Front Sprockets	7
Ground Drive	8
Ground Drive Axle Assembly.....	9
Ground Drive Engagement	10
Drive Engagement Handle	11
Pillow Block.....	11
Apron Chain Ratchet Parts	12
Apron Ratchet Drive Mechanism.....	13
Drive Chain Tensioner	14
Idler Assembly Detail.....	14
Decal Layout.....	15
Common Bolt Torque Values	17
Wheel Lug Torque Values.....	18

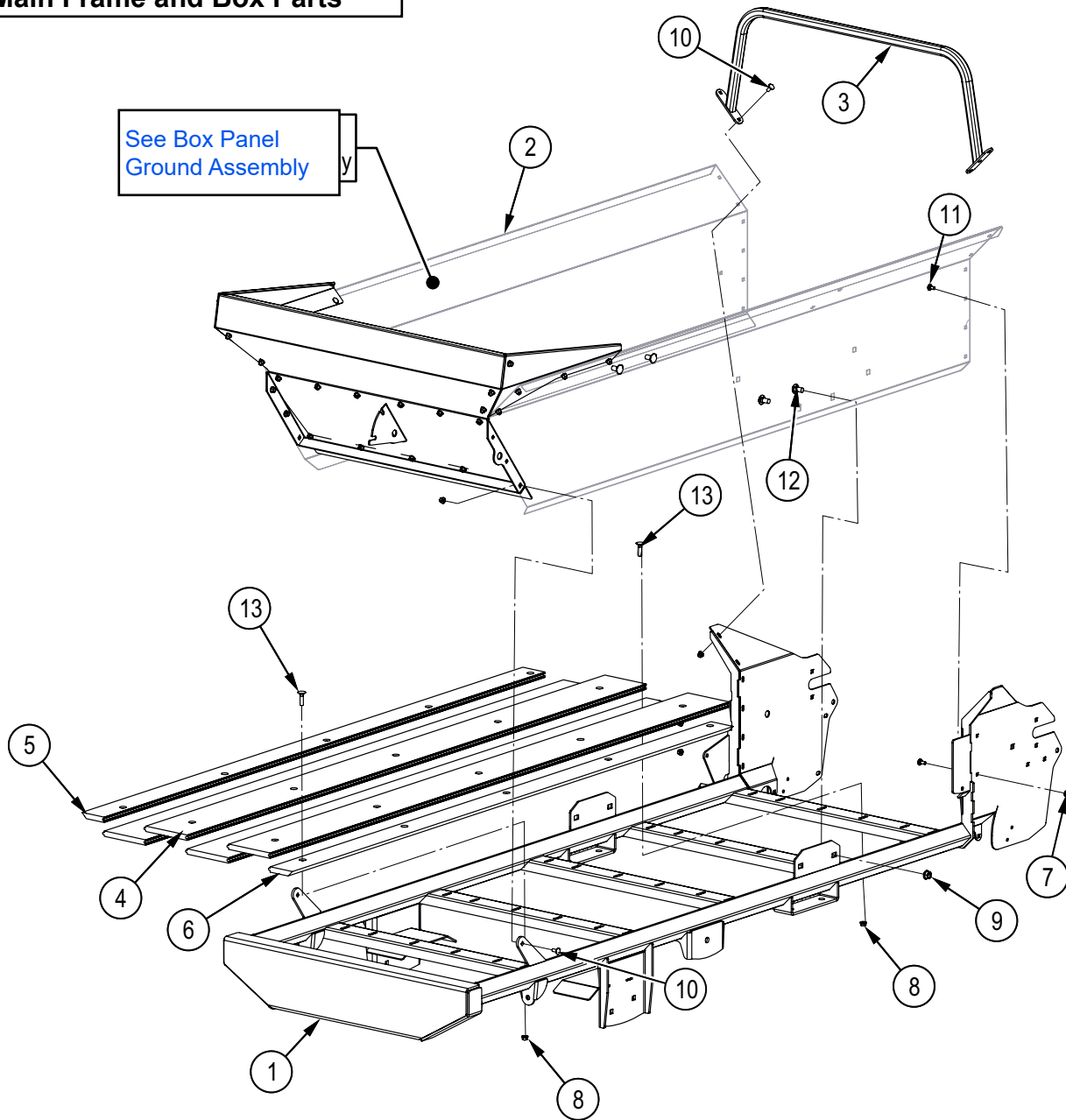
Main Parts



Item No.	Part No.	Description	Qty
1	7012A251	Assembly, Ground Drive Axle	1
2	7012A302	Assembly, Apron Chain 662	1
3	7012W516	Beater Bar, Ground Drive	1
4	7013M303	Shaft, Rear Apron Drive	1
5	7013W302	MX80 Hitch Frame	1
6	7015A505	Assy, Front Apron Sprocket RH	1
7	7015A506	Assy, Front Apron Sprocket LH	1
8	7015L560	Plate, Beater Bar Capture	2
9	7015M501	Sprocket, Apron Chain Rear	2
10	Z12441	Snap Lock Pin, 1/2" x 4-1/2"	1
11	Z25102	2-Bolt Flange Bearing, SBFD205-16	4
12	Z72211	Hex Lock Nut, 1/4NC	3
13	Z78301	Machine Screw, 1/4NC x 3/4"	3
14	Z42803	Sprocket, #50 x 11 x 1"	1
15	Z42807	Sprocket, #550 x 6 x 1" w/ Key	1

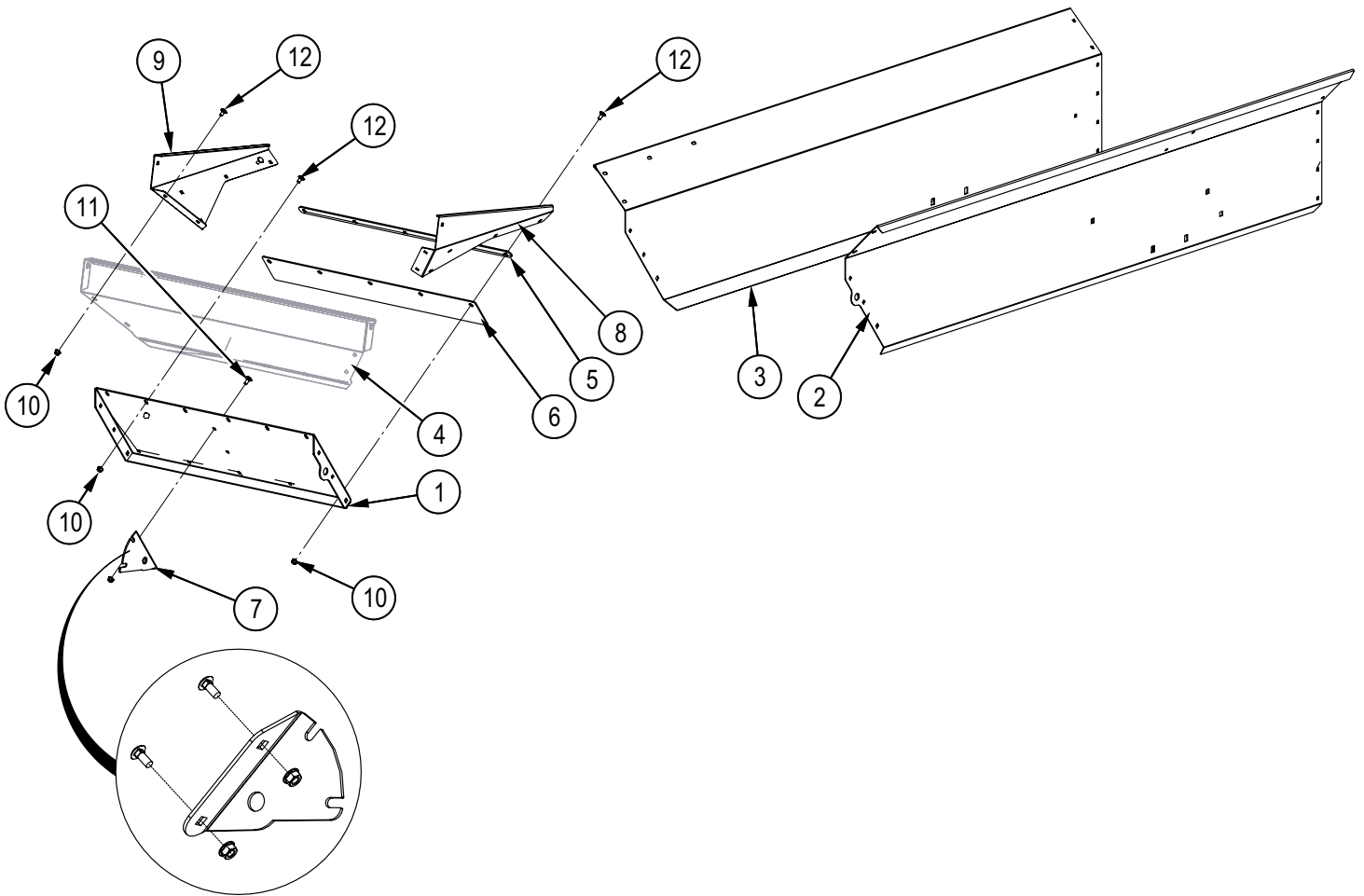
Item No.	Part No.	Description	Qty
16	Z46532	Key, 1/4" x 1/4" x 1-1/2"	4
17	Z71615	Hex Bolt, 5/8NC x 1-1/2"	4
18	Z72151	Hex Nut, 1/2NC	4
19	Z72231	Hex Lock Nut, 3/8NC	8
20	Z72251	Hex Lock Nut, 1/2NC	6
21	Z72261	Hex Lock Nut, 5/8NC	4
22	Z74112	Set Screw, 1/4NF x 1/4"	8
23	Z74121	Set Screw, 5/16NC x 3/8"	6
24	Z76232	Carriage Bolt, 3/8NC x 1-1/4"	2
25	Z76234	Carriage Bolt, 3/8NC x 1-1/2"	2
26	Z76239	Carriage Bolt, 3/8NC x 1-1/2" Extra Short Neck	1
27	Z76251	Carriage Bolt, 1/2NC x 1-1/2"	6
28	Z76254	Carriage Bolt, 1/2NC x 5-1/2" Full Threads	2
29	Z91513	Trailer Jack, Top Wind x 2000lbs	1
30	Z96503	Manual Tube, 3-1/2" Short	1

Main Frame and Box Parts



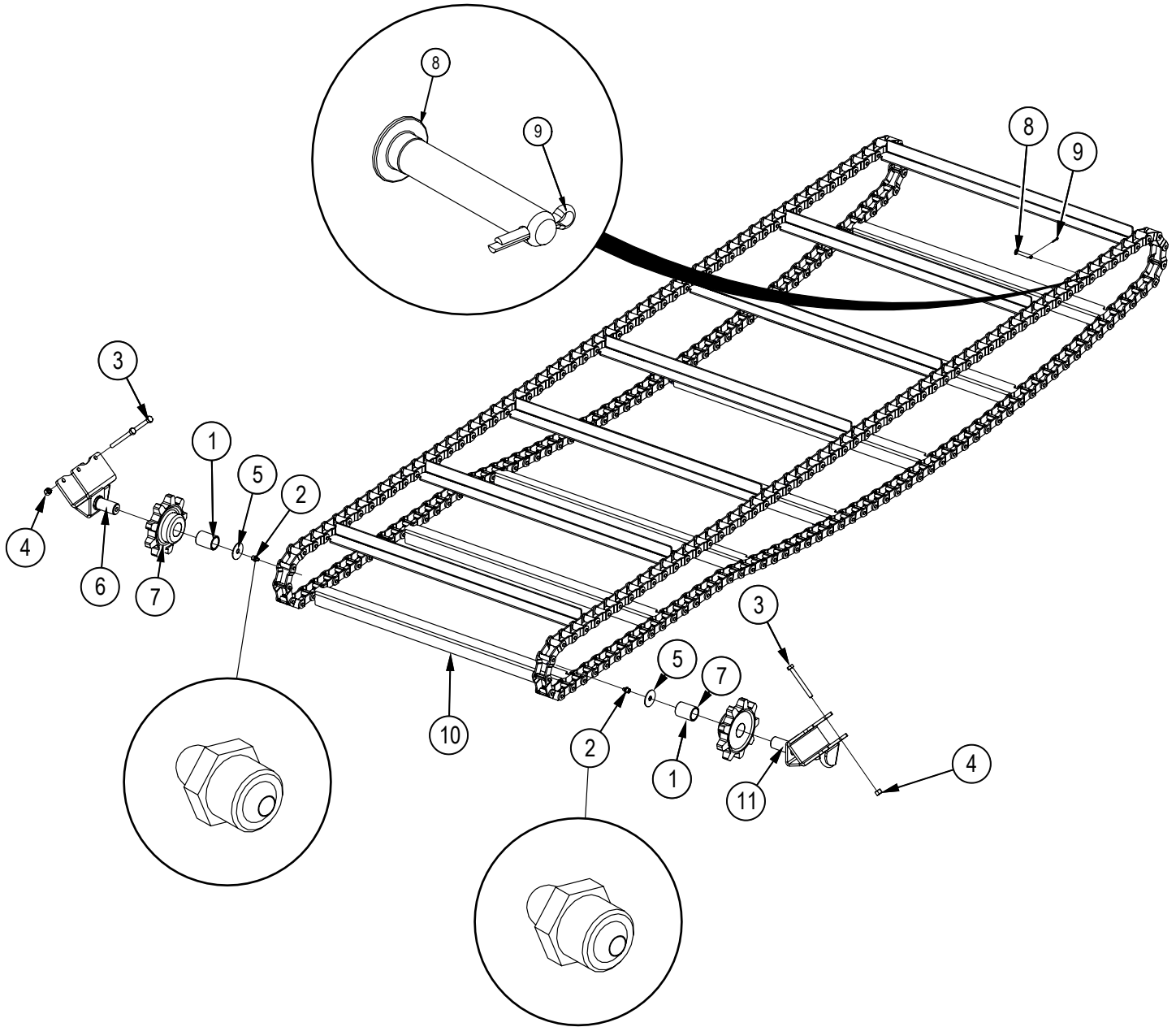
Item No.	Part No.	Description	Qty
1	7013W301	MX50 Main Frame	1
2	7012A301	Assy, Box Panel Ground Drive	1
3	7013W317	Crossbar	1
4	7013S305	Floor Board, Center	4
5	7013S306	Floor Board, Right End	1
6	7013S307	Floor Board, Left End	1
7	Z72521	Serrated Flange Locknut, 5/16NC	16
8	Z72531	Serrated Flange Locknut, 3/8NC	30
9	Z72551	Serrated Flange Locknut, 1/2NC	4
10	Z76221	Carriage Bolt, 5/16NC x 3/4"	8
11	Z76222	Carriage Bolt, 5/16NC x 5/8"	8
12	Z76252	Carriage Bolt, 1/2NC x 1"	4
13	Z76631	Plow Bolt, 3/8NC x 1-1/2"	30

Box Panel Ground Drive Assembly



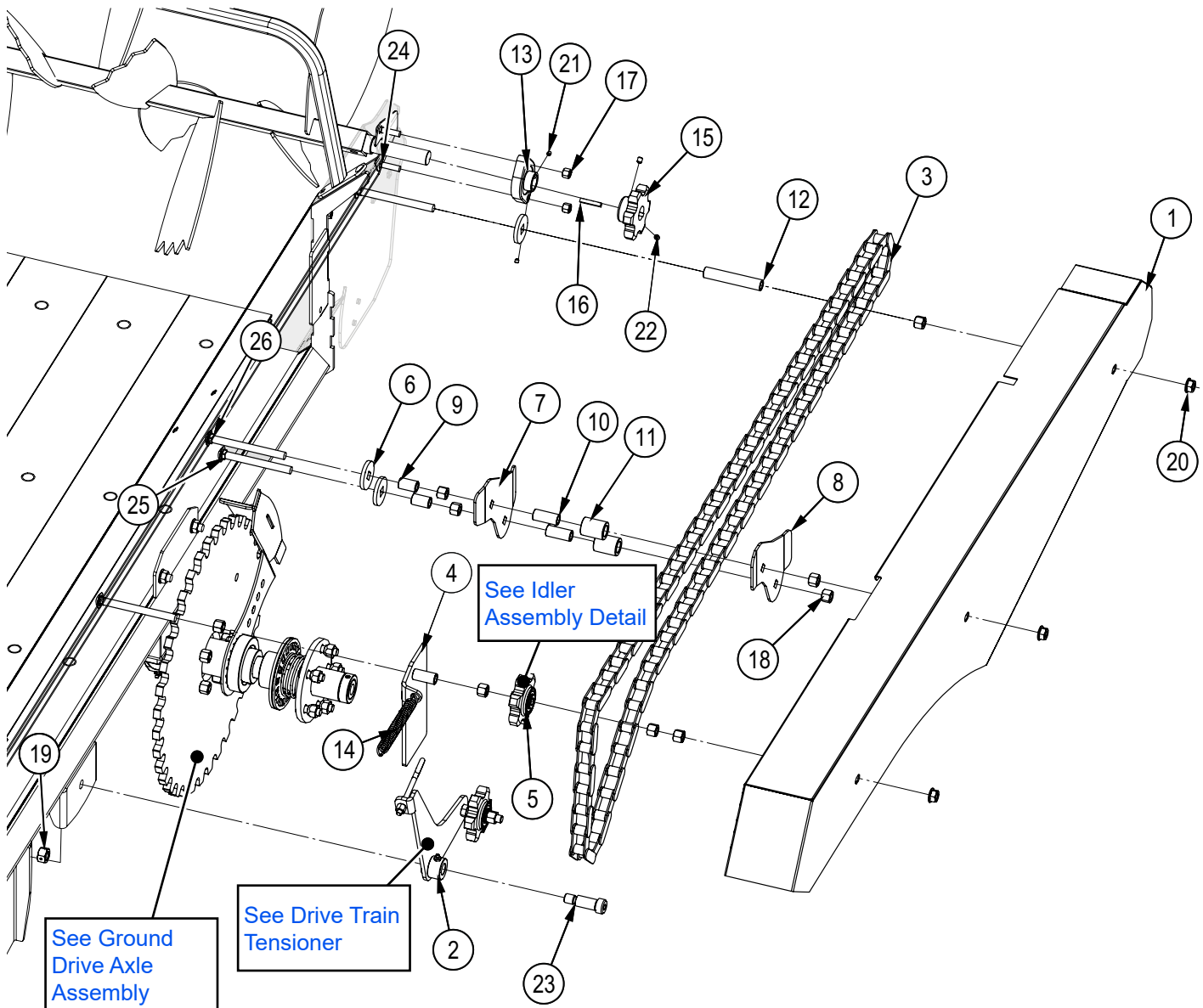
Item No.	Part No.	Description	Qty
1	7012L264	Panel, Front	1
2	7013L305	Panel, Side LH	1
3	7013L306	Panel, Side RH	1
4	7013L340	Splash Guard, Top	1
5	7013L361	Clamp, Floor Seal	1
6	7013S308	Floor Seal	1
7	7014L453	Engaging Arm Mounting Bracket	1
8	7015L542	Splash Guard, LH	1
9	7015L543	Splash Guard, RH	1
10	Z72521	Serrated Flange Locknut, 5/16NC	30
11	Z76221	Carriage Bolt, 5/16NC x 3/4"	7
12	Z76222	Carriage Bolt, 5/16NC x 5/8"	22

Apron Chain and Front Sprockets



Item No.	Part No.	Description	Qty
1	Z26301	Bronze Bushing, 1" ID x 1-1/4" OD x 1-5/8" Long	2
2	Z29201	Grease Fitting, MP02	2
3	Z71230	Hex Bolt, 5/16NC x 3"	4
4	Z72221	Hex Lock Nut, 5/16NC	4
5	Z73232	Extra Wide Washer, 3/8"	2
6	7015W507	Bracket, Front Sprocket RH	1
7	7015M519	Sprocket, Apron Chain Front	2
8	7011M302	Pin, 662 Chain Clevis	2
9	Z12304	Cotter Pin, 3/32" x 1/2"	2
10	7012S252	Chain, Apron 662, 93 Links	1
11	7015W508	Beater Bar, PTO Drive	1

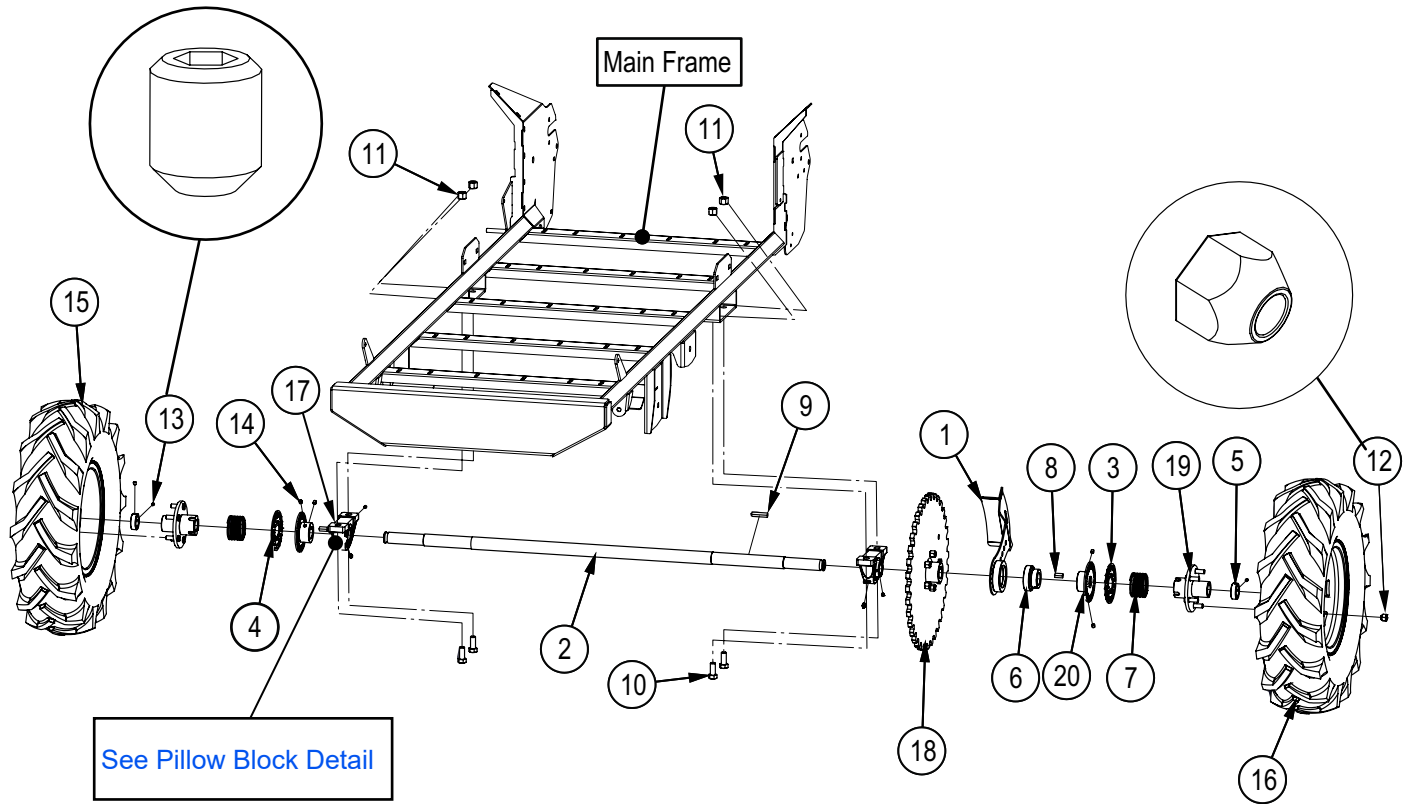
Ground Drive



Item No.	Part No.	Description	Qty
1	7012W250	Shield, Drive Chain	1
2	7014A454	Tensioner, Drive Chain	1
3	Z42306	Roller Chain, #550 x 40	1
4	7014W457	Plate, Idler/Tensioner Mount	1
5	7014A453	Idler Assembly, #550 Chain	1
6	7014L458	Washer, Square Head	3
7	7014L459	RH Guide, Chain	1
8	7014L467	LH Guide, Chain	1
9	7014M460	Spacer, 1-1/4	2
10	7014M463	Spacer, 1-3/4	2
11	7014M464	Roller, Chain Guide	2
12	7014M465	Spacer, Rear Shield	1
13	Z25102	2-Bolt Flange Bearing, SBFD205-16	1
14	Z31401	Ext Spring, 3/4" OD x 4" x 0.105"	1

Item No.	Part No.	Description	Qty
15	Z42807	Sprocket, #550 x 6 x 1" w/ Key	1
16	Z46532	Key, 1/4" x 1/4" x 1-1/2"	1
17	Z72231	Hex Lock Nut, 3/8NC	2
18	Z72251	Hex Lock Nut, 1/2NC	8
19	Z72263	Hex CTR-lock Nut, 5/8NC	1
20	Z72551	Serrated Flange Locknut, 1/2NC	3
21	Z74112	Set Screw, 1/4NF x 1/4"	2
22	Z74121	Set Screw, 5/16NC x 3/8"	2
23	Z75571	Shoulder Bolt, 3/4" x 1-1/2"	1
24	Z76234	Carriage Bolt, 3/8NC x 1-1/2"	2
25	Z76253	Carriage Bolt, 1/2NC x 5" Full Threads	1
26	Z76254	Carriage Bolt, 1/2NC x 5-1/2" Full Threads	3

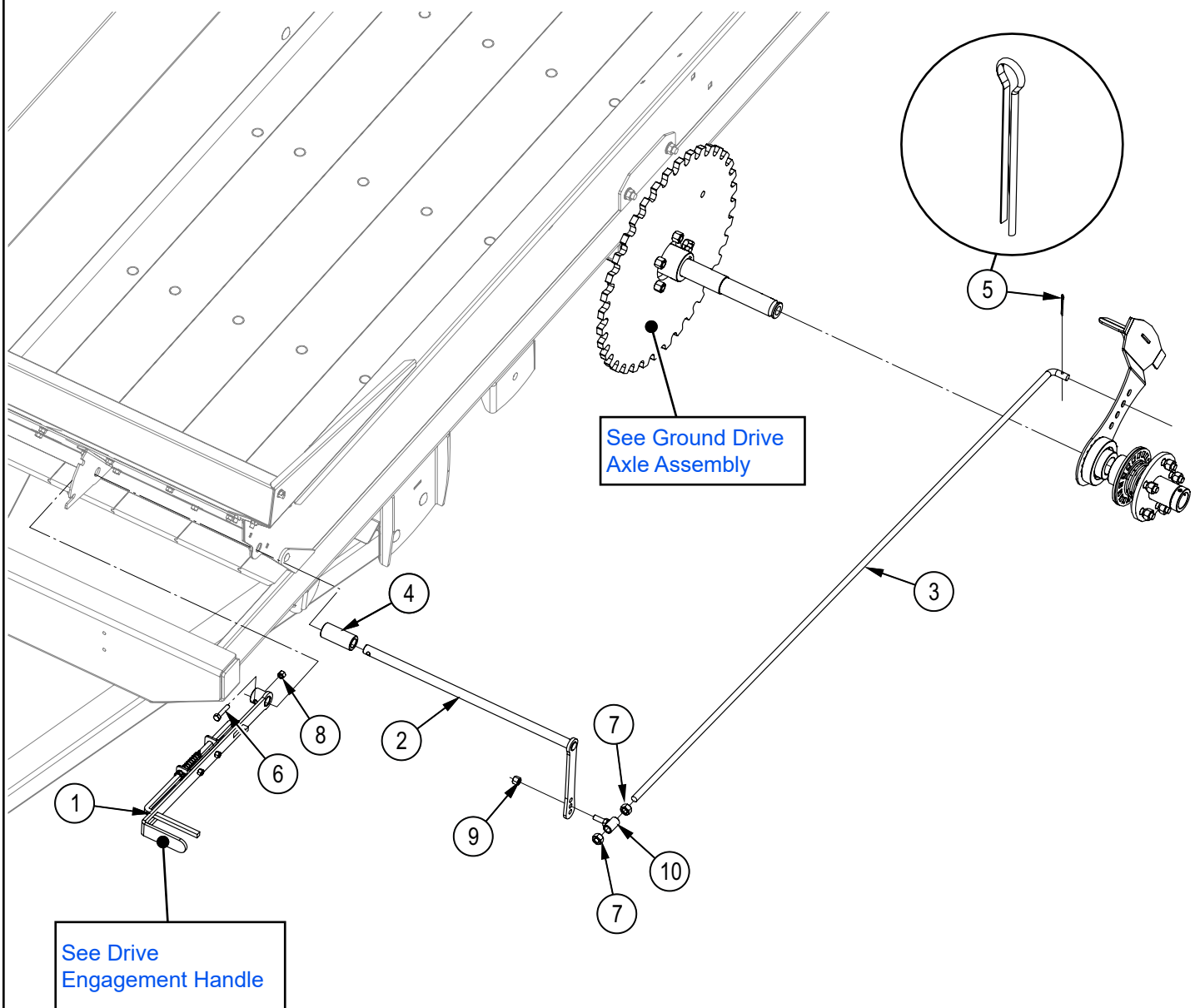
Ground Drive Axle Assembly



Item No.	Part No.	Description	Qty
1	7014W451	Arm, Drive Chain Deflector	1
2	7012M252	Axle, Ground Drive	1
3	7014L452	Driver, GD Ratchet LH	1
4	7014L468	Driver, GD Ratchet RH	1
5	7014M456	Collar, Wheel Stop	2
6	Z21901	Ball Bearing, CSA208-24 x Taper Lock	1
7	Z32402	Comp Spring, 3" OD x 4-1/2" x 0.145"	2
8	Z46553	Key, 3/8" x 3/8" x 1"	2
9	Z46555	Key, 3/8" x 3/8" x 2"	1
10	Z71615	Hex Bolt, 5/8NC x 1-1/2"	4
11	Z72261	Hex Lock Nut, 5/8NC	4

Item No.	Part No.	Description	Qty
12	Z72931	Lug Nut, 1/2NF	10
13	Z74121	Set Screw, 5/16NC x 3/8"	4
14	Z74131	Set Screw, 3/8NC x 3/8"	4
15	Z91305	7.60-15SL 6PR American Farmer RH	1
16	Z91306	7.60-15SL 6PR American Farmer LH	1
17	Z24101	Pillow Block, UCP208-24	2
18	7014W455	Assy, Main Ground Drive Sprocket	1
19	7014W460	Hub, 5-Bolt Ground Drive	2
20	7014W454	Reciever, GD Ratchet	2

Ground Drive Engagement

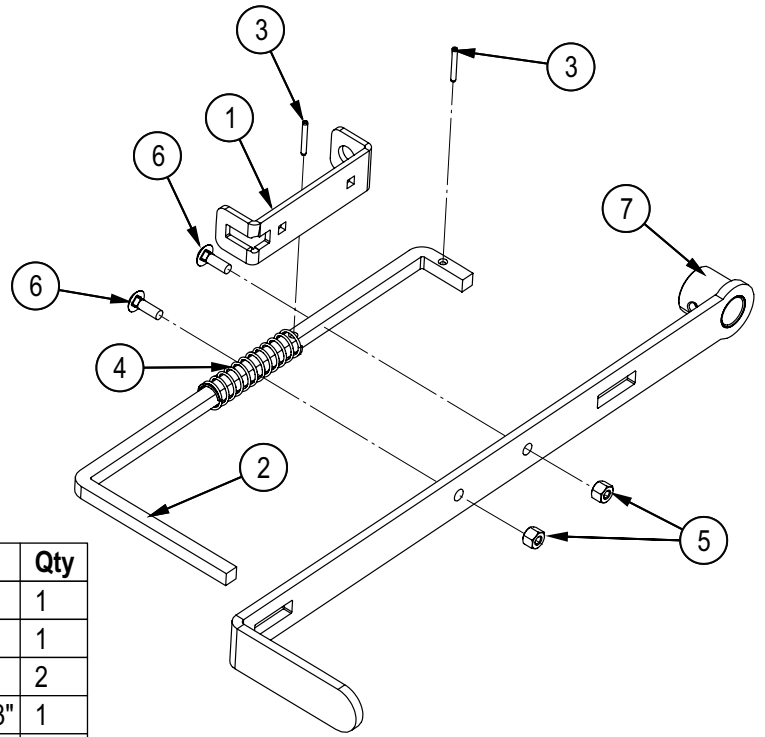


See Drive Engagement Handle

See Ground Drive Axle Assembly

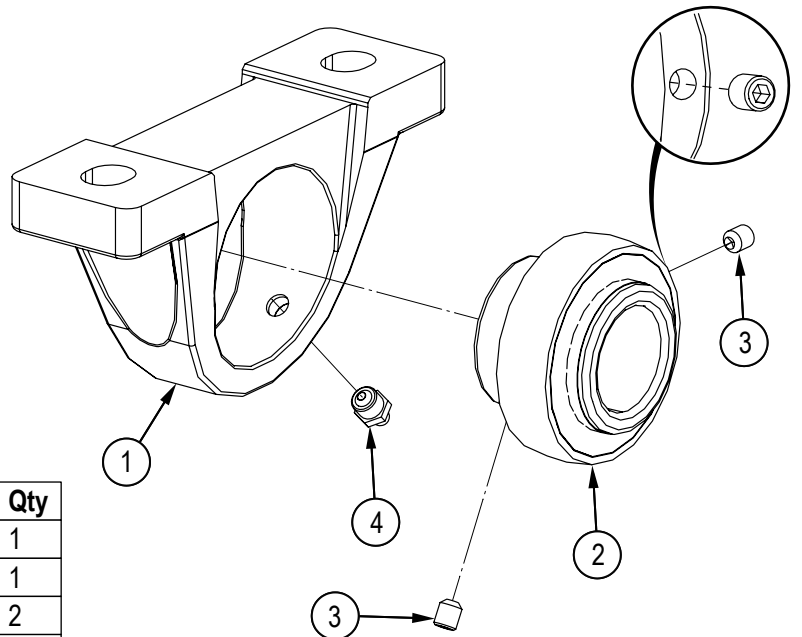
Item No.	Part No.	Description	Qty
1	7014A450	Handle, Drive Engagement	1
2	7012W252	Rod, Drive Engagement Connection	1
3	7012S251	Engaging Rod	1
4	7014M459	Engaging Shaft Spacer	1
5	Z12300	Cotter Pin 3/16 X 2-1/2	1
6	Z71215	Hex Bolt, 5/16NC x 1-1/2"	1
7	Z72151	Hex Nut, 1/2NC	2
8	Z72221	Hex Lock Nut, 5/16NC	1
9	Z72231	Hex Lock Nut, 3/8NC	1
10	7014W458	Joint, Engagement Linkage	1

Drive Engagement Handle



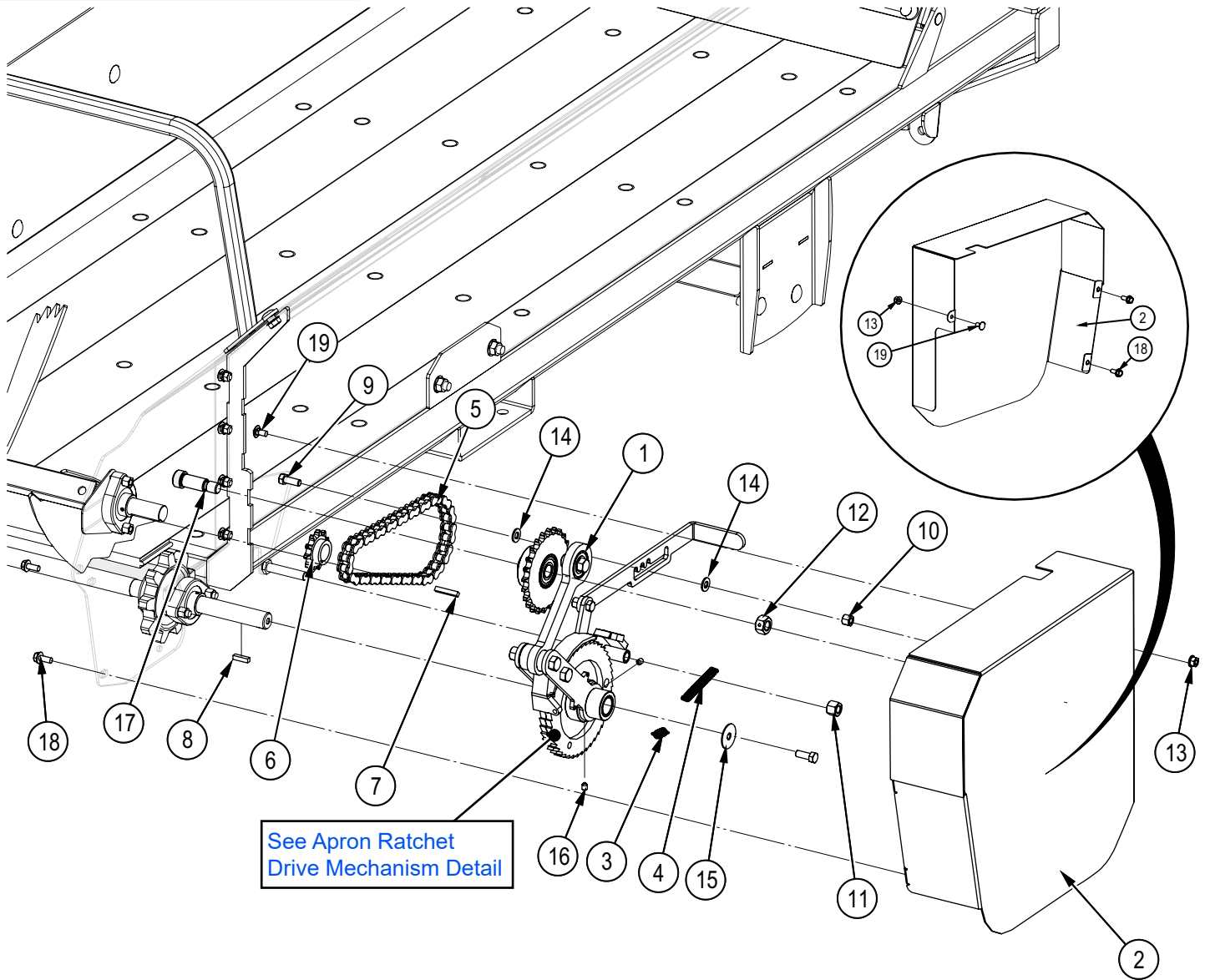
Item No.	Part No.	Description	Qty
1	7014L465	Engaging Arm Guide	1
2	7014S450	Latch Rod	1
3	Z14131	Roll Pin, 1/8" x 1"	2
4	Z32301	Comp Spring, 0.720" OD x 3" x 0.063"	1
5	Z72211	Hex Lock Nut, 1/4NC	2
6	Z76211	Carriage Bolt, 1/4NC x 3/4"	2
7	7014W453	Handle, Engagement	1

Pillow Block



Item No.	Part No.	Description	Qty
1	Z24101-1	Housing, P208 for Z24101	1
2	Z24101-2	Bearing Insert, UC208-24 for Z24101	1
3	Z74122	Set Screw, 5/16NF x 3/8"	2
4	Z29201	Grease Fitting, MP02	1

Apron Chain Ratchet Parts

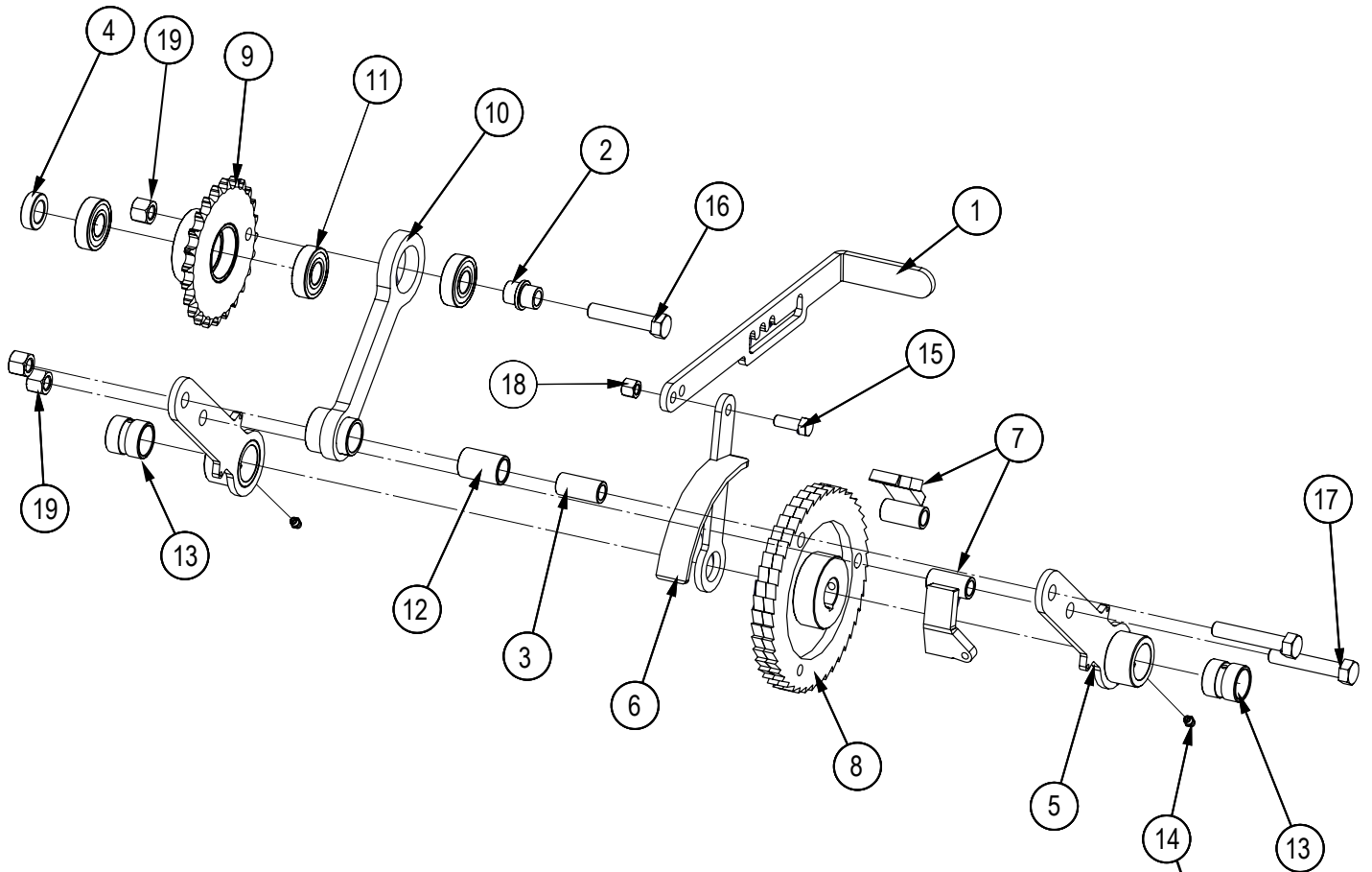


See Apron Ratchet Drive Mechanism Detail

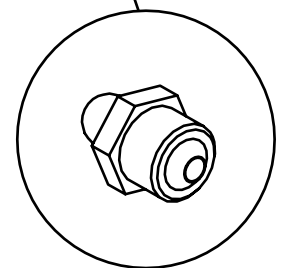
Item No.	Part No.	Description	Qty
1	7015A507	Apron Ratchet Drive Mechanism	1
2	7015W518	Shield, Apron Drive	1
3	Z31201	Ext Spring, 1/2" OD x 1-1/2" x .048"	1
4	Z31304	Ext Spring, 1/2" OD x 2-1/2" x .063"	1
5	Z42141	Roller Chain, #50 x 22	1
6	Z42803	Sprocket, #50 x 11 x 1"	1
7	Z46532	Key, 1/4" x 1/4" x 1-1/2"	1
8	Z46533	Key, 1/4" x 1/4" x 1"	1
9	Z71310	Hex Bolt, 3/8NC x 1"	2
10	Z72231	Hex Lock Nut, 3/8NC	1

Item No.	Part No.	Description	Qty
11	Z72251	Hex Lock Nut, 1/2NC	1
12	Z72263	Hex CTR-lock Nut, 5/8NC	1
13	Z72521	Serrated Flange Locknut, 5/16NC	1
14	Z73131	SAE Washer, 3/8"	2
15	Z73232	Extra Wide Washer, 3/8"	1
16	Z74121	Set Screw, 5/16NC x 3/8"	2
17	Z75571	Shoulder Bolt, 3/4" x 1-1/2"	1
18	Z76121	Flange Bolt, 5/16NC x 3/4"	2
19	Z76222	Carriage Bolt, 5/16NC x 5/8"	1

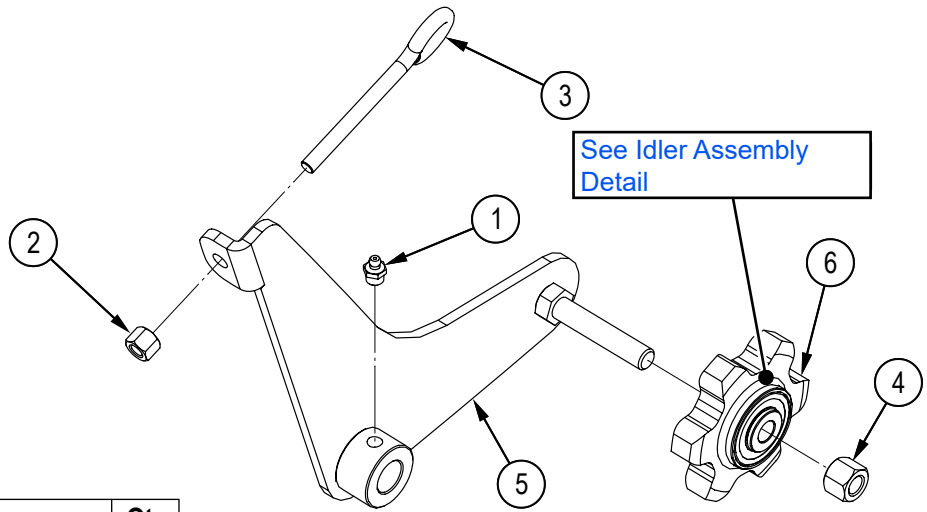
Apron Ratchet Drive Mechanism



Item No.	Part No.	Description	Qty
1	7015L524	Handle, Ratchet Speed Set	1
2	7015M512	Flange Bushing	1
3	7015M514	Bushing, Link Arm Bolt	1
4	7015M517	Bolt Spacer	1
5	7015W510	Arm, Apron Ratchet Drive	2
6	7015W511	Slide, Speed Adjuster	1
7	7015W512	Dog, Ratchet	2
8	7015W513	Ratchet, Apron Drive	1
9	7015W514	#50 24Tooth Sprocket Hub	1
10	7015W515	Arm, Ratchet Drive Link	1
11	Z21204	Ball Bearing, 1635-2RS x Self Aligning	3
12	Z26201	Bronze Bushing, 3/4" ID x 1" OD x 1-1/2" Long	1
13	Z26303	Bronze Bushing, 1" ID x 1-1/4" OD x 1-1/4" Long Grooved OD	2
14	Z29202	Grease Fitting, 1/4NF	2
15	Z71310	Hex Bolt, 3/8NC x 1"	1
16	Z71525	Hex Bolt, 1/2NC x 2-1/2"	1
17	Z71527	Hex Bolt, 1/2NC x 2-3/4"	2
18	Z72231	Hex Lock Nut, 3/8NC	1
19	Z72251	Hex Lock Nut, 1/2NC	3

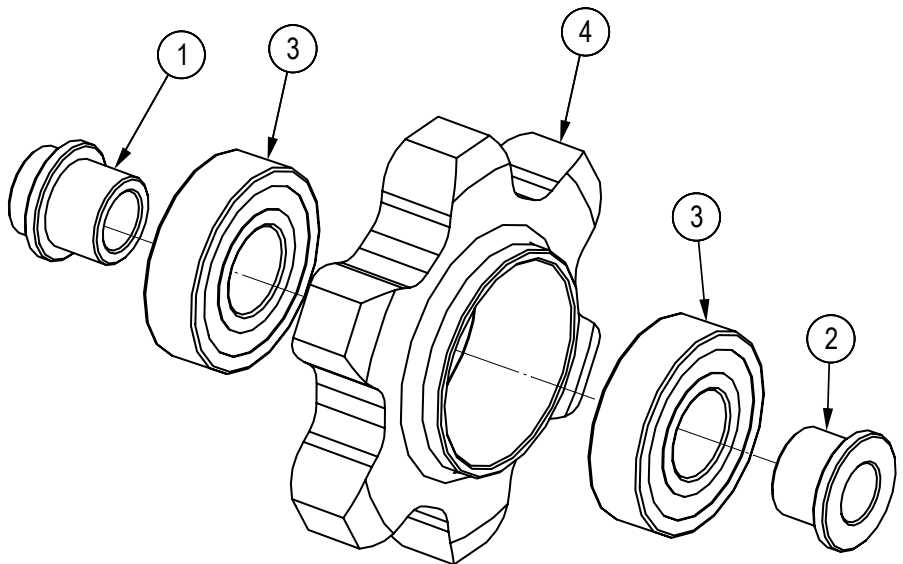


Drive Chain Tensioner



Item No.	Part No.	Description	Qty
1	Z29201	Grease Fitting, MP02	1
2	Z72231	Hex Lock Nut, 3/8NC	1
3	Z76531	Eye Bolt, 3/8NC x 3-1/2"	1
4	Z72251	Hex Lock Nut, 1/2NC	1
5	7014W459	Arm, Tensioner	1
6	7014A453	Idler Assembly, #550 Chain	1

Idler Assembly

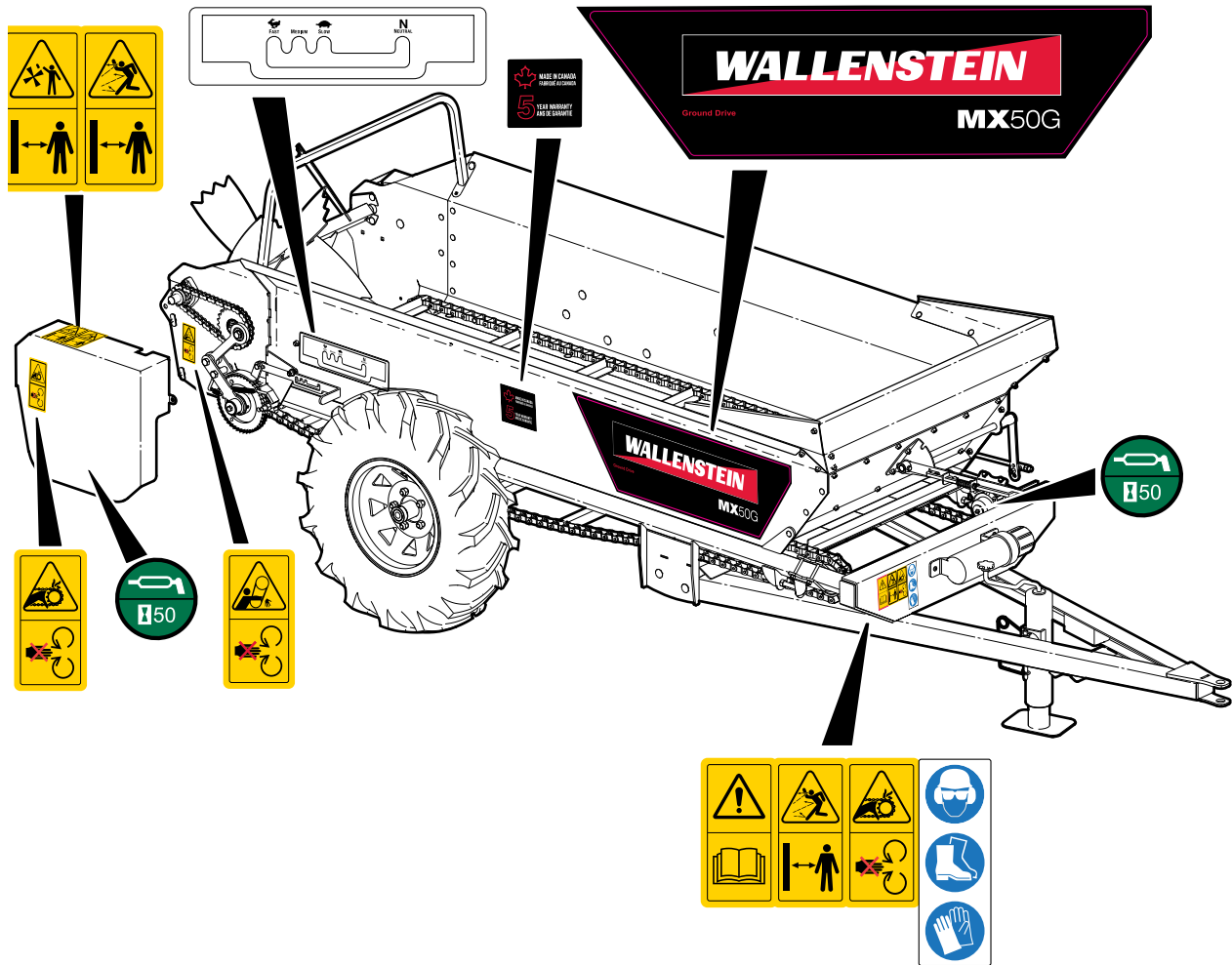


Item No.	Part No.	Description	Qty
1	7014M450	Bushing, 1/2x3/4 Flanged	1
2	7014M468	Bushing, 1/2x3/4x5/8Lg Flanged	1
3	Z21204	Ball Bearing, 1635-2RS x Self Aligning	2
4	Z42806	Sprocket, #550 x 6 x 1-3/4"	1

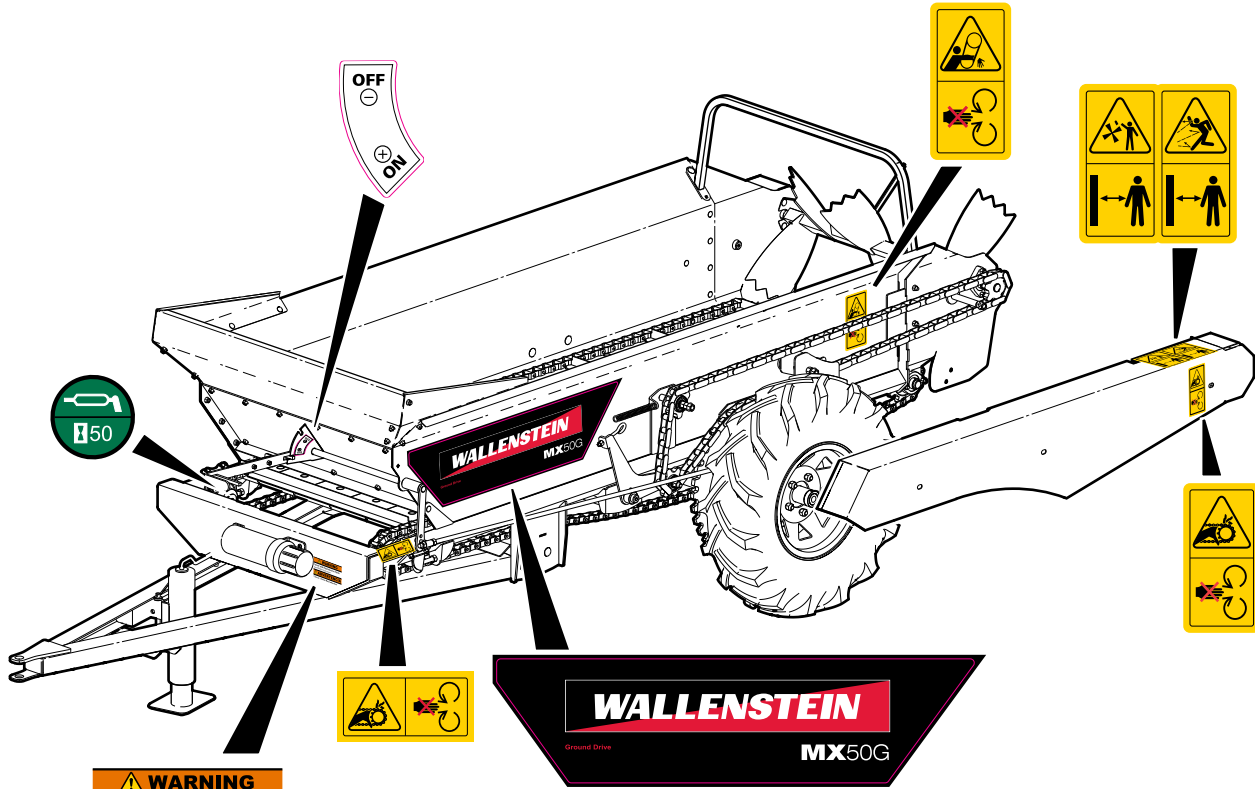
Decal Layout

IMPORTANT! If parts are replaced that have safety signs on them, new signs must be applied. Safety signs must always be replaced if they become damaged, are removed, or become illegible.

Safety signs are included in the product decal kit available from your authorized dealer. Decals are not available separately.

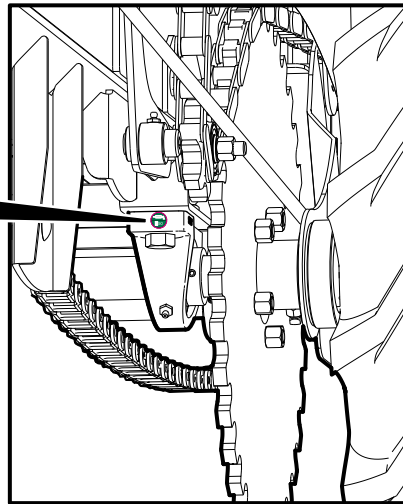


Decal Layout



WARNING
 Cancer and Reproductive Harm
www.P65Warnings.ca.gov
ADVERTENCIA
 Cáncer y Daño Reproductivo

E50
 Both Sides




Common Bolt Torque Values

Checking Bolt Torque

The tables shown give correct torque values for various bolts and capscrews. Tighten all bolts to the torque values specified in the table, unless indicated otherwise. Check tightness of bolts periodically.

IMPORTANT! If replacing hardware, use fasteners of the same grade.

IMPORTANT! Torque figures indicated in the table are for non-greased or non-oiled threads. Do not grease or oil threads unless indicated otherwise. When using a thread locker, increase torque values by 5%.

 **NOTE:** Bolt grades are identified by their head markings.

Imperial Bolt Torque Specifications

Bolt Diameter	Torque Value					
	SAE Gr. 2		SAE Gr. 5		SAE Gr. 8	
	lbf•ft	N•m	lbf•ft	N•m	lbf•ft	N•m
1/4"	6	8	9	12	12	17
5/16"	10	13	19	25	27	36
3/8"	20	27	33	45	45	63
7/16"	30	41	53	72	75	100
1/2"	45	61	80	110	115	155
9/16"	60	95	115	155	165	220
5/8"	95	128	160	215	220	305
3/4"	165	225	290	390	400	540
7/8"	170	230	420	570	650	880
1"	225	345	630	850	970	1320



SAE Gr. 2



SAE Gr. 5



SAE Gr. 8

Metric Bolt Torque Specifications

Bolt Diameter	Torque Value			
	Gr. 8.8		Gr. 10.9	
	lbf•ft	N•m	lbf•ft	N•m
M3	0.4	0.5	1.3	1.8
M4	2.2	3	3.3	4.5
M6	7	10	11	15
M8	18	25	26	35
M10	37	50	52	70
M12	66	90	92	125
M14	83	112	116	158
M16	166	225	229	310
M20	321	435	450	610
M30	1,103	1 495	1,550	2 100



8.8




10.9

Wheel Lug Torque Values

It is extremely important safety procedure to apply and maintain proper wheel mounting torque on your trailer axle. Torque wrenches are the best method to assure the proper amount of torque is being applied to a fastener.

Wheel lugs should be torqued before first road use and after each wheel removal. Check and re torque after the first 10 miles (16 km), 25 miles (40 km), and again at 50 miles (80 km). Check periodically thereafter.

 **NOTE:** *Wheel lugs must be applied and maintained at the proper torque levels to prevent loose wheels, broken studs, and possible dangerous separation of wheels from your axle.*

- Start all lugs by hand to prevent cross threading.
- Tighten lugs in sequence, per wheel lug torque sequence chart.
- The tightening of the fasteners should be done in stages. Following the recommended sequence, tighten fasteners per wheel torque requirements chart.

Wheel Lug Nut Torque

Wheel Size	Units	1st Stage	2nd Stage	3rd Stage
8"	lbf•ft N•m	12–20 16–26	30–35 39–45.5	45–55 58.5–71.5
12"	lbf•ft N•m	20–25 26–32.5	35–40 45.5–52	50–60 65–78
13"	lbf•ft N•m	20–25 26–32.5	35–40 45.5–52	50–60 65–78
14"	lbf•ft N•m	20–25 26–32.5	50–60 65–78	90–120 117–156
15"	lbf•ft N•m	20–25 26–32.5	50–60 65–78	90–120 117–156
16"	lbf•ft N•m	20–25 26–32.5	50–60 65–78	90–120 117–156

Wheel Lug Torque Pattern

