



WX310 Tractor Mount Splitter
Parts Manual
Prior to S/N 2310487



Foreword

EMB Mfg. has prepared this parts manual to assist customers in ordering quality OEM replacement parts.

Proper and regular service and replacing old, worn or broken parts with the correct Wallenstein parts are essential to prolonging the life of your Wallenstein product. Please refer to this manual before ordering any replacement parts.

All information contained in this parts manual is based on the latest product specification available at the time of printing this manual. If your product differs from the specifications contained within this manual contact EMB Mfg. for information.

EMB reserves the right to alter specifications on their products at any time.

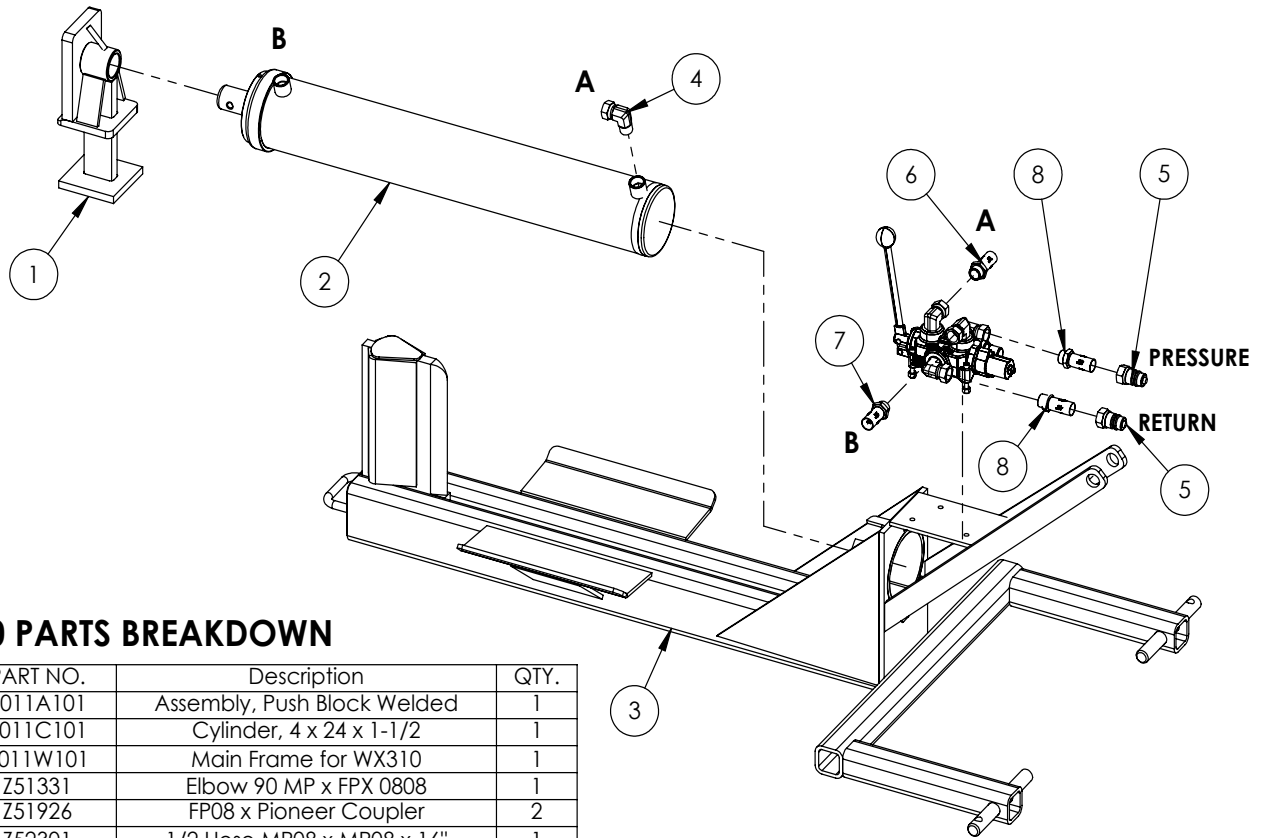
Reproduction of this parts manual of any kind is prohibited without prior written permission from EMB Mfg.

Note: Products with factory installed light kits will have a VIN number included. The last six numbers of this VIN number are the splitters serial number

Example: 2E9US1112BSXXXXXX

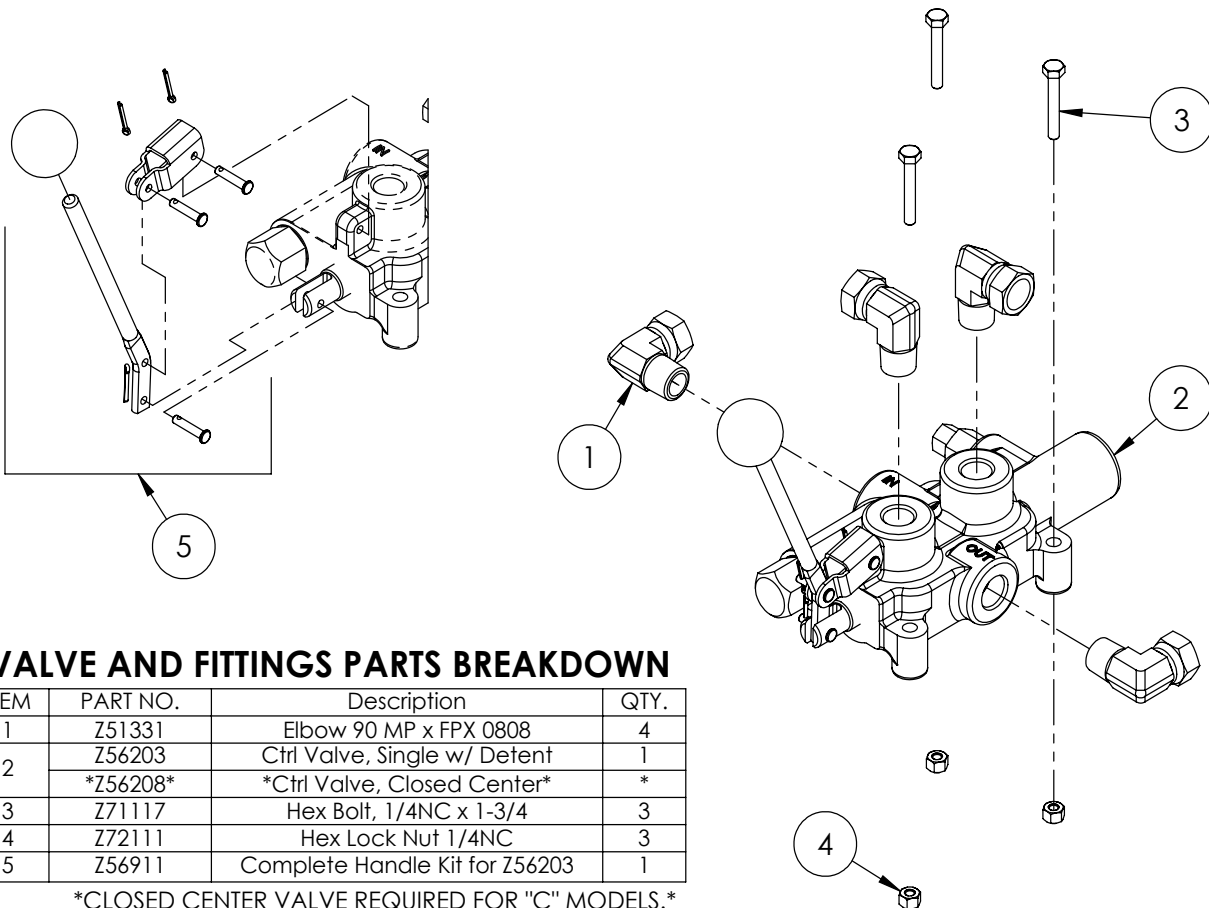
Table of Contents

Main Parts	4
Valve and Fittings	4
Valve	5
Cylinder	6
Decal Breakdown	6



WX310 PARTS BREAKDOWN

ITEM	PART NO.	Description	QTY.
1	2011A101	Assembly, Push Block Welded	1
2	2011C101	Cylinder, 4 x 24 x 1-1/2	1
3	2011W101	Main Frame for WX310	1
4	Z51331	Elbow 90 MP x FPX 0808	1
5	Z51926	FP08 x Pioneer Coupler	2
6	Z52301	1/2 Hose MP08 x MP08 x 16"	1
7	Z52305	1/2 Hose, MP08 x MP08 x 24"	1
8	Z52310	1/2 Hose MP08 x MP08 x 48"	2

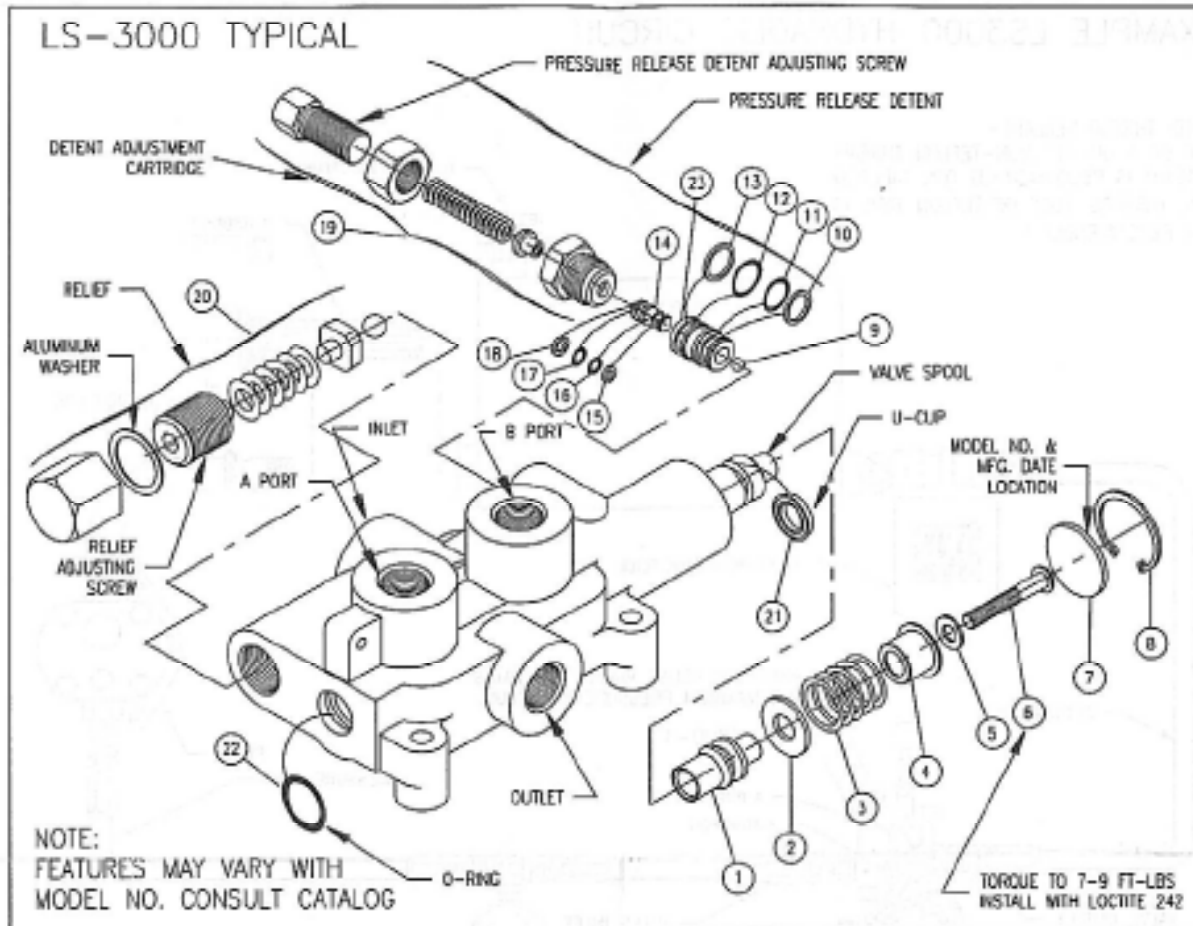


VALVE AND FITTINGS PARTS BREAKDOWN

ITEM	PART NO.	Description	QTY.
1	Z51331	Elbow 90 MP x FPX 0808	4
2	Z56203	Ctrl Valve, Single w/ Detent	1
	Z56208	*Ctrl Valve, Closed Center*	*
3	Z71117	Hex Bolt, 1/4NC x 1-3/4	3
4	Z72111	Hex Lock Nut 1/4NC	3
5	Z56911	Complete Handle Kit for Z56203	1

CLOSED CENTER VALVE REQUIRED FOR "C" MODELS.

Z56203 Valve Breakdown



PLEASE NOTE:
BEFORE REMOVING VALVE SPOOL OR SPOOL SLEEVE REMOVE DETENT ADJUSTING CART., DETENT PISTON AND STEEL BALL. INSTALL SPOOL AND SPOOL SLEEVE BEFORE REINSTALLING STEEL BALL.

PRESSURE RELEASE DETENT
This feature provides a pressure release detent for the spool 'out' (handle in) position. When the spool is manually placed in the detent position oil is directed to the 'B' work port (the port away from the handle). When the pressure in the 'B' port reaches a preset level the detent will release and the spool will center. The factory setting is 1400 psi. The detent release pressure is adjustable by loosening the jam nut and turning the adjusting screw. Turning the adjusting screw clockwise will increase the detent release pressure and counterclockwise will decrease the detent release pressure. NOTE: if the detent release pressure is set too high the spool will not center, if the pressure is too low the detent will not hold. If cap screw item 6 becomes loose detent will not function properly.

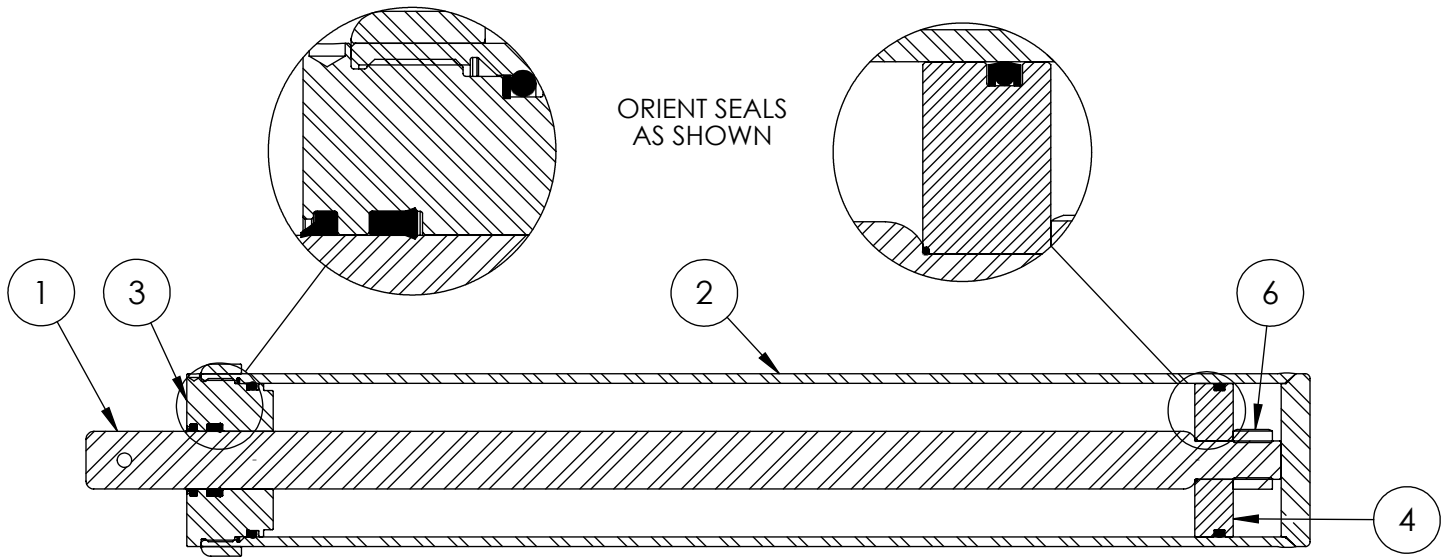
RELIEF VALVE
An adjustable ball spring relief valve is standard on all LS-3000 valves. The standard factory setting is 2250 psi @ 3 gpm and 120F. Other settings can be specified. The relief pressure is adjusted by removing cap nut, and turning the adjusting screw. Turning the adjusting screw clockwise will increase the pressure and counterclockwise will decrease the pressure (a pressure gauge must be installed in the inlet line whenever the relief pressure is adjusted). Do not backout adjusting screw to the point it falls out.



WARNING: OVERPRESSURE MAY CAUSE SUDDEN AND UNEXPECTED FAILURE OF A COMPONENT IN THE HYDRAULIC SYSTEM RESULTING IN SERIOUS PERSONAL INJURY. ALWAYS USE A GAUGE WHEN ADJUSTING A RELIEF VALVE.

LS-3000 KITS AND CARTRIDGES

ITEM	QTY	PART NO.	DESCRIPTION
1	1	670700819	DETENT SLEEVE
2	1	670300833	WASHER
3	1	670300820	SPRING
4	1	671400810	STOP CUP
5	1	670300826	WASHER
6	1	220008453	CAP SCREW
7	1	670500832	SPACER
8	1	230001125	SNAP RING
9	1	230009809	STEEL BALL
10	1	240019013	BACK-UP WASHER
11	1	240000813	O-RING
12	1	240000814	O-RING
13	1	240019014	BACK-UP WASHER
14	1	671100811	PISTON
15	1	240019007	BACK-UP WASHER
16	1	240016067	O-RING
17	1	240016068	O-RING
18	1	240019008	BACK-UP WASHER
19	1	660330002	DETENT ADJUSTING CART.
20	1	660125004	RELIEF KIT
21	1	240016086	U-CLIP
22	1	240000210	O-RING
23	1	671100812	PISTON SLEEVE
		660530001	LS-3000 SEAL KIT
		660125004	RELIEF KIT
		660330002	DETENT ADJUSTING CART.
		660130007	PRESSURE RELEASE DETENT KIT
		660130001	COMPLETE HANDLE KIT



4" x 24" STROKE CYLINDER PARTS

ITEM	PART NO.	Description	QTY.
1	2011C1012	Rod, 1-1/2 x 1	1
2	2011C1014	Barrel, 4"	1
3	G400-150SA	4" Bore x 1-1/2" Rod Gland	1
4	P100-400SA	4" Bore Piston	1
5	SLK-4015	Seal Kit, 4 x 1-1/2	1
6	Z72292G8	Hex Lock Nut 1NF Grade 8	1

WX310 Splitter Decals

Z94056



Z94067



Z94066



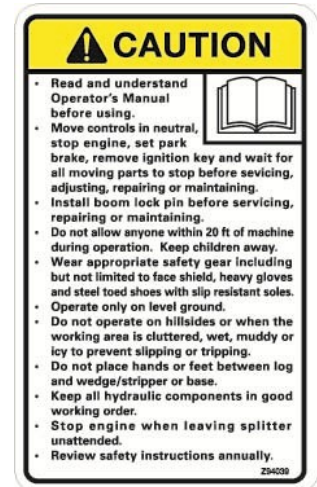
Z94019



Z94040

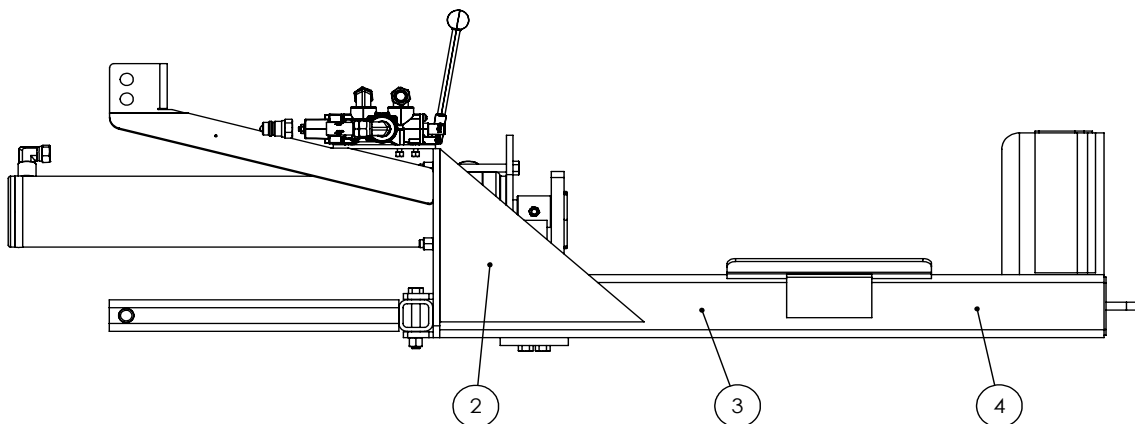
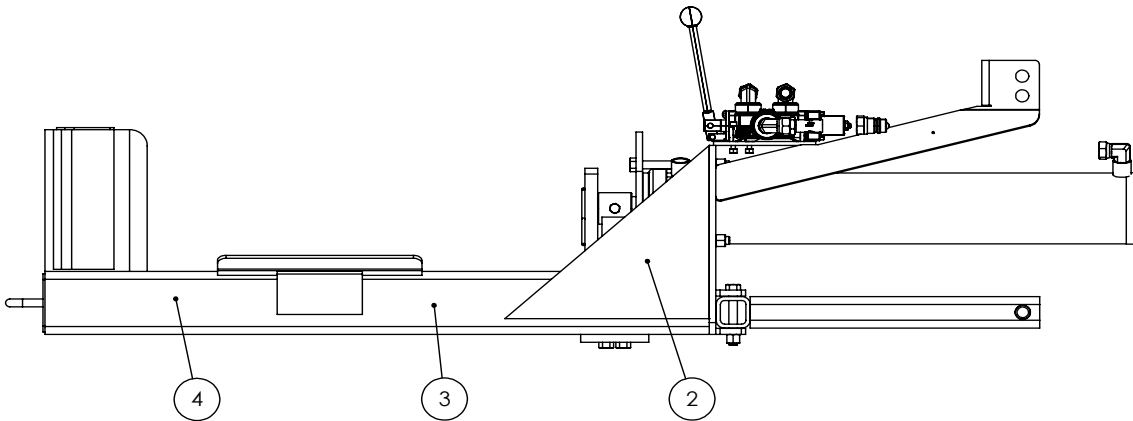
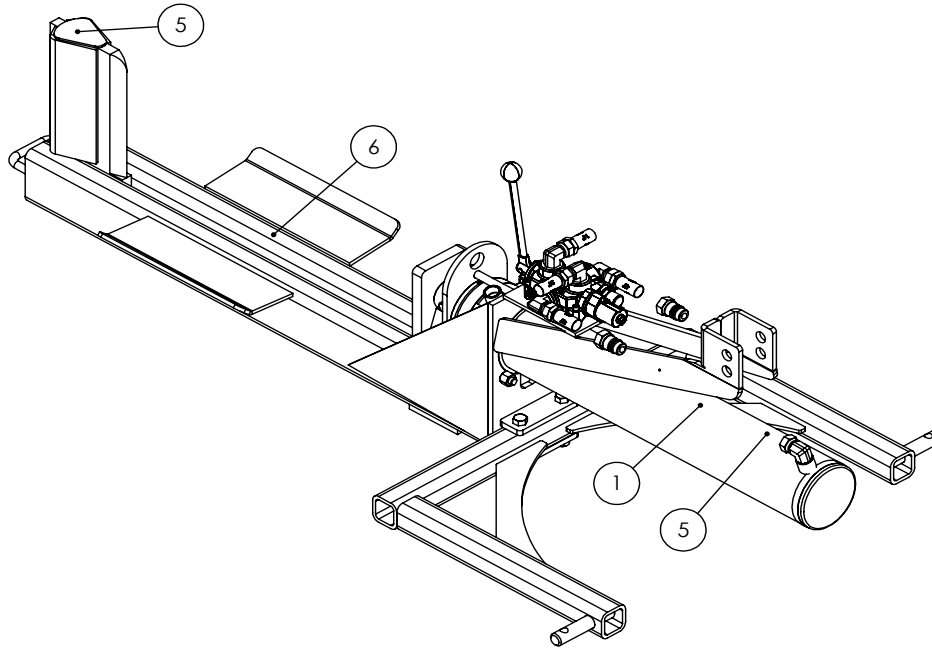


Z94039



WX310 DECAL BREAKDOWN

ITEM	PART NO.	DESCRIPTION	QTY
1	Z94039	CAUTION - Read Manual	1
2	Z94040	WARNING - Moving Wedge	2
3	Z94067	Clear Guide	2
4	Z94056	Wallenstein	2
5	Z94019	Made in Canada	2
6	Z94066	Apply Oil or Grease	1





WALLENSTEIN Products Manufactured by:

EMB MFG Inc.

4144 Boomer Line
St. Clements, Ontario
Canada N0B 2M0
Phone: 1-877-695-9283
Fax: 519-699-4146
www.embmfg.com