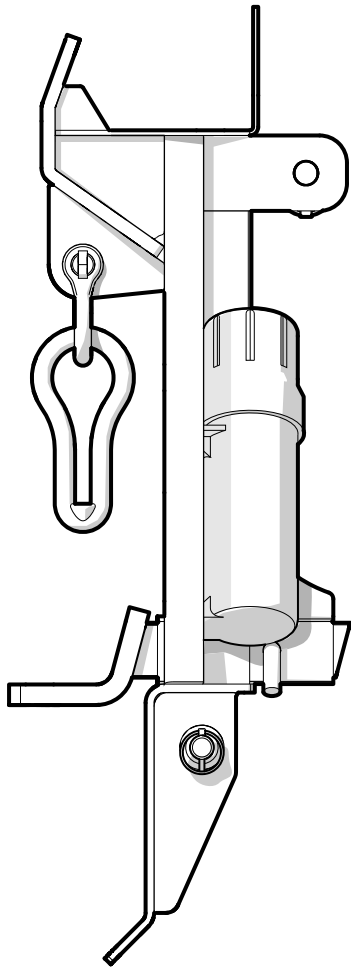


PARTS MANUAL

Serial Number 5P204 & up

FXP20 SKIDDING PLATE



Foreword

This Wallenstein parts manual is prepared to assist customers in ordering quality OEM replacement parts.

Regular maintenance combined with replacing old, worn or broken parts with the correct OEM parts is essential in prolonging the life of your Wallenstein product. Refer to this manual to identify replacement parts.

To order parts, contact your Wallenstein dealer or distributor. Have the product model and serial number handy.

If your dealer is no longer available, please go to our website: <http://wallensteinequipment.com> and click on the [Dealer Locator](#) to find the nearest dealer.

All information contained in this parts manual is current as per the revision date at the bottom of the page. Wallenstein reserves the right to change product specifications at any time without notice.

If your product specifications differ from those contained in this manual, contact Wallenstein for current information.

Reproduction of information in this parts manual is prohibited without prior written permission from Wallenstein Equipment Inc.

Wallenstein Equipment Inc. • © 2019

WARNING!

Refer to the operators manual for safe operation and maintenance.

Maintenance should be performed by trained personnel only.

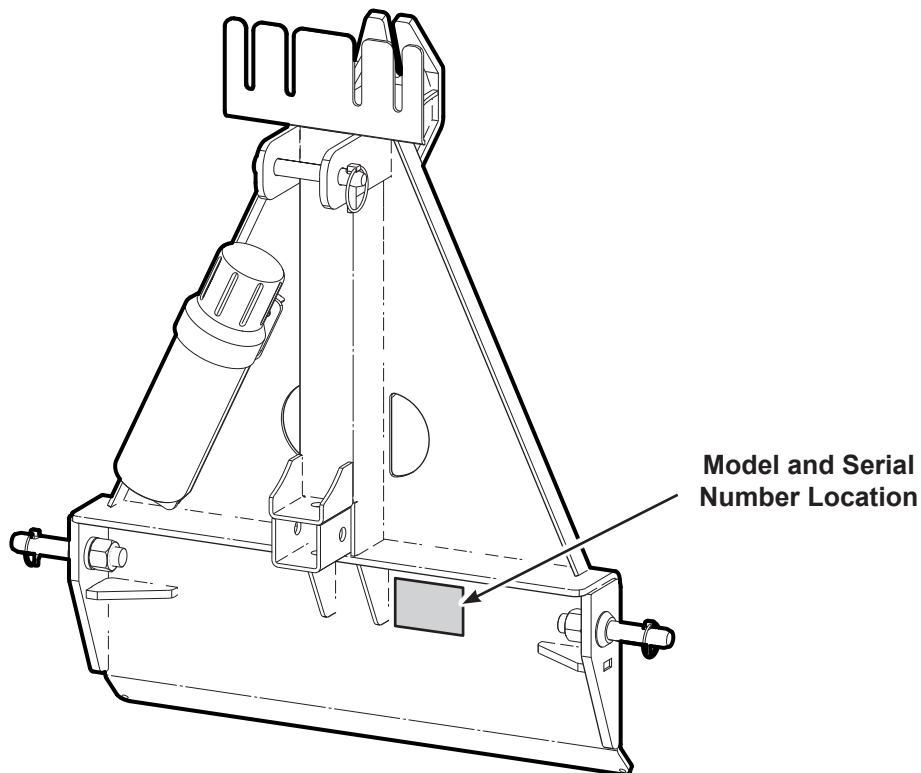
Serial Number Location

Always provide the model and serial number of your Wallenstein product when ordering parts or requesting service or other information. This information is found on the product information plate as shown below.

Record your product information here for future reference.

Model _____

Serial Number _____

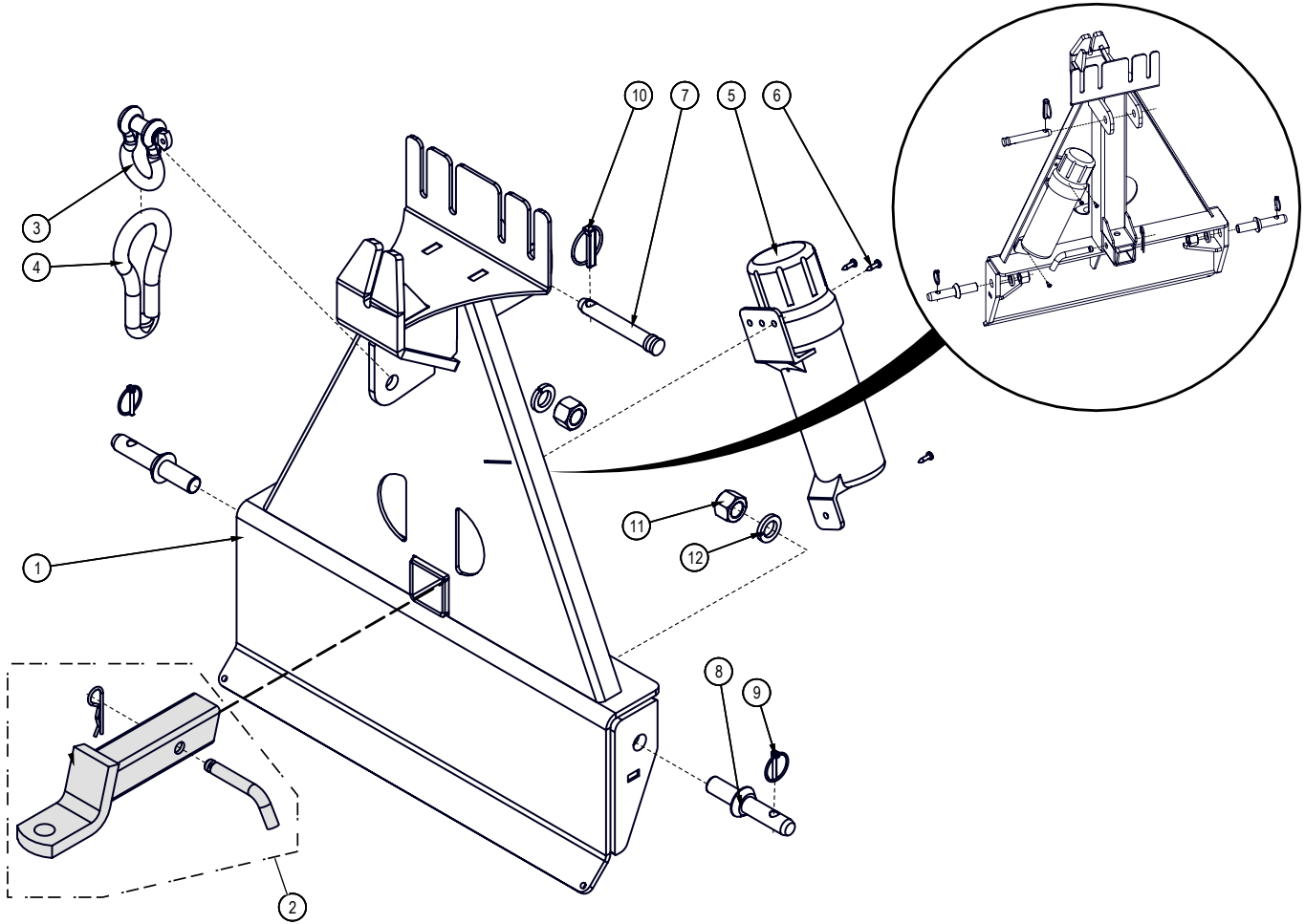


www.wallensteinequipment.com

Contents

Main Assembly	4
Decal Layout.....	5
Accessories	6
Common Bolt Torque Values	7

Main Assembly

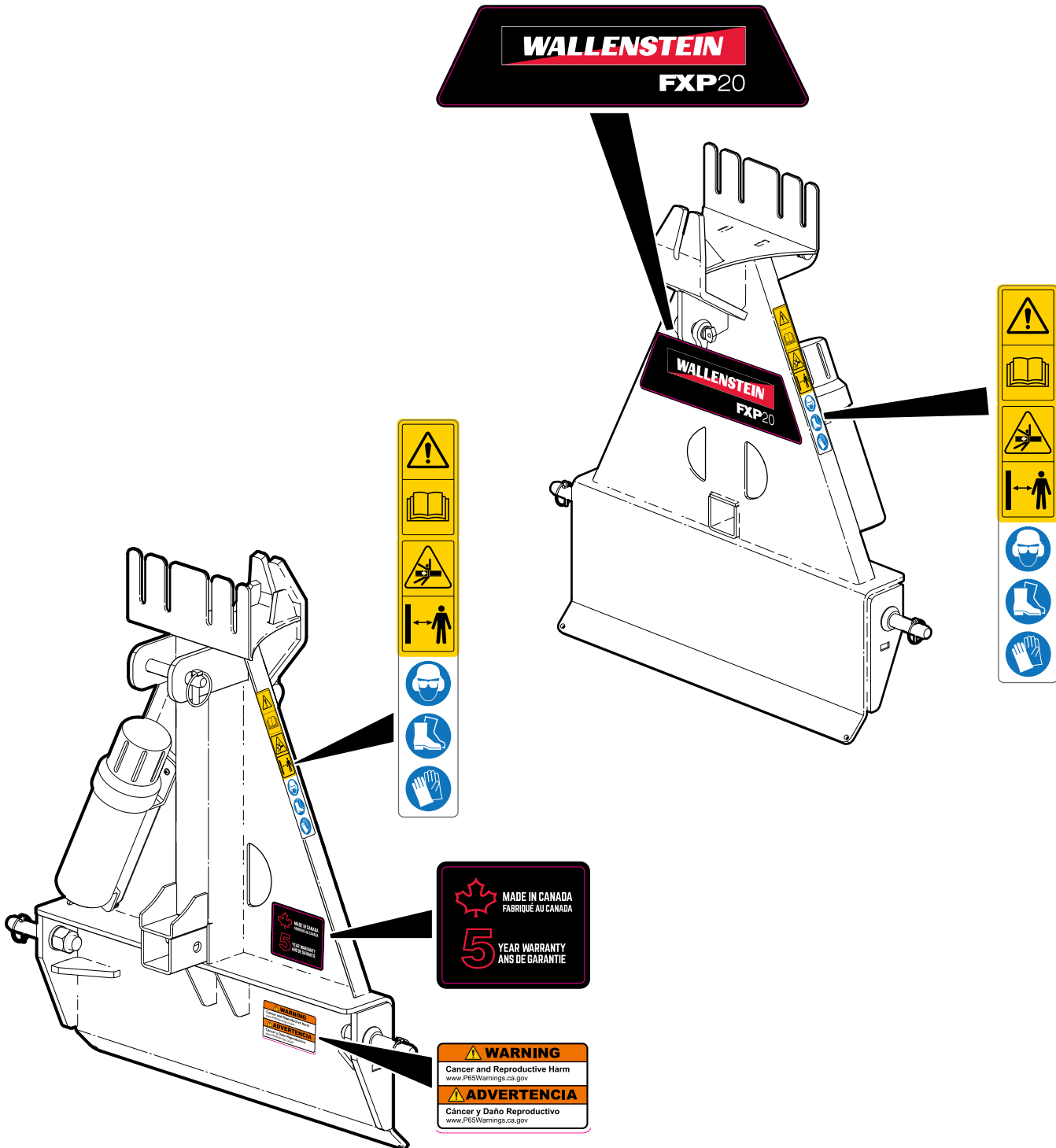


Item	Part No.	Description	Qty
1	5014W401	Main Frame	1
2	Z91641	Ball Mount Kit, 2" Ball x 2"	1
3	Z92312	Anchor Shackle, 5/8"	1
4	Z92313	Saddle Grab, 3/4"	1
5	Z96503	Manual Tube, 3-1/2" Short	1
6	Z76712	Self-tapping Screw, #10 x 3/4"	3
7	Z11122	Toplink Pin, 3/4" x 3-7/8"	1
8	Z11431	Implement Pin, 7/8" x 1-3/4" x 7/8NF	2
9	Z12110	Lynch Pin, 3/16"	2
10	Z12140	Lynch Pin, 7/16"	1
11	Z72282	Hex Lock Nut 7/8NF	2
12	Z73380	Spring Washer 7/8	2

Decal Layout

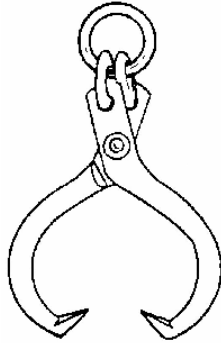
IMPORTANT! If parts are replaced that have safety signs on them, new signs must be applied. Safety signs must always be replaced if they become damaged, are removed, or become illegible.

Safety signs are included in the product decal kit available from your authorized dealer. Decals are not available separately.

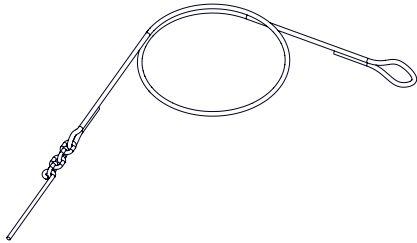


Accessories

Call your dealer for pricing and availability

**Logging Tongs – P/N Z99003**

- Heavy Duty Forged Ring Skidding Tongs
- Maximum Opening: 25"
- Minimum Opening: 4-1/2"
- Tough log skidding tongs are a quick and easy way to skid logs.

**5 ft (1.5 m) Synthetic Choker with Rod Chain End – P/N Z92125****7 ft (2.1 m) Synthetic Choker with Rod Chain End – P/N Z92126**

Synthetic rope chokers (braided UHMW) is a high strength polyethylene, lighter and easier to use than chain.


Common Bolt Torque Values

Checking Bolt Torque

The tables shown give correct torque values for various bolts and capscrews. Tighten all bolts to the torque values specified in the table, unless indicated otherwise. Check tightness of bolts periodically.

IMPORTANT! If replacing hardware, use fasteners of the same grade.

IMPORTANT! Torque figures indicated in the table are for non-greased or non-oiled threads. Do not grease or oil threads unless indicated otherwise. When using a thread locker, increase torque values by 5%.

 **NOTE:** Bolt grades are identified by their head markings.

Imperial Bolt Torque Specifications

Bolt Diameter	Torque Value					
	SAE Gr. 2		SAE Gr. 5		SAE Gr. 8	
	lbf•ft	N•m	lbf•ft	N•m	lbf•ft	N•m
1/4"	6	8	9	12	12	17
5/16"	10	13	19	25	27	36
3/8"	20	27	33	45	45	63
7/16"	30	41	53	72	75	100
1/2"	45	61	80	110	115	155
9/16"	60	95	115	155	165	220
5/8"	95	128	160	215	220	305
3/4"	165	225	290	390	400	540
7/8"	170	230	420	570	650	880
1"	225	345	630	850	970	1320



SAE Gr. 2



SAE Gr. 5



SAE Gr. 8

Metric Bolt Torque Specifications

Bolt Diameter	Torque Value			
	Gr. 8.8		Gr. 10.9	
	lbf•ft	N•m	lbf•ft	N•m
M3	0.4	0.5	1.3	1.8
M4	2.2	3	3.3	4.5
M6	7	10	11	15
M8	18	25	26	35
M10	37	50	52	70
M12	66	90	92	125
M16	166	225	229	310
M20	321	435	450	610
M30	1,103	1 495	1,550	2 100
M36	1,917	2 600	2,700	3 675



8.8



10.9