

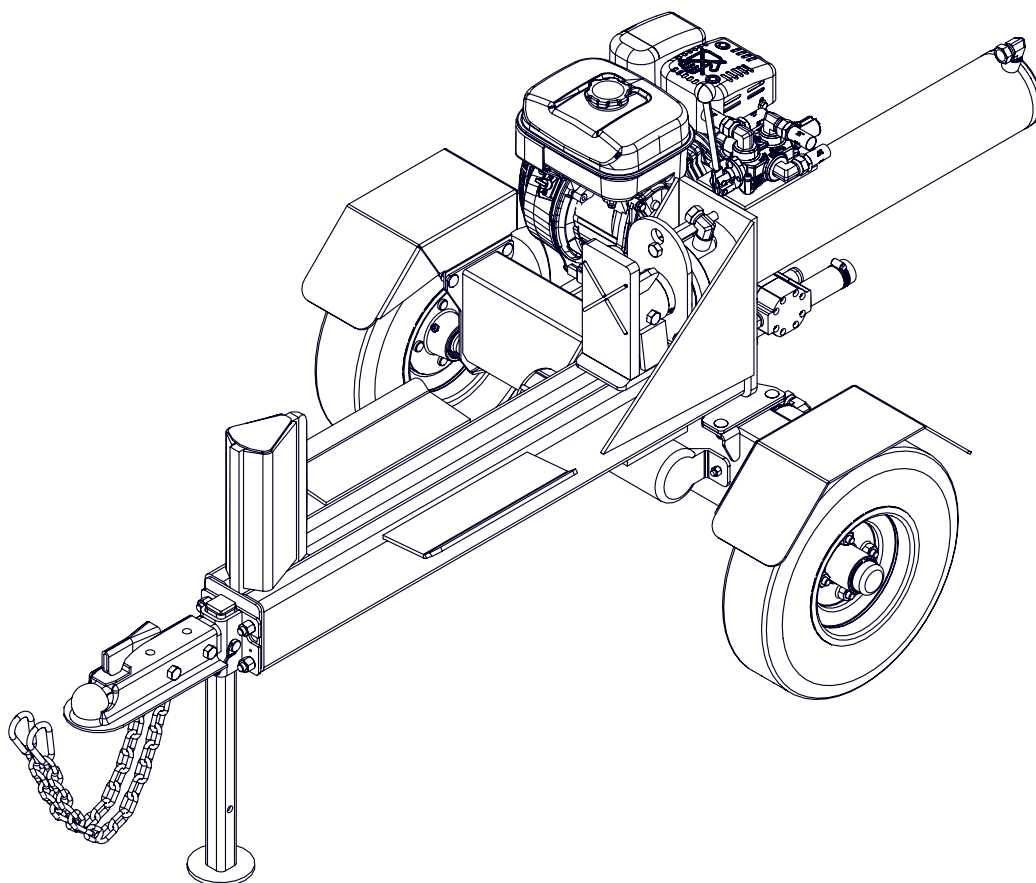


EMB Manufacturing Inc.  
4144 Boomer Line · St. Clements, On · N0B 2M0 · Canada  
Ph: (519) 699-9283 · Fax: (519) 699-4146  
www.wallensteinequipment.com

# WX615SU Trailer Log Splitter

## Parts Manual

Starting with S/N's  
S/N 2E9US1112ES280017 & After  
280017 & After



Refer to the operators  
manual for safe  
operation and  
maintenance

## Foreword

EMB Mfg. has prepared this parts manual to assist customers in ordering quality OEM replacement parts.

Proper and regular service and replacing old, worn or broken parts with the correct OEM parts are essential to prolonging the life of your EMB product. Please refer to this manual before ordering any replacement parts.

All information contained in this parts manual is based on the latest product specification available at the time of printing this manual. If your product differs from the specifications contained within this manual contact EMB Mfg. for information.

EMB reserves the right to alter specifications on their products at any time.

Reproduction of this parts manual of any kind is prohibited without prior written permission from EMB Mfg.

For parts and information please contact your dealer. If your dealer is no longer available please go to our website: <http://www.wallensteinequipment.com> and click on "FIND A DEALER NEAR YOU" for information on a local dealer.

## Table of Contents Page

**Bolt Torque..... 4**

**Hydraulic Fitting Torque ..... 5**

**Wheel Lug Torque ..... 5**

**Main Parts..... 6**

**Engine and Hydraulics Assembly ..... 7**

**Cylinder Assembly ..... 8**

**Valve Assembly ..... 8**

**Hub Assembly ..... 10**

**Light Kit Option..... 10**

**Hydraulic Schematic ..... 11**

**Hydraulic Hose List ..... 11**

**Label Layout..... 12**

**Accessories..... 13**

Maintenance should be performed by trained personnel only.



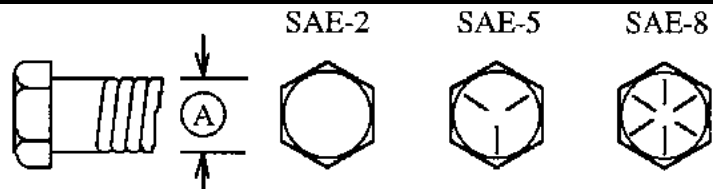
Refer to the operators manual for safe operation and maintenance

**Bolt Torque**

**CHECKING BOLT TORQUE**

The tables shown below give correct torque values for various bolts and capscrews. Tighten all bolts to the torques specified in chart unless otherwise noted. Check tightness of bolts periodically, using bolt torque chart as a guide. Replace hardware with the same strength bolt.

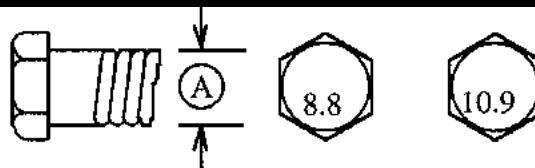
ENGLISH TORQUE SPECIFICATIONS						
Bolt Diameter "A"	Bolt Torque*					
	SAE 2 (N.m) (lb-ft)		SAE 5 (N.m) (lb-ft)		SAE 8 (N.m) (lb-ft)	
1/4"	8	6	12	9	17	12
5/16"	13	10	25	19	36	27
3/8"	27	20	45	33	63	45
7/16"	41	30	72	53	100	75
1/2"	61	45	110	80	155	115
9/16"	95	60	155	115	220	165
5/8"	128	95	215	160	305	220
3/4"	225	165	390	290	540	400
7/8"	230	170	570	420	880	650
1"	345	225	850	630	1320	970



Torque figures indicated above are valid for non-greased or non-oiled threads and heads unless otherwise specified. Therefore, do not grease or oil bolts or capscrews unless otherwise specified in this manual. When using locking elements, increase torque values by 5%.

\* Torque value for bolts and capscrews are identified by their head markings.

METRIC TORQUE SPECIFICATIONS				
Bolt Diameter "A"	Bolt Torque*			
	8.8 (N.m) (lb-ft)		10.9 (N.m) (lb-ft)	
M3	0.5	0.4	1.8	1.3
M4	3	2.2	4.5	3.3
M5	6	4	9	7
M6	10	7	15	11
M8	25	18	35	26
M10	50	37	70	52
M12	90	66	125	92
M14	140	103	200	148
M16	225	166	310	229
M20	435	321	610	450
M24	750	553	1050	774
M30	1495	1103	2100	1550
M36	2600	1917	3675	2710



### Hydraulic Fitting Torque

#### Tightening Flare Type Tube Fittings \*

1. Check flare and flare seat for defects that might cause leakage.
2. Align tube with fitting before tightening.
3. Lubricate connection and hand tighten swivel nut until snug.
4. To prevent twisting the tube(s), use two wrenches. Place one wrench on the connector body and with the second tighten the swivel nut to the torque shown.

Tube Size OD (in.)	Nut Size Across Flats (in.)	Torque Value*		Recommended Turns To Tighten (After Finger Tightening)	
		(N.m)	(lb-ft)	(Flats)	(Turn)
3/16	7/16	8	6	1	1/6
1/4	9/16	12	9	1	1/6
5/16	5/8	16	12	1	1/6
<b>3/8</b>	<b>11/16</b>	<b>24</b>	<b>18</b>	<b>1</b>	<b>1/6</b>
1/2	7/8	46	34	1	1/6
5/8	1	62	46	1	1/6
3/4	1-1/4	102	75	3/4	1/8
7/8	1-3/8	122	90	3/4	1/8

The torque values shown are based on lubricated connections as in reassembly.

### Wheel Lug Torque

It is extremely important safety procedure to apply and maintain proper wheel mounting torque on your trailer axle. Torque wrenches are the best method to assure the proper amount of torque is being applied to a fastener.

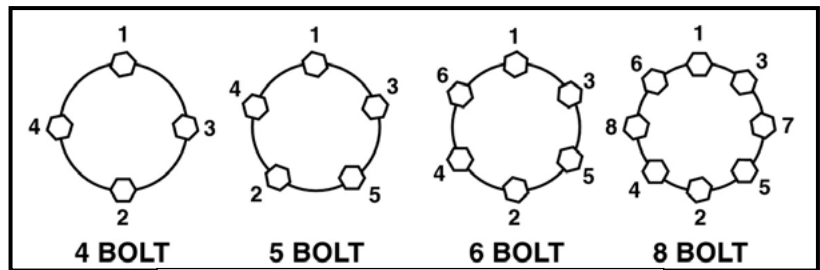
Wheel lugs should be torqued before first road use and after each wheel removal. Check and re torque after the first 16Km (10 miles), 40Km (25 miles), and again at 80Km (50 miles). Check periodically thereafter.

Note: Wheel lugs must be applied and maintained at the proper torque levels to prevent loose wheels, broken studs, and possible dangerous separation of wheels from your axle.

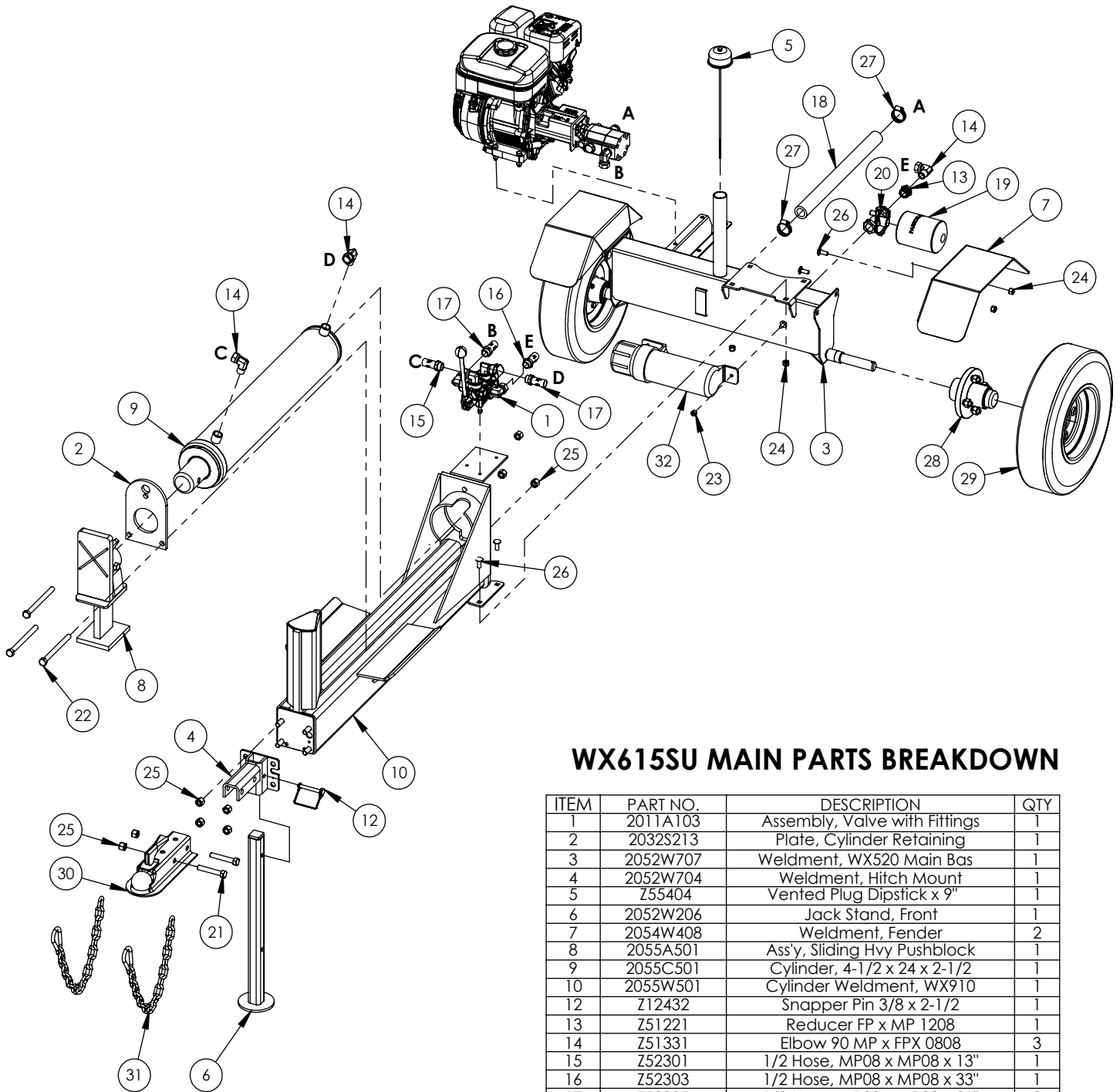
- Start all lugs by hand to prevent cross threading.
- Tighten lugs in sequence, per wheel lug torque sequence chart.
- The tightening of the fasteners should be done in stages. Following the recommended sequence, tighten fasteners per wheel torque requirements chart.

#### Wheel Torque Requirements

Wheel Size	Torque Unit	1st Stage	2nd Stage	3rd Stage
8"	ft-lbs	12 - 20	30 - 35	45 - 55
	Nm	16 - 26	39 - 45.5	58.5 - 71.5
12"	ft-lbs	20 - 25	35 - 40	50 - 60
	Nm	26 - 32.5	45.5 - 52	65 - 78
13"	ft-lbs	20 - 25	35 - 40	50 - 60
	Nm	26 - 32.5	45.5 - 52	65 - 78
14"	ft-lbs	20 - 25	50 - 60	90 - 120
	Nm	26 - 32.5	65 - 78	117 - 156
15"	ft-lbs	20 - 25	50 - 60	90 - 120
	Nm	26 - 32.5	65 - 78	117 - 156
16"	ft-lbs	20 - 25	50 - 60	90 - 120
	Nm	26 - 32.5	65 - 78	117 - 156



**Main Parts**



On Models with Hydraulic Tank Drain:  
#Z51192 Socket Plug, MP 08

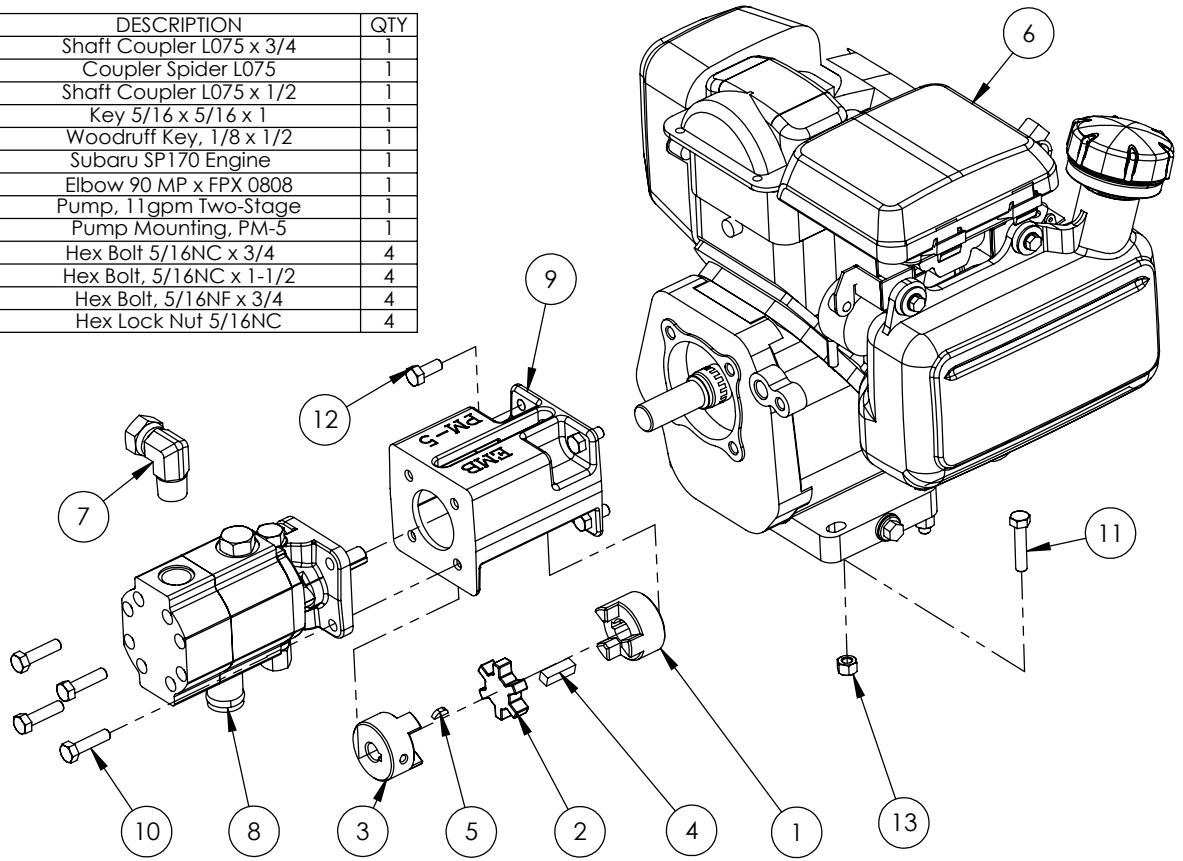
**WX615SU MAIN PARTS BREAKDOWN**

ITEM	PART NO.	DESCRIPTION	QTY
1	2011A103	Assembly, Valve with Fittings	1
2	2032S213	Plate, Cylinder Retaining	1
3	2052W707	Weldment, WX520 Main Bas	1
4	2052W704	Weldment, Hitch Mount	1
5	Z55404	Vented Plug Dipstick x 9"	1
6	2052W206	Jack Stand, Front	1
7	2054W408	Weldment, Fender	2
8	2055A501	Ass'y, Sliding Hvy Pushblock	1
9	2055C501	Cylinder, 4-1/2 x 24 x 2-1/2	1
10	2055W501	Cylinder Weldment, WX910	1
12	Z12432	Snapper Pin 3/8 x 2-1/2	1
13	Z51221	Reducer FP x MP 1208	1
14	Z51331	Elbow 90 MP x FPX 0808	3
15	Z52301	1/2 Hose, MP08 x MP08 x 13"	1
16	Z52303	1/2 Hose, MP08 x MP08 x 33"	1
17	Z52305	1/2 Hose, MP08 x MP08 x 21"	2
18	Z52404	Suction Hose, 1" x 18"	1
19	Z55301	Oil Filter - 3/4 - Particulate	1
20	Z55302	Filter Cap, 3/4 x 3/4	1
21	Z71530	Hex Bolt, 1/2NC x 3	2
22	Z71560	Hex Bolt, 1/2NC x 6	3
23	Z72221	Hex Lock Nut, 5/16NC	1
24	Z72231	Hex Lock Nut, 3/8NC	8
25	Z72251	Hex Lock Nut, 1/2NC	9
26	Z76231	Carriage Bolt, 3/8NC x 1	8
27	Z79401	Hose Clamp, #16	2
28	Z91202	Assembly, 1000# 4-Bolt Hub	2
29	Z91301	4.80-8 LRB SportTrail	2
30	Z91614	2" Hitch Coupler	1
31	Z92303	Safety Chain 1/4 x 2'	2
32	Z96503	Manual Tube 3-1/2 Short	1

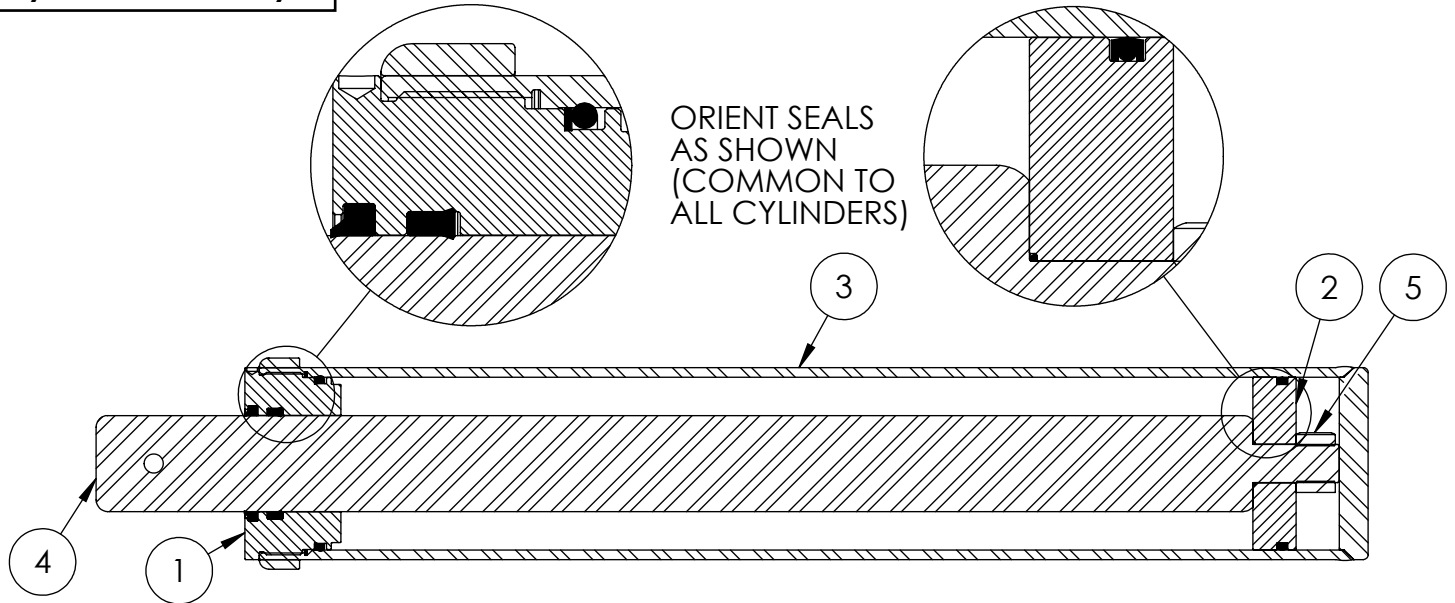
**Engine and Hydraulics Assembly**

**2063A305 PARTS BREAKDOWN**

ITEM	PART NO.	DESCRIPTION	QTY
1	Z46406	Shaft Coupler L075 x 3/4	1
2	Z46408	Coupler Spider L075	1
3	Z46410	Shaft Coupler L075 x 1/2	1
4	Z46542	Key 5/16 x 5/16 x 1	1
5	Z46592	Woodruff Key, 1/8 x 1/2	1
6	Z47701	Subaru SP170 Engine	1
7	Z51331	Elbow 90 MP x FFX 0808	1
8	Z53204	Pump, 11gpm Two-Stage	1
9	Z53801	Pump Mounting, PM-5	1
10	Z71207	Hex Bolt 5/16NC x 3/4	4
11	Z71215	Hex Bolt, 5/16NC x 1-1/2	4
12	Z71273	Hex Bolt, 5/16NF x 3/4	4
13	Z72221	Hex Lock Nut 5/16NC	4



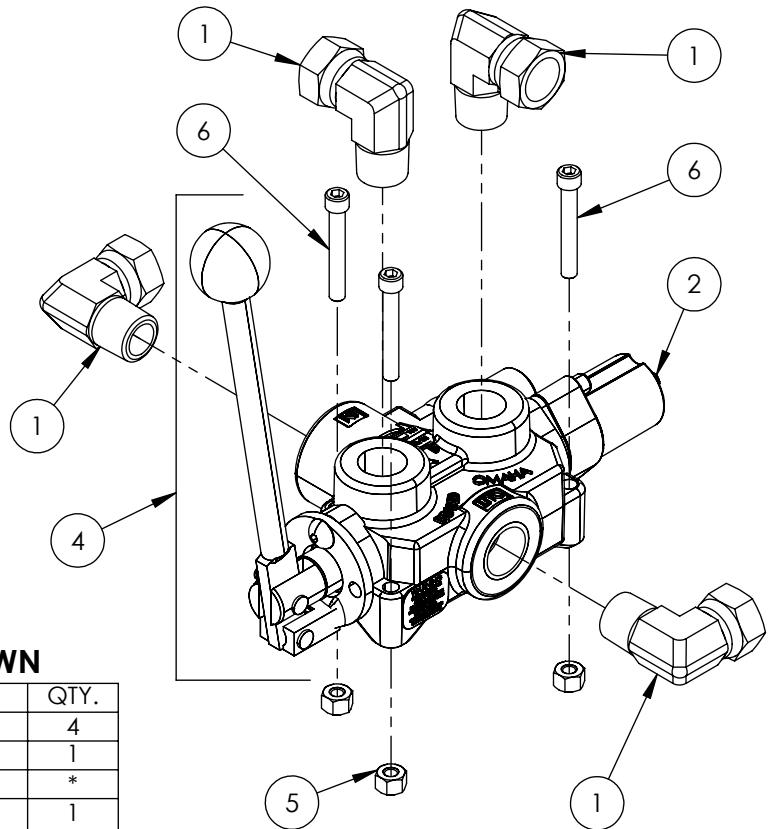
**Cylinder Assembly**



**4-1/2" WOODSPLITTER CYLINDER PARTS BREAKDOWN**

ITEM	PART NO.	DESCRIPTION	QTY
1	G450-250SA	4-1/2" Bore x 2-1/2" Rod Gland With Seals	1
2	P100-450SA	4-1/2" Bore Piston With Seals	1
3	2055C5014	Barrel, 4-1/2"	1
4	2055C5012	Rod, 2-1/2x 1	1
5	Z72292G8	Hex Lock Nut 1NF Grade 8	1
6	SLK-4525	Seal Kit, 4-1/2 x 2-1/2	1

**Valve Assembly**



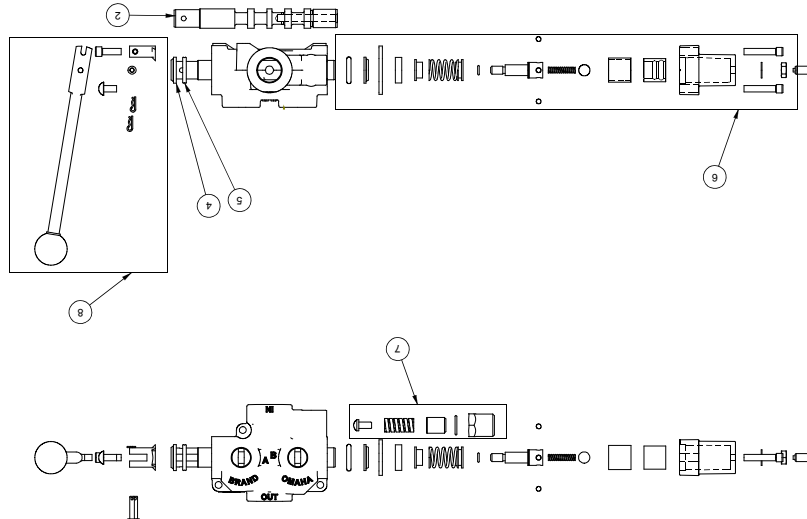
**VALVE AND FITTINGS PARTS BREAKDOWN**

ITEM	PART NO.	Description	QTY.
1	Z51331	Elbow 90 MP x FPX 0808	4
2	Z56209	Valve, Single Function Detent	1
3	*Z56210*	Valve, Closed Center	*
4	Z56915	Complete Handle Kit for Z56209	1
5	Z72111	Hex Lock Nut 1/4NC	3
6	Z75114	SHCS, 1/4NC x 1-3/4	3

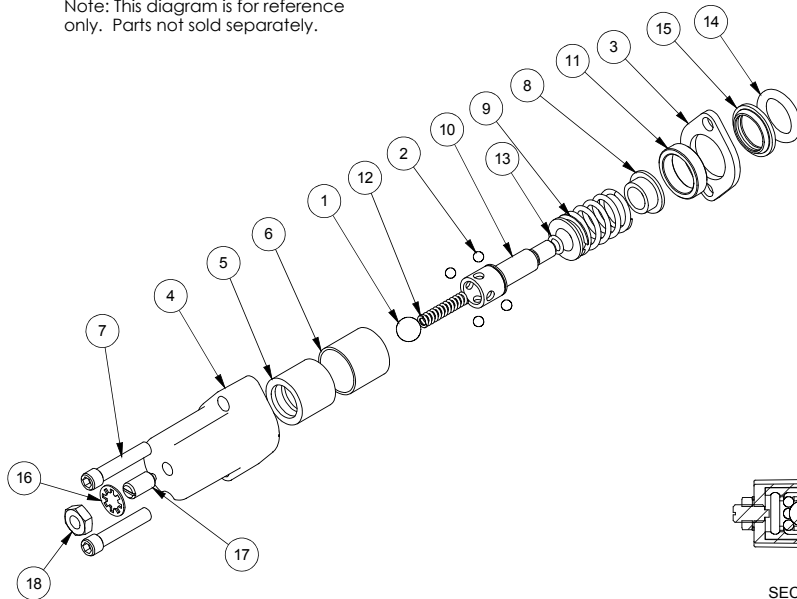
\*CLOSED CENTER VALVE REQUIRED FOR "C" MODELS.\*



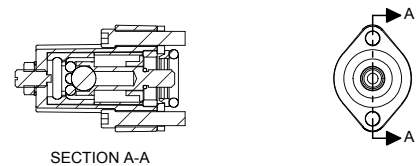
ITEM NO.	QTY.	PART NO.	DESCRIPTION
1	1	AOCAS18	AO CASTING
2	2	LS304T4J	SPOOL
3	1	P1740	NAME TAG
4	1	SF305	WIPER
5	1	DC7604	O-RING
6	1	B5057	7/16 BALL
7	1	DC7604	3/16 BALL
8	1	SF306	RETAINER
9	1	SF477L	SH LS ENDCAP
10	1	XDC47Z	LS SLEEVE
11	1	SF483	SPACER
12	2	SF486	ALLEN SCREW
13	2	SF489	CENTER STOP
14	1	SF490	CENTERING SPRING
15	1	SF492	HOUSING
16	1	SF315	SPACER
17	1	LS305	DETENT SPRING
18	1	DC7583	O-RING 3-902
19	1	SF496	METRIC O-RING
20	1	LS306	LS WIPER
21	1	SF502	5/16 LOCK WASHER
22	1	SF503	SPRING PLUNGER
23	1	SF504	5/16 HEX JAM NUT
24	1	SUB-R	RELIEF
25	1	P1603	CAP NUT
26	1	SF322	O-RING 2-016
27	1	SF364A	ADJ SCREW
28	1	B505	SPRING
29	1	SF361A	POPPET
30	1	Z56915	HANDLE KIT
31	1	SF377	RETAINER
32	1	SF378	SEAL RETAINER
33	1	SF379A	CLEVIS
34	1	SF368	HANDLE
35	2	SF369	PIN
36	2	P1767	PIN CLIP
37	1	HP5	MAOCH SCREW
38	1	SF311	KNOB
39	1	SF308	CAP SCREW
40	1	SF303T4J	SPPOOL
41	1	P1654	WARNING TAG



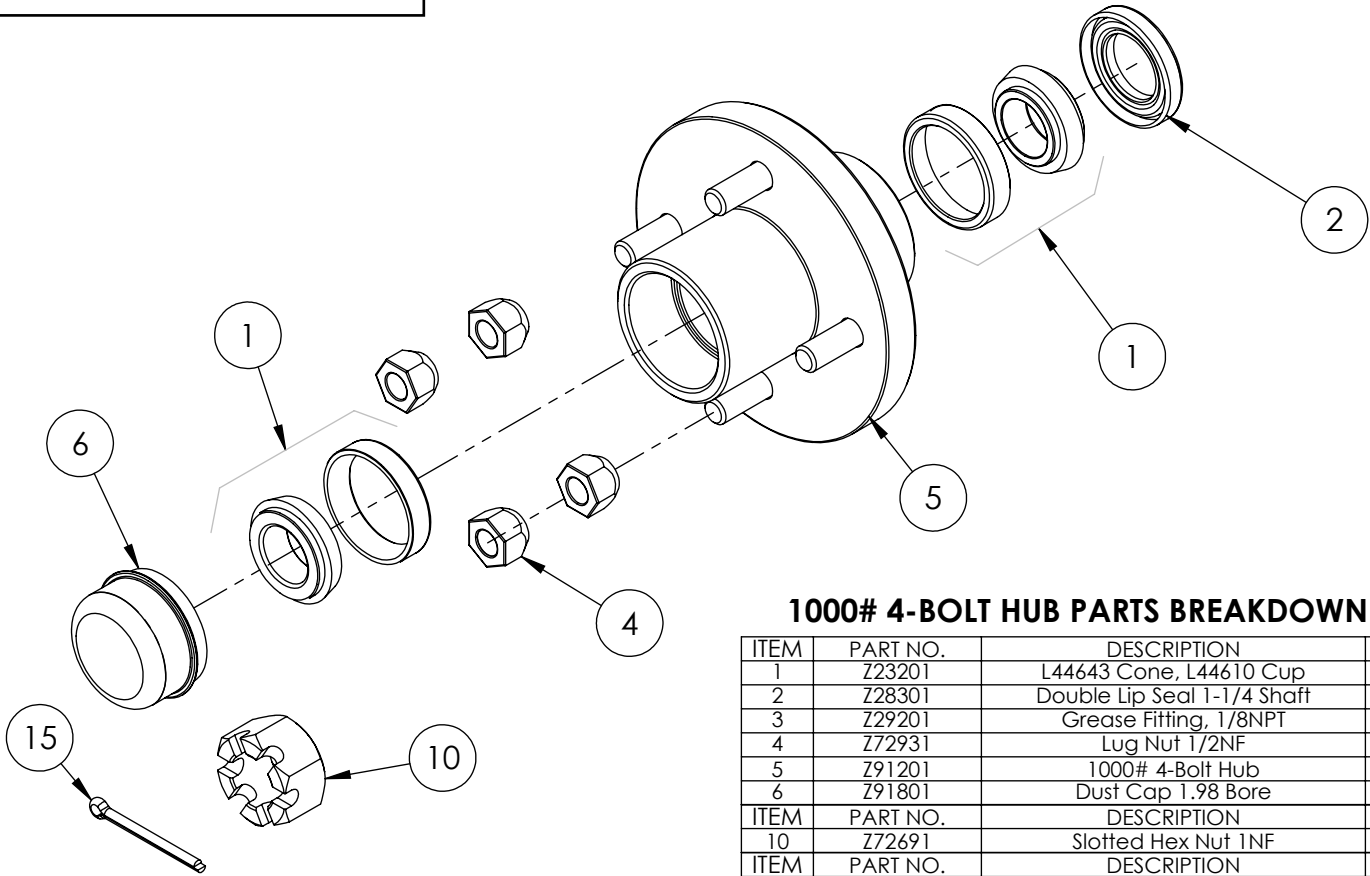
Note: This diagram is for reference only. Parts not sold separately.



ITEM NO.	QTY.	PART NO.	DESCRIPTION
1	1	B5057	7/16 BALL
2	4	DC7604	3/16 BALL
3	1	SF306	RETAINER
4	1	SF477L	SH LS ENDCAP
5	1	SF480	SD SLEEVE
6	1	SF483	SPACER
7	2	SF486	ALLEN SCREW
8	2	SF489	CENTER STOP
9	1	SF490	CENTERING SPRING
10	1	SF492	HOUSING
11	1	SF315	SPACER
12	1	LS305	DETENT SPRING
13	1	DC7583	O-RING 3-902
14	1	SF496	METRIC O-RING
15	1	LS306	LS WIPER
16	1	SF502	5/16 LOCK WASHER
17	1	SF503	SPRING PLUNGER
18	1	SF504	5/16 HEX JAM NUT



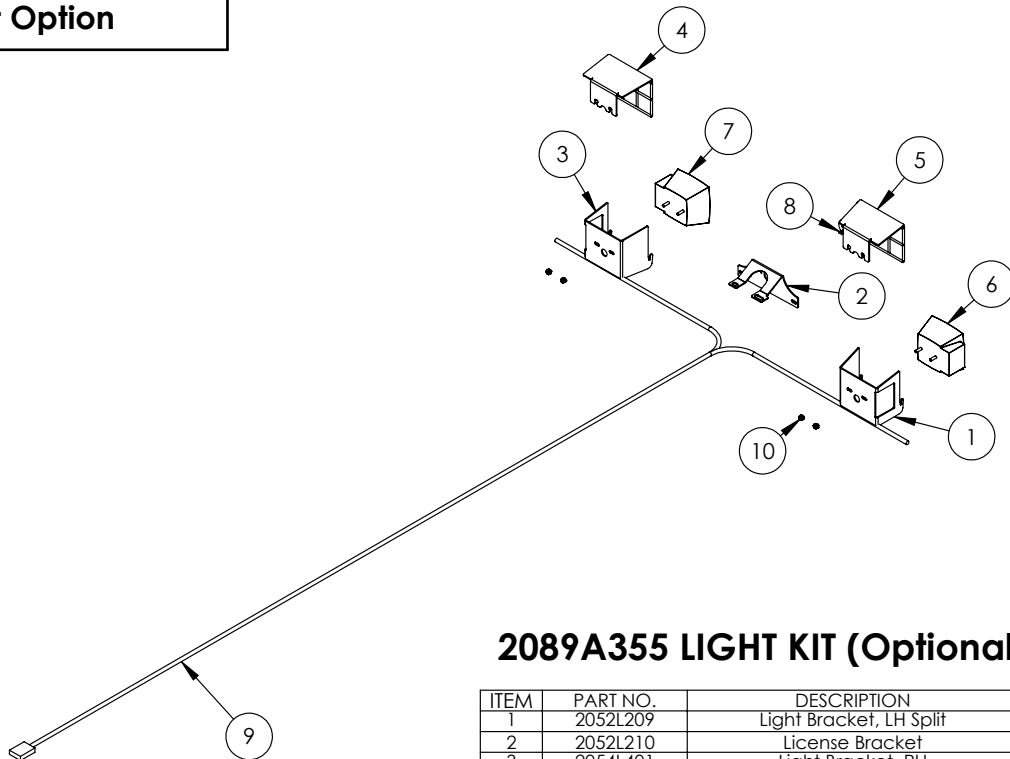
**Hub Assembly**



**1000# 4-BOLT HUB PARTS BREAKDOWN**

ITEM	PART NO.	DESCRIPTION	QTY
1	Z23201	L44643 Cone, L44610 Cup	2
2	Z28301	Double Lip Seal 1-1/4 Shaft	1
3	Z29201	Grease Fitting, 1/8NPT	1
4	Z72931	Lug Nut 1/2NF	4
5	Z91201	1000# 4-Bolt Hub	1
6	Z91801	Dust Cap 1.98 Bore	1
ITEM	PART NO.	DESCRIPTION	QTY
10	Z72691	Slotted Hex Nut 1NF	1
ITEM	PART NO.	DESCRIPTION	QTY
15	Z12322	Cotter Pin 3/16 X 2	1

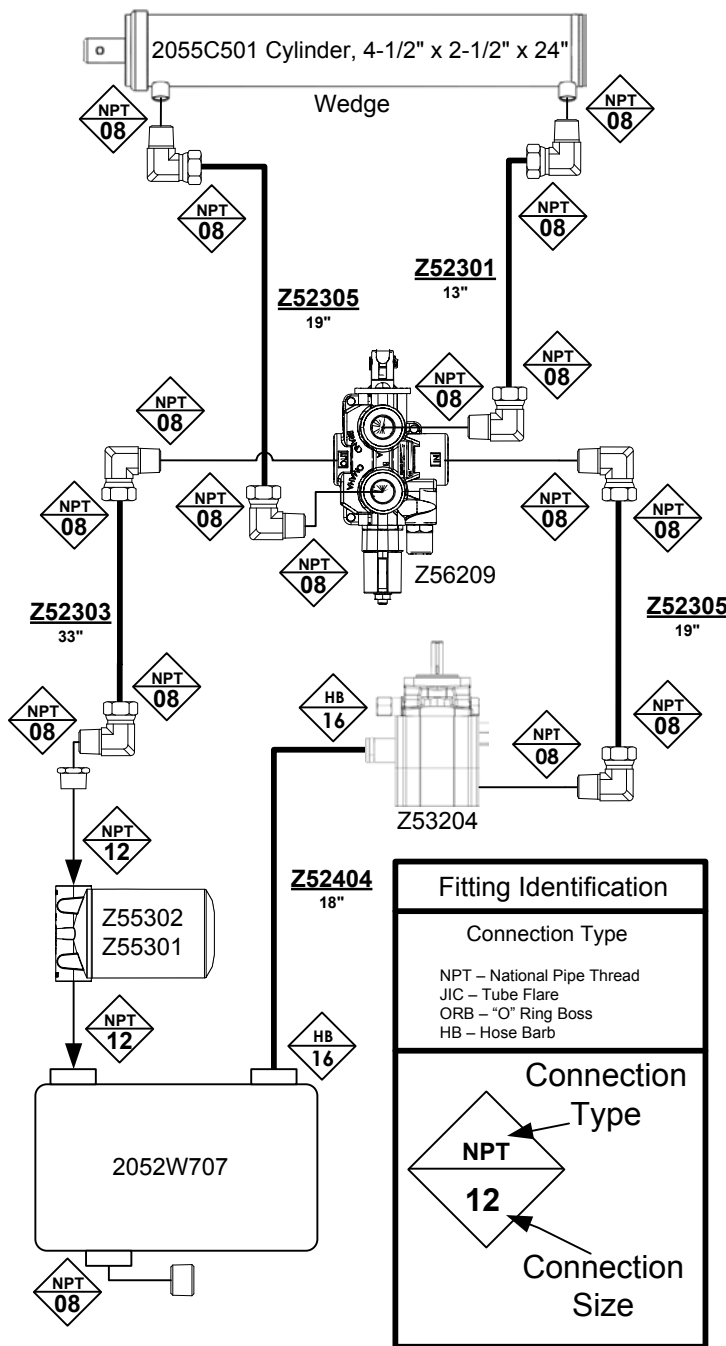
**Light Kit Option**



**2089A355 LIGHT KIT (Optional)**

ITEM	PART NO.	DESCRIPTION	QTY
1	2052L209	Light Bracket, LH Split	1
2	2052L210	License Bracket	1
3	2054L401	Light Bracket, RH	1
4	2054W403	Light Guard, RH	1
5	2054W404	Light Guard, LH	1
6	Z61106	Stop, Turn, Tail Light LH	1
7	Z61107	Stop, Turn, Tail Light RH	1
8	Z61301	License Lamp	1
9	Z62105	110" Wishbone Trailer Harness	1
10	Z72941	Serrated Washer Nut 1/4NC	4

**Hydraulic Schematic**



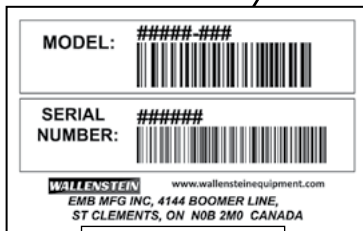
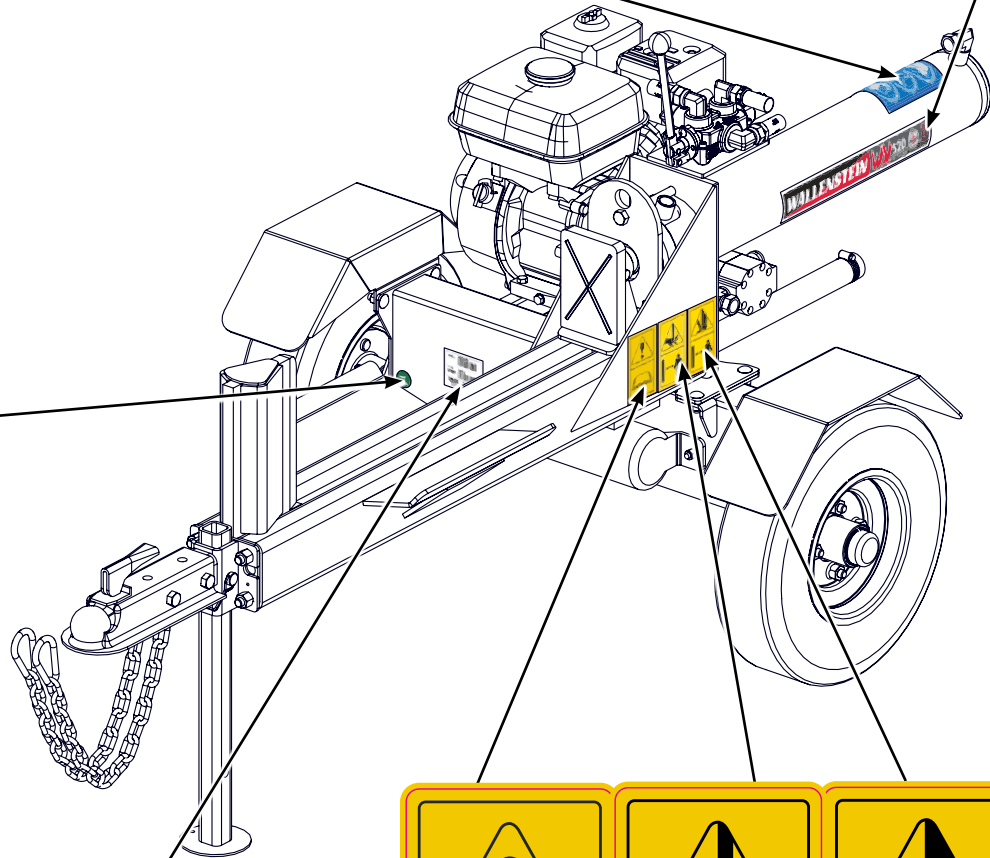
**Hydraulic Hose List**

Part No.	Description	Qty
Z52404	Suction Hose, 1 x 18	1
Z52301	1/2" Hose, MP08 x MP08 x 13	1
Z52303	1/2" Hose, MP08 x MP08 x 33	1
Z52305	1/2" Hose, MP08 x MP08 x 21	2

Label Layout



WX615SU Z94685 x 2

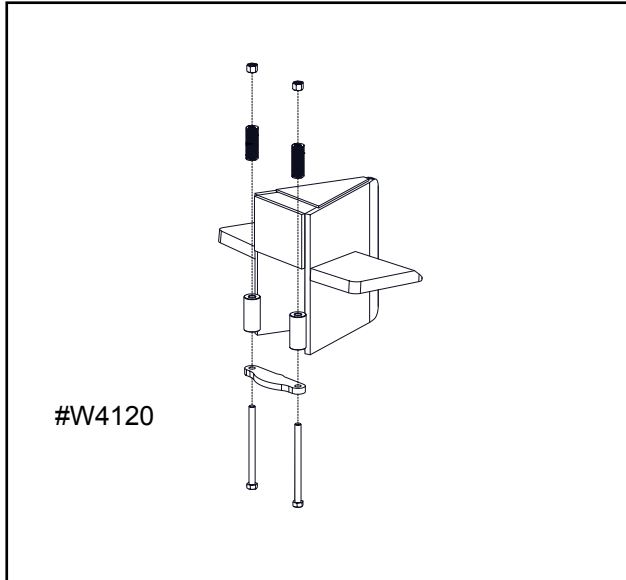


Serial Location



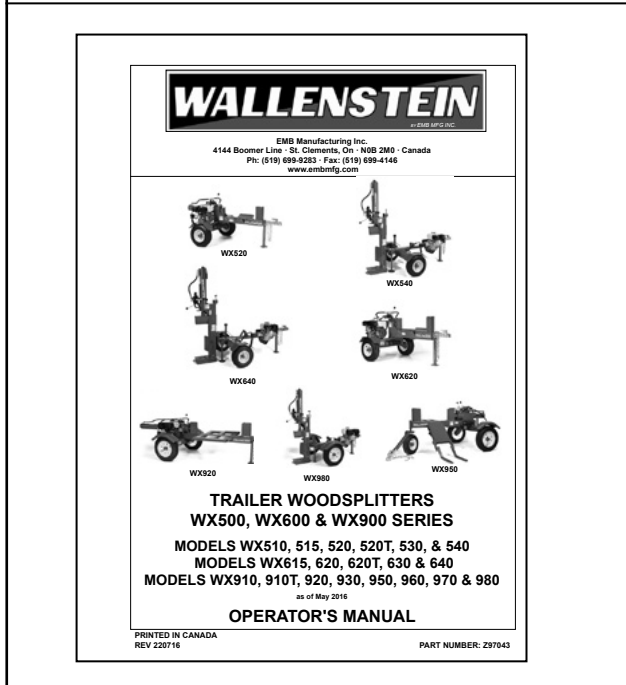
**Accessories**

Call your dealer for pricing and availability



**#W4120 4 Way Wedge**

Boost your productivity and make quick work out of logs by splitting four pieces at once. This is an ideal way to save time.



**#Z97043  
TRAILER WOODSPLITTER  
OPERATOR'S MANUAL**

Available as a download at  
[www.wallensteinequipment.com](http://www.wallensteinequipment.com)