



BX92S Chipper Parts Manual

Prior to S/N 192S9



Foreword

EMB Mfg. has prepared this parts manual to assist customers in ordering quality OEM replacement parts.

Proper and regular service and replacing old, worn or broken parts with the correct Wallenstein parts are essential to prolonging the life of your Wallenstein product. Please refer to this manual before ordering any replacement parts.

All information contained in this parts manual is based on the latest product specification available at the time of printing this manual. If your product differs from the specifications contained within this manual contact EMB Mfg. for information.

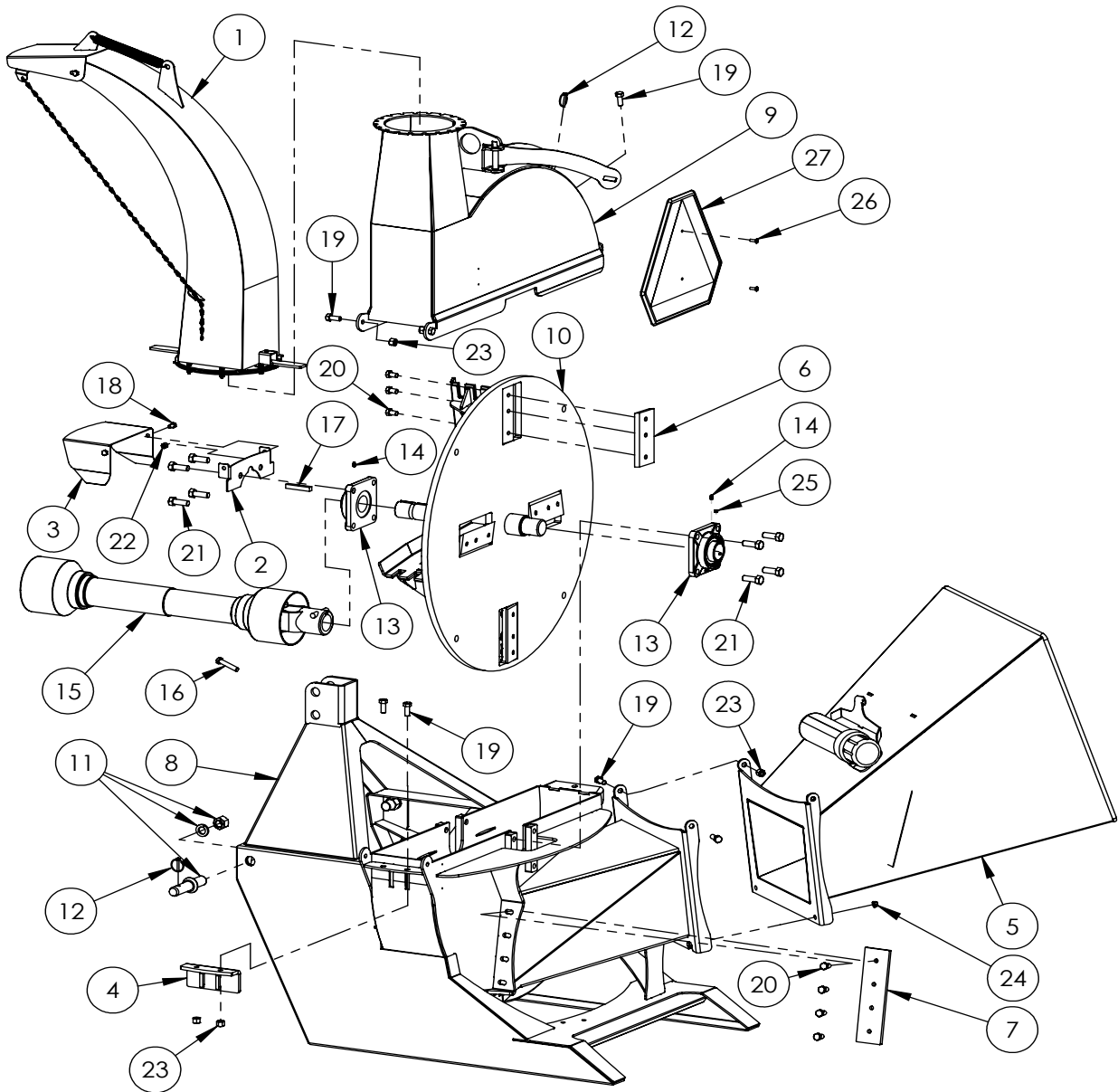
EMB reserves the right to alter specifications on their products at any time.

Reproduction of this parts manual of any kind is prohibited without prior written permission from EMB Mfg.

Table of Contents

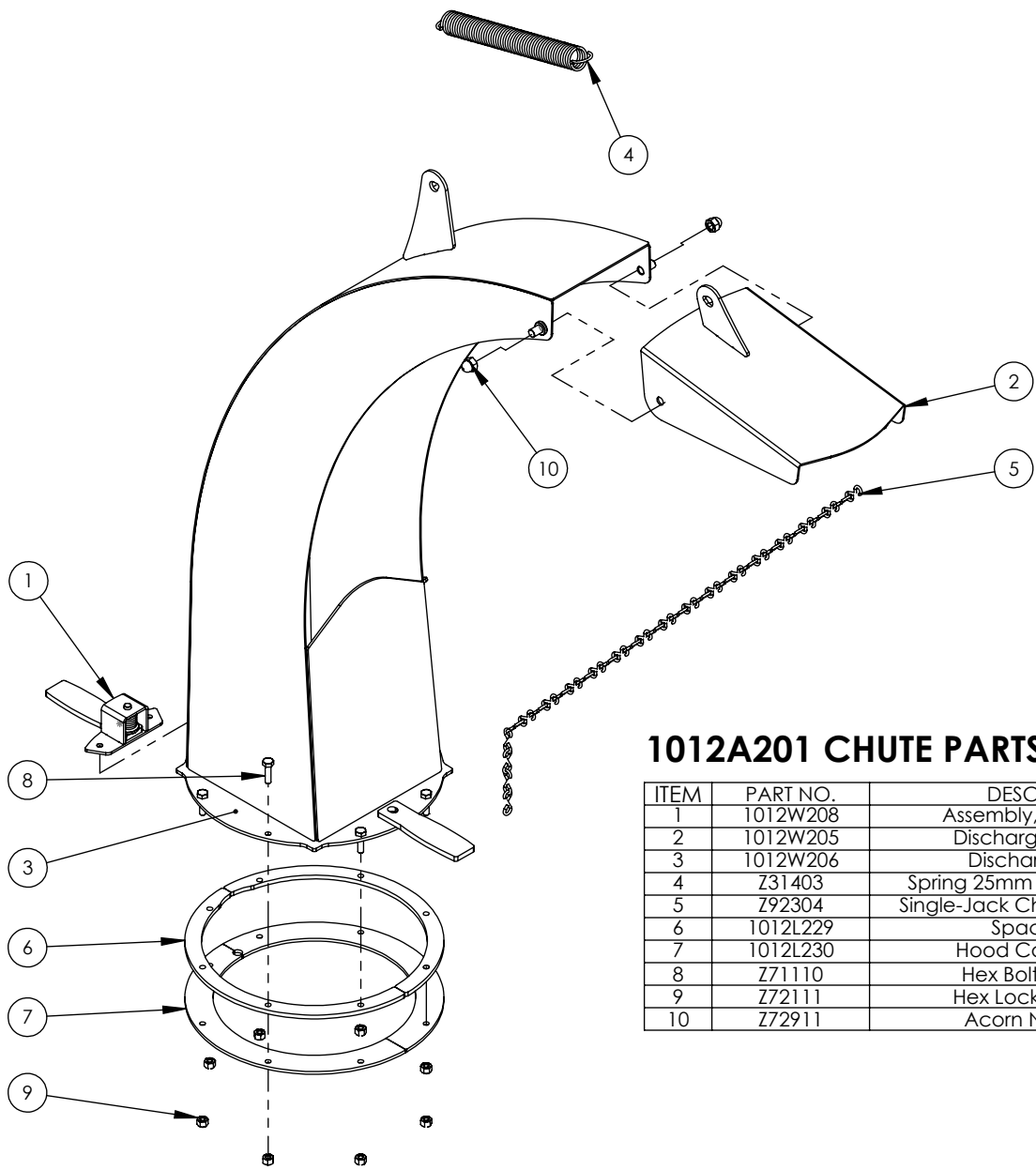
Main Parts Breakdown	5
Discharge Chute Parts Breakdown	6
Hopper Parts Breakdown	7
Binacchi PTO Parts Breakdown	8
Decal Breakdown	10

This Page is Intentionally Blank



BX92 PARTS BREAKDOWN

ITEM	PART NO.	Description	QTY.
1	1012A201	Assembly, Discharge Chute	1
2	1012L206	PTO Cover Mounting Bracket	1
3	1012L212	PTO Cover	1
4	1012W204	Twig Breaker	1
5	1019A602	Self-feed Hopper	1
6	1019M903	Knife, BX92 Rotor	4
7	1019M904	Knife, BX92 Ledger	1
8	1019W901	Housing, Bottom Rotor	1
9	1019W902	Housing, Upper Rotor	1
10	1019W903	Rotor, BX92 2-Knife	1
11	Z11441	Implement Pin 1-1/8 x 6-5/16	2
12	Z12110	Latch Pin 3/16	3
13	Z25203	4-Bolt Bearing 2" Bore	2
14	Z29202	Grease Zerk 1/4NF	2
15	Z44801	Series 8 PTO Shaft 2" Crossbolt	1
16	Z44908	Shearbolt, M12x65mm 10.9	1
17	Z46563	Key, 1/2 x 1/2 x 3	1
18	Z71307	Hex Bolt 3/8NC x 3/4	2
19	Z71512	Hex Bolt 1/2NC x 1-1/4	7
20	Z71572G8	Hex Bolt 1/2NF x 7/8 Gr8	16
21	Z71672G8	Hex Bolt, 5/8NF x 1-3/4 Gr8	8
22	Z72231	Hex Lock Nut 3/8NC	2
23	Z72251	Hex Lock Nut 1/2NC	6
24	Z72531	Flange Nut 3/8NC	2
25	Z74132	Set Screw 3/8NF	4
26	Z78301	Machine Screw 1/4NC x 3/4	2
27	Z96605	SMV Spade & Socket	1

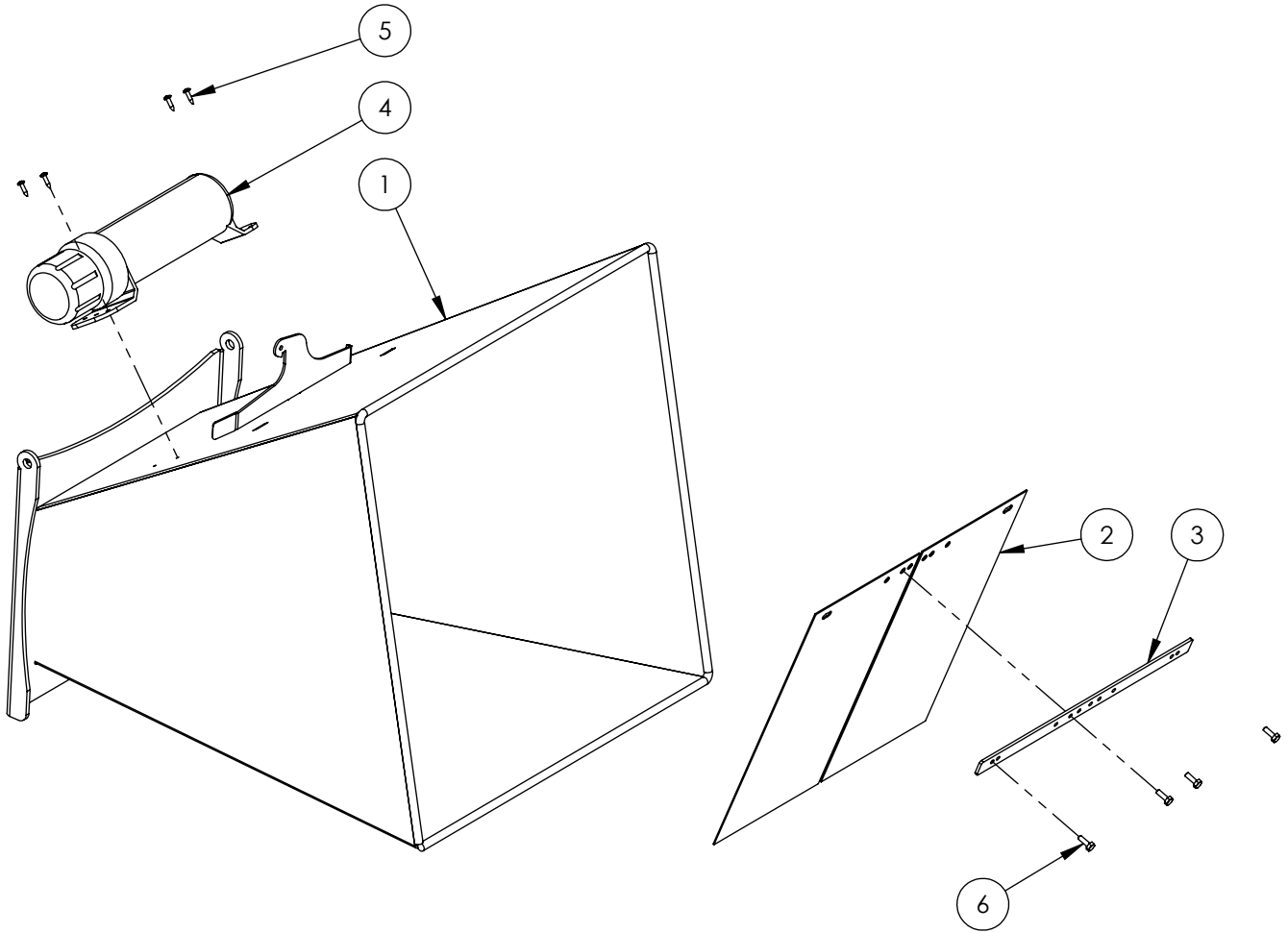


1012A201 CHUTE PARTS BREAKDOWN

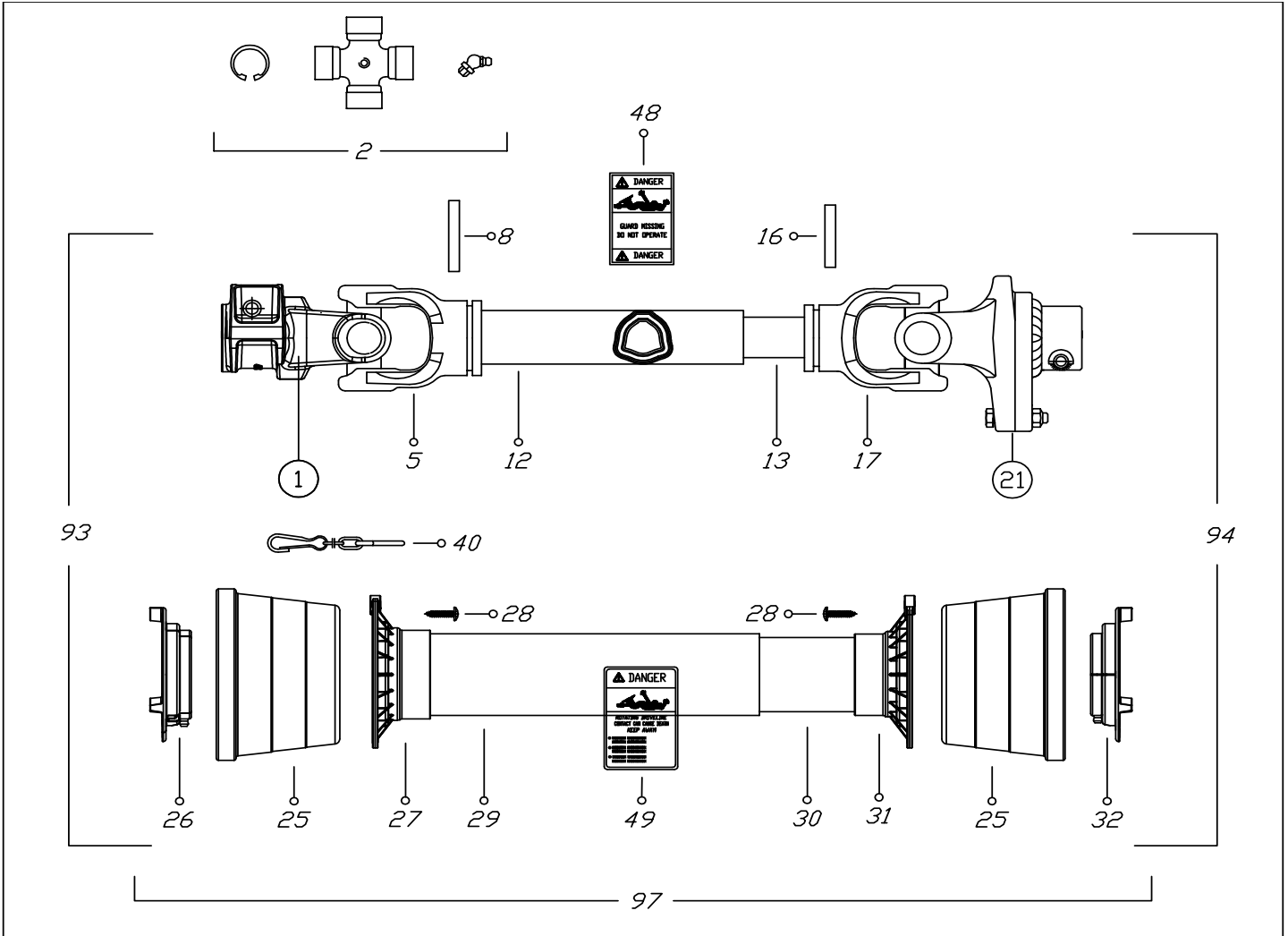
ITEM	PART NO.	DESCRIPTION	QTY
1	1012W208	Assembly, Hood Latch	1
2	1012W205	Discharge Deflector	1
3	1012W206	Discharge Chute	1
4	Z31403	Spring 25mm x 178mm Heavy	1
5	Z92304	Single-Jack Chain #10 [35 links]	3.2
6	1012L229	Spacer Ring	2
7	1012L230	Hood Capture Ring	2
8	Z71110	Hex Bolt 1/4NC x 1	8
9	Z72111	Hex Lock Nut 1/4NC	8
10	Z72911	Acorn Nut, 3/8NC	2

BX92S HOPPER BREAKDOWN

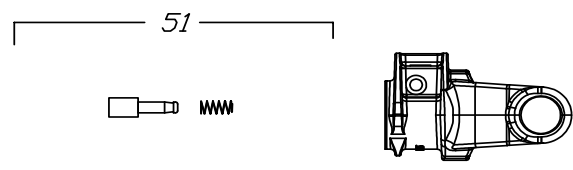
ITEM	PART NO.	DESCRIPTION	QTY
1	1019W607	Hopper, Self-Feed BX92	1
2	1011S103	Flap, Hopper	2
3	1012L251	Strap, Hopper Flap	1
4	Z96502	Manual Tube 3-1/2	1
5	Z76712	Self-tapping Screw #10	4
6	Z71107	Hex Bolt 1/4NC x 3/4	4



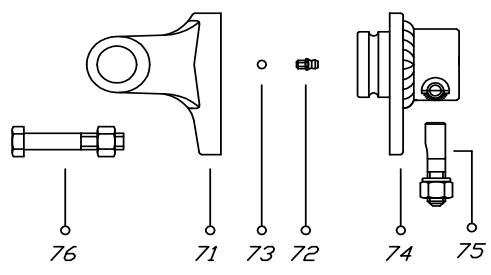
Binacchi PTO Parts Breakdown



1



21



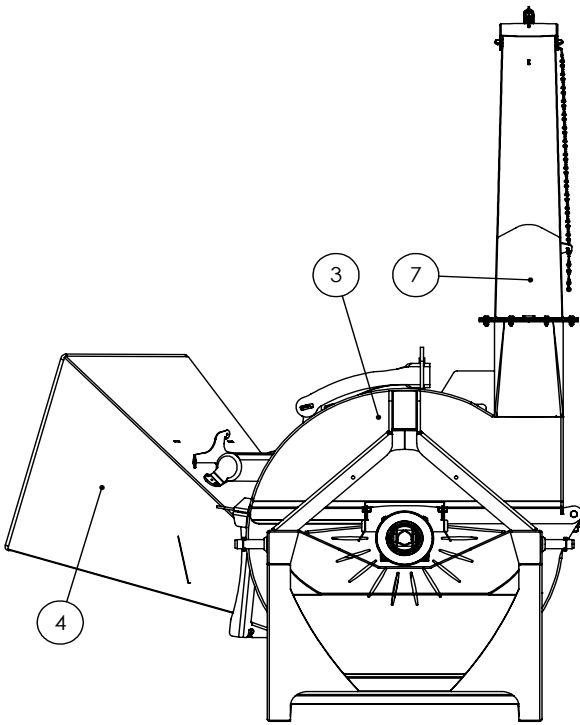
Binacchi PTO Parts List

POS.	DESCRIPTION	Q	PART #
01	YOKE	1	0800803A60
02	CROSS JOURNAL ASS.	2	08208
05	OUTER TUBE YOKE	1	08080021
08	FLEXIBLE PIN	1	098701075
12	CM. 100 CARDAN TUBE(*)	1	09881544100
13	CM. 100 CARDAN TUBE(*)	1	09881455100
16	FLEXIBLE PIN	1	098701065
17	INNER TUBE YOKE	1	08080011
21	SHEAR BOLT	1	08808P70
25	CONE SHIELD BELL 07-08	2	021908C001
26	OUTER BEARING	1	025508C001
27	OUTER BASE CONE 07-08	1	025408C001
28	SCREW	8	0998052242
29	OUTER SAFETY TUBE	1	0988981NB8066
30	INNER SAFETY TUBE	1	0988975NB8066
31	INNER BASE CONE 07-08	1	025408C002
32	INNER BEARING	1	025508C002
40	CHAIN	1	0252000001
48	LABEL DANGER OUTER DRIVE TUBE	1	09872006
49	EXTERNAL SHIELD LABEL	1	09872003
51	COMPLETE PUSH BUTTTON	1	0986014060
71	YOKE FOR LB8	1	088608553
72	GREASE NIPPLE	1	0984010150
73	STEEL BALL	24	098680516
74	HUB	1	08868P70
75	CONIC SCREW	1	0408000061
76	NUT AND BOLT M12X65 10.9	1	Z19408
93	OUTER HALF SHAFT	1	B8061US2
94	INNER HALF SHAFT	1	B8061US1098001
97	SAFETY GUARD	1	083US08061

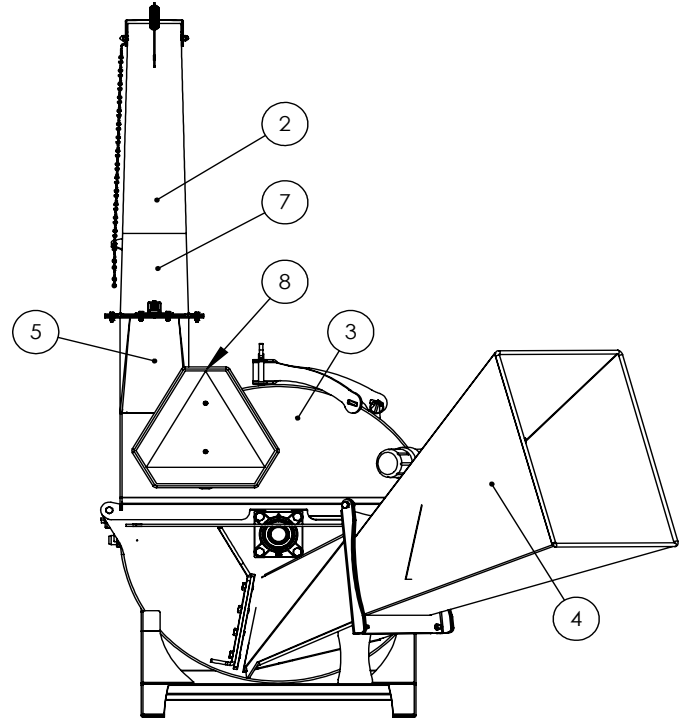
Note: Always check brand of PTO shaft when ordering PTO parts. For other brands then the Binacchi shafts shown, please call the factory @ 877-695-9283

BX92S DECAL BREAKDOWN

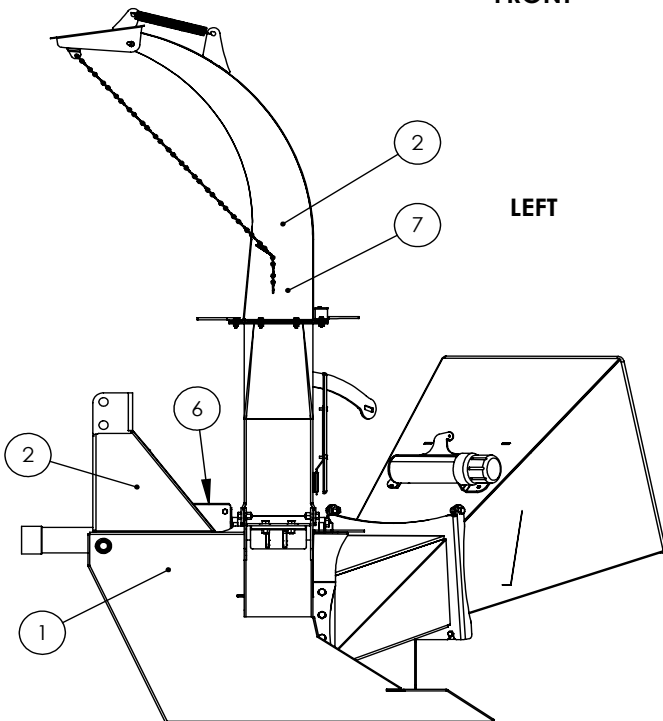
ITEM	PART NO.	DESCRIPTION	QTY
1	Z94056	WALLENSTEIN Decal	2
2	Z94019	1" Dia. Made In Canada	5
3	Z94071	BX92S	2
4	Z94007	DANGER - Rotating Blades	3
5	Z94006	CAUTION - Read Manual	1
6	Z94009	DANGER - Rotating Driveline Hazard	1
7	Z94008	DANGER - Thrown Object Hazard	3
8	Z94605	SMV Spade	1



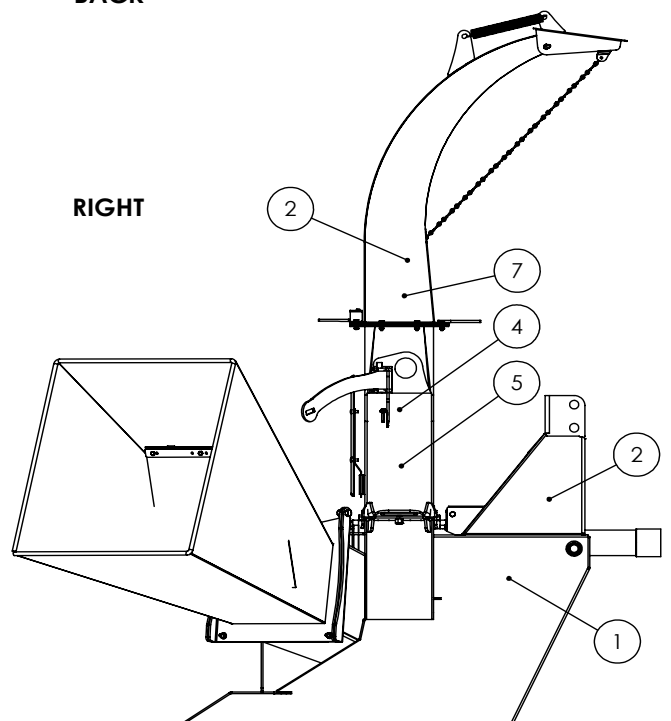
FRONT



BACK



LEFT



RIGHT

Decals BX92S

Z94056



Z94071



Z94019



Z94006



Z94007



Z94605



Z94009



Z94008





WALLENSTEIN Products Manufactured by:

EMB MFG Inc.

4144 Boomer Line
St. Clements, Ontario
Canada N0B 2M0
Phone: 1-877-695-9283
Fax: 519-699-4146
www.embmfg.com