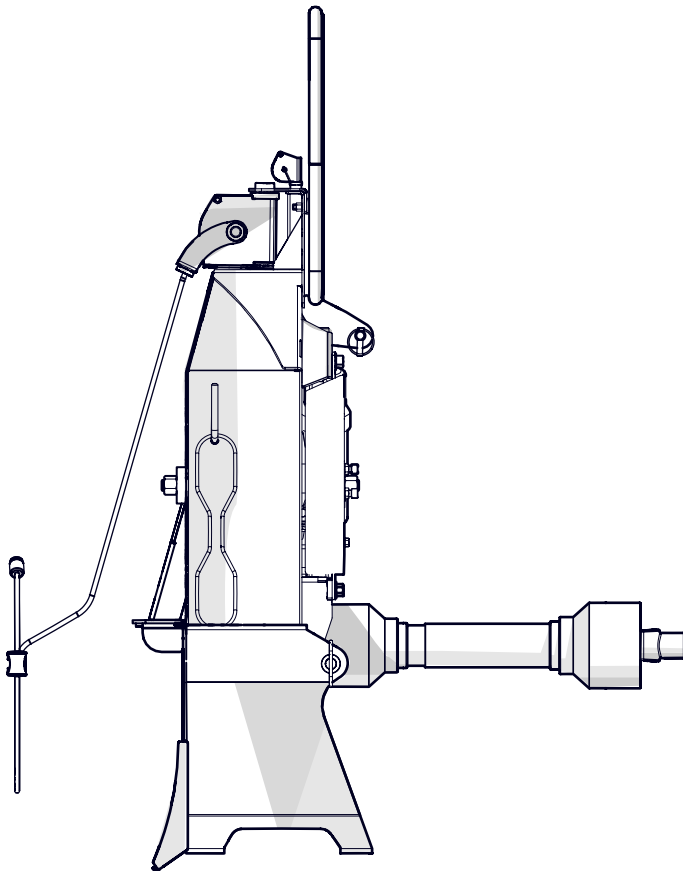


PARTS MANUAL

Serial Number 5661 & up

FX66 PTO-DRIVEN LOG SKIDDING WINCH



Foreword

This Wallenstein parts manual is prepared to assist customers in ordering quality OEM replacement parts.

Regular maintenance combined with replacing old, worn or broken parts with the correct OEM parts is essential in prolonging the life of your Wallenstein product. Refer to this manual to identify replacement parts.

To order parts, contact your Wallenstein dealer or distributor. Have the product model and serial number handy.

If your dealer is no longer available, please go to our website: <http://wallensteinequipment.com> and click on the [Dealer Locator](#) to find the nearest dealer.

All information contained in this parts manual is current as per the revision date at the bottom of the page. Wallenstein reserves the right to change product specifications at any time without notice.

If your product specifications differ from those contained in this manual, contact Wallenstein for current information.

Reproduction of information in this parts manual is prohibited without prior written permission from Wallenstein Equipment Inc.

Wallenstein Equipment Inc. • © 2019

WARNING!

Refer to the operators manual for safe operation and maintenance.

Maintenance should be performed by trained personnel only.

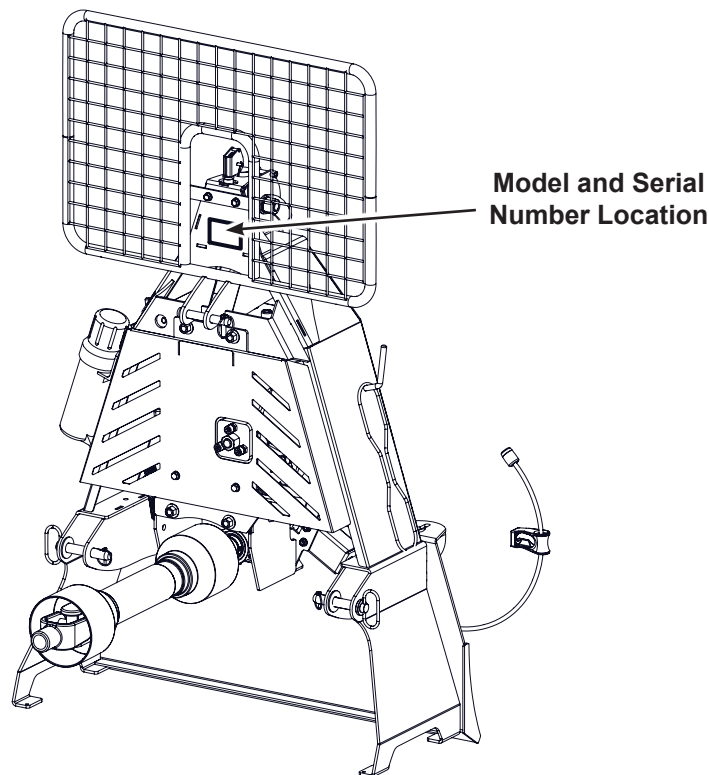
Serial Number Location

Always provide the model and serial number of your Wallenstein product when ordering parts or requesting service or other information. This information is found on the product information plate as shown below.

Record your product information here for future reference.

Model _____

Serial Number _____

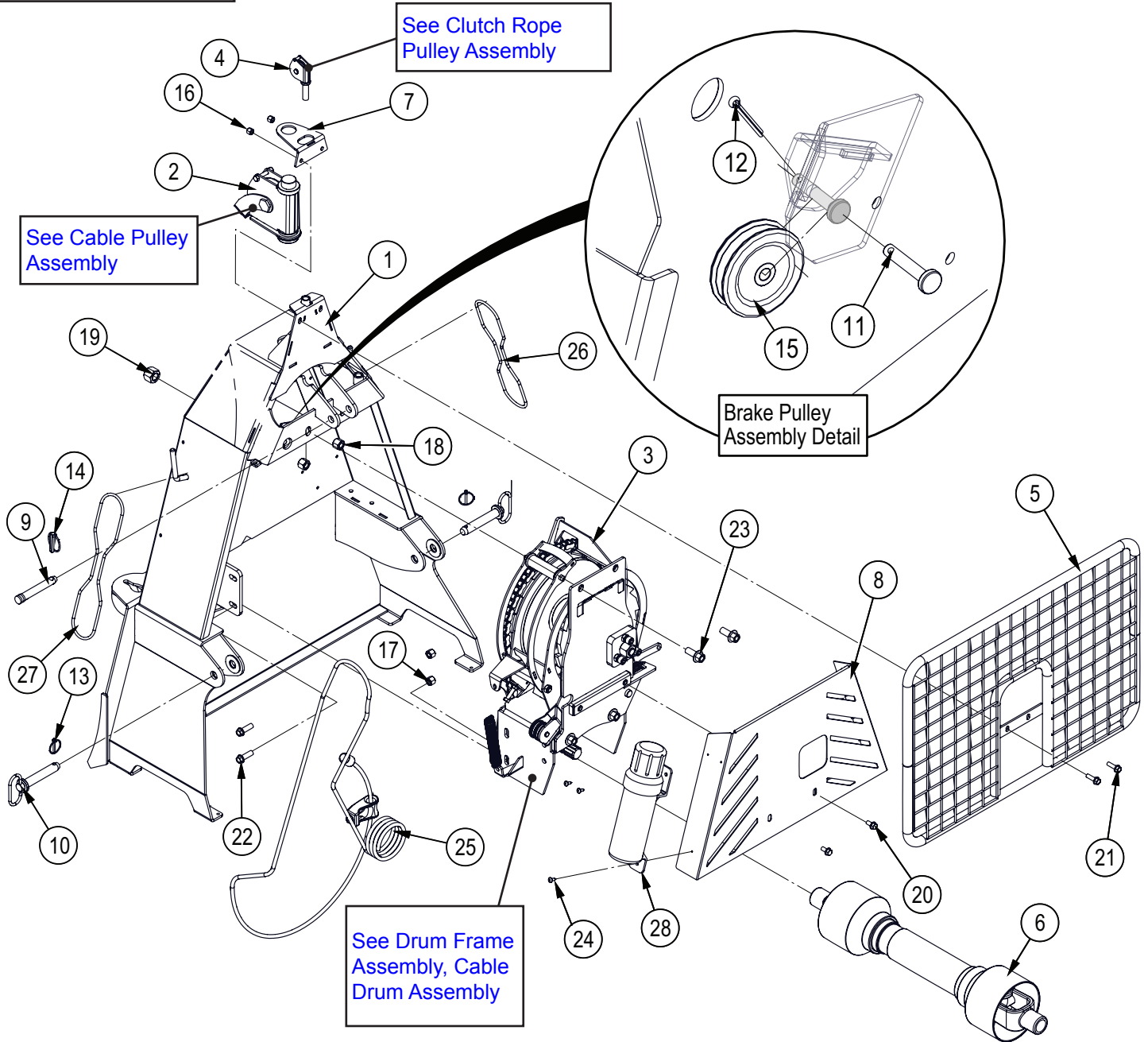


www.wallensteinequipment.com

Contents

Main Parts	4
Drum Frame Assembly	5
Cable Drum Assembly	6
Clutch Assembly	7
Engagement Lever Assembly	8
Chain Tightener Assembly	9
Top Cable Pulley Assembly	10
Clutch Pulley	11
PTO Shaft	12
Cable Install	13
Brake and Clutch Rope Routing	14
Decal Layout	15
Accessories	17
Common Bolt Torque Values	18

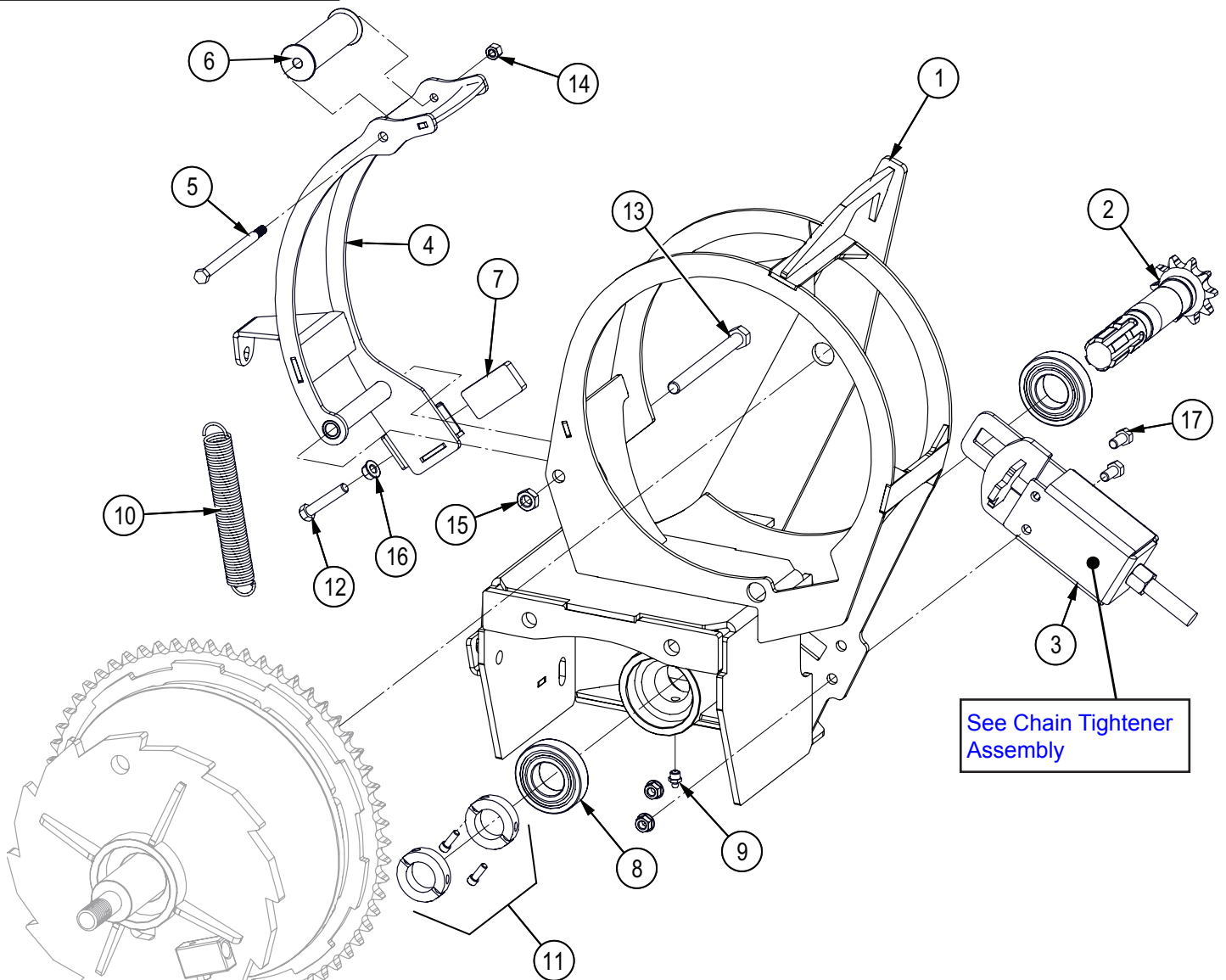
Main Parts



Item No.	Part No.	Description	Qty
1	5016W501	Main Frame	1
2	5011A514	Top Cable Pulley	1
3	5016A532	Winch Clutch, FX66	1
4	5012A207	Clutch Rope Pulley	1
5	5016W502	Safety Screen	1
6	Z44402	PTO Shaft, Series B4 x 32.402"	1
7	5011L636	Bracket, Top Pulley Capture	1
8	5011L686	Lower Protective Shield	1
9	Z11122	Toplink Pin, 3/4" x 3-7/8"	1
10	Z11251	Hitch Pin, 7/8" x 4-1/4"	2
11	Z11311	Clevis Pin, 1/4" x 1-1/8"	1
12	Z12311	Cotter Pin, 1/8" x 1"	1
13	Z12110	Lynch Pin, 3/16"	2
14	Z12140	Lynch Pin, 7/16"	1
15	Z92203	Groove Pulley, 2" x 1/4"	1

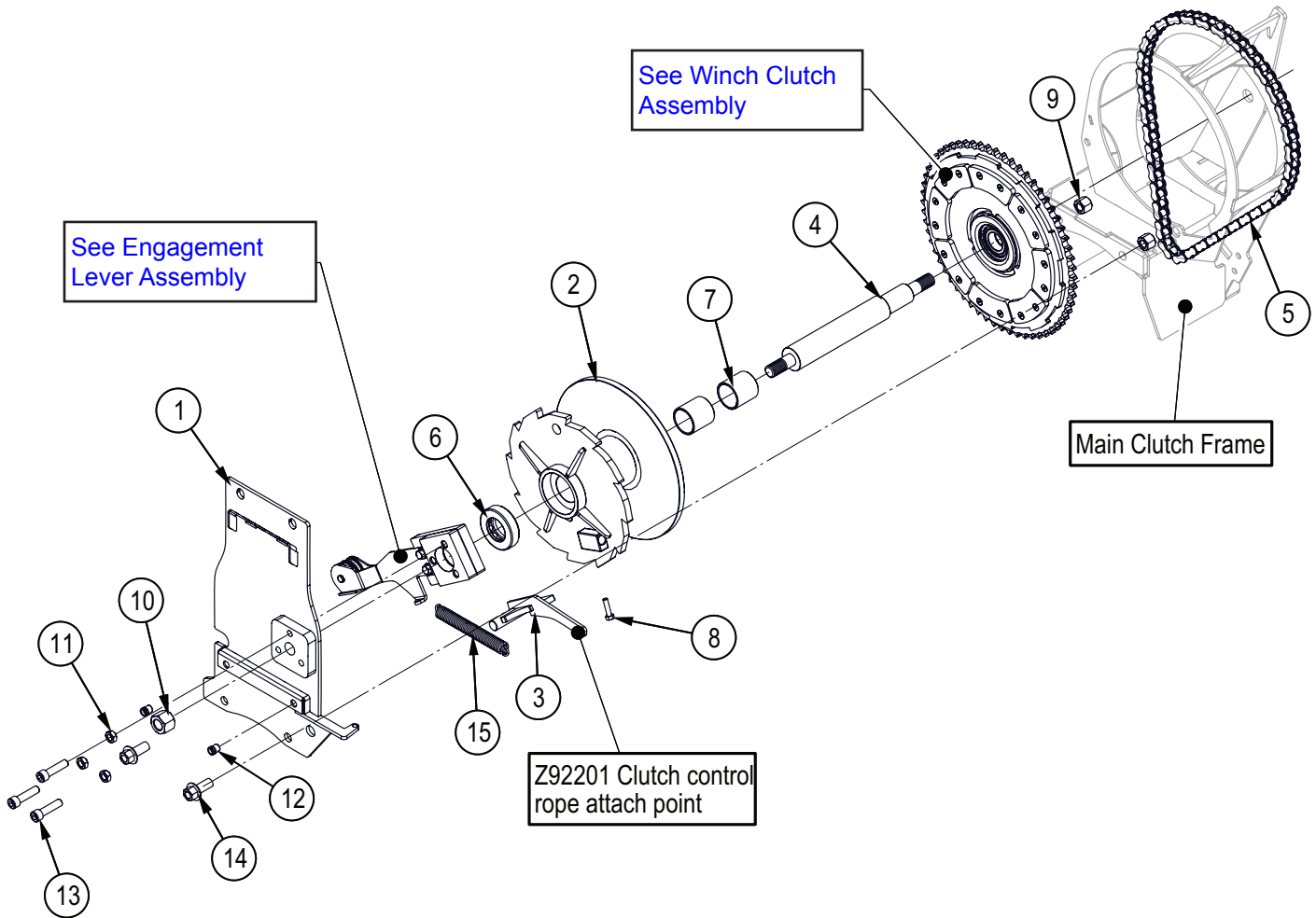
Item No.	Part No.	Description	Qty
16	Z72231	Hex Lock Nut, 3/8NC	2
17	Z72251	Hex Lock Nut, 1/2NC	2
18	Z72261	Hex Lock Nut, 5/8NC	2
19	Z72281	Hex Lock Nut, 7/8NC	1
20	Z76133	Flange Bolt, 3/8NC x 3/4"	2
21	Z76137	Flange Bolt, 3/8NC x 1-1/4"	2
22	Z76156	Flange Bolt, 1/2NC x 1-1/2"	2
23	Z76161	Flange Bolt, 5/8NC x 1-1/2"	2
24	Z76721	Self-tapping Screw, 1/4" x 3/4"	3
25	Z92119	Winch Cable, 3/8" x 165ft w Forged End	1
26	Z92201	Green Nylon Rope, 1/4" x 9-1/2ft	1
27	Z92205	White Nylon Rope, 1/4" x 18ft	1
28	Z96503	Manual Tube, 3-1/2" Short	1

Drum Frame Assembly



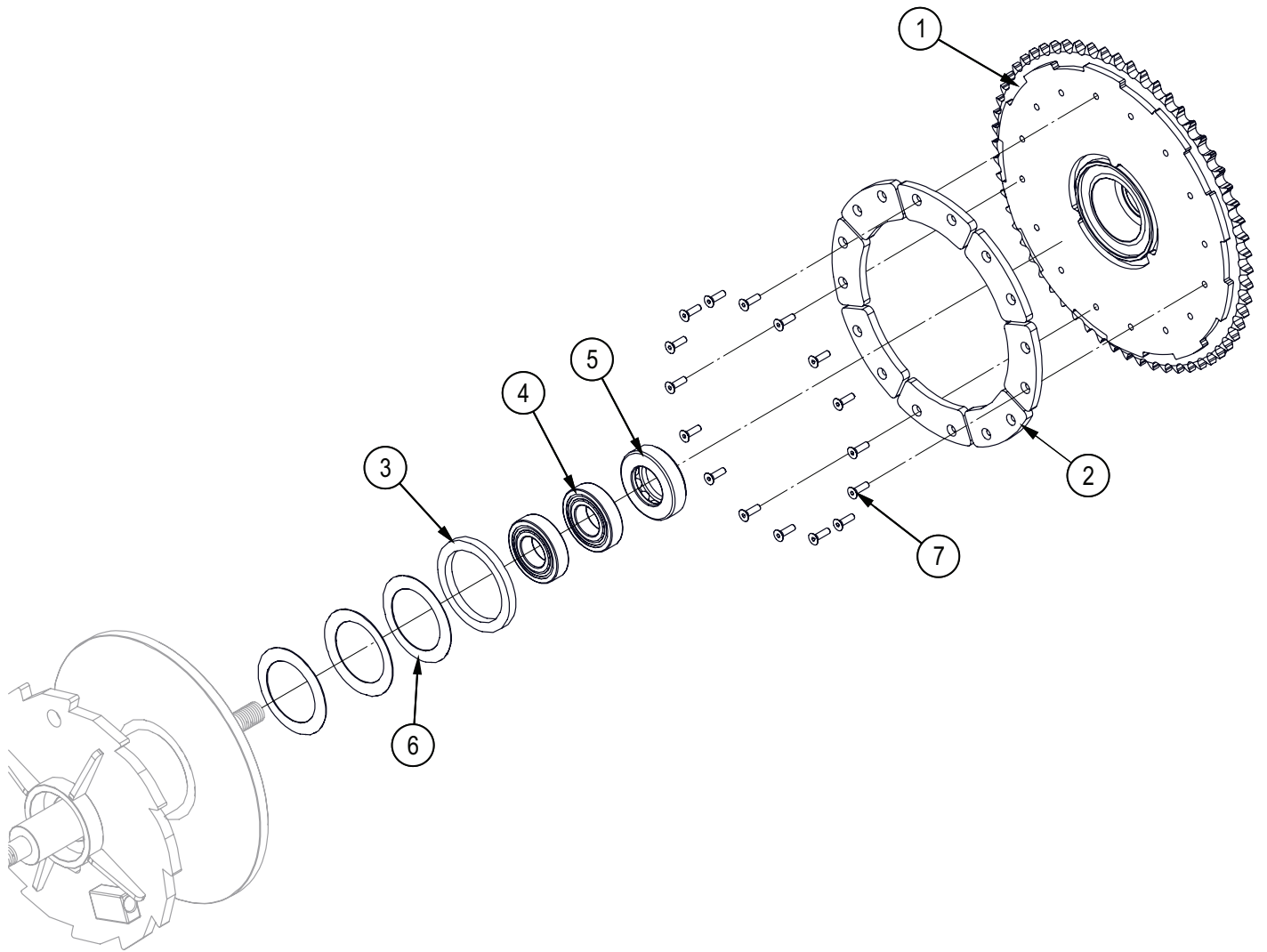
Item No.	Part No.	Description	Qty
1	5011W002	Frame, Main Clutch	1
2	5012W208	PTO Spline Shaft w/ Sprocket	1
3	5011A520	Assembly, Chain Tightener	1
4	5011W007	Arm Frame, Anti-Tangle	1
5	5011M824	Pin, Cable Roller	1
6	5011S155	Roller, Brake Arm	1
7	5012M204	Block, Drum Brake	1
8	Z21202	Ball Bearing, 6207-2RS	2
9	Z29201	Grease Fitting, MP02	1
10	Z31403	Ext Spring, 27mm OD x 178mm x 0.105"	1
11	Z46311	Two-Piece Shaft Collar, 1-1/4" ID x 1/2"	1
12	Z71320	Hex Bolt, 3/8NC x 2"	1
13	Z71555	Hex Bolt, 1/2NC x 5-1/2"	1
14	Z72221	Hex Lock Nut, 5/16NC	1
15	Z72351	Jam Nut, 1/2NC	1
16	Z72531	Serrated Flange Locknut, 3/8NC	3
17	Z71307	Hex Bolt, 3/8NC x 3/4"	2

Cable Drum Assembly



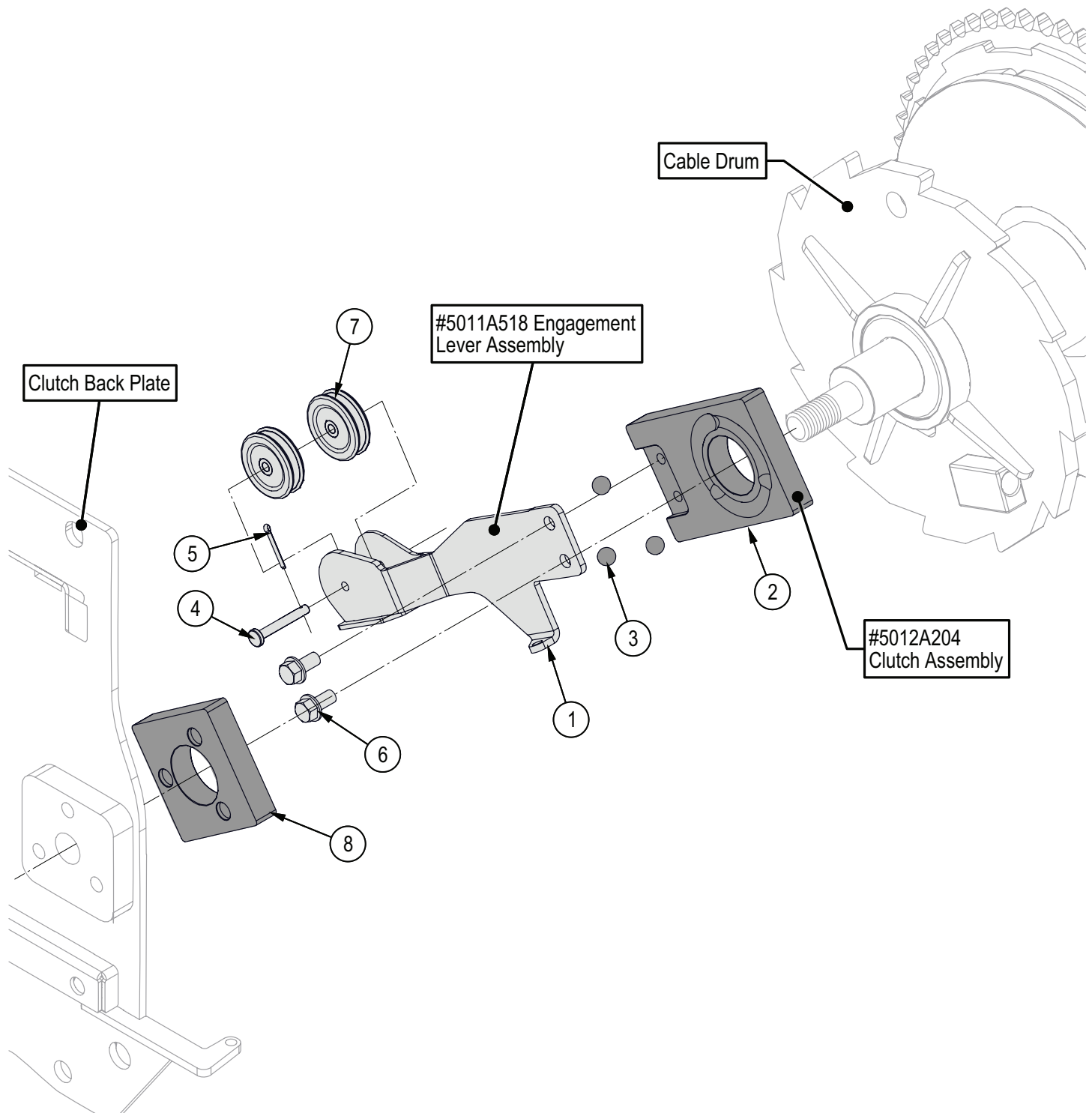
Item No.	Part No.	Description	Qty
1	5011W016	Clutch Back Plate	1
2	5016W503	Cable Drum, FX66	1
3	5012W206	Lock Dog	1
4	5012M214	Main Drum Shaft	1
5	Z42152	Roller Chain, #60 x 37	1
6	Z22101	Thrust Bearing, 1-3/4" ID x 3.09" OD x 13/16"	1
7	Z27101	Fiberglide Bearing, 1-3/4" ID x 2" long x 1/8" wall	2
8	Z71212	Hex Bolt, 5/16NC x 1-1/4"	1
9	Z72261	Hex Lock Nut, 5/8NC	2
10	Z72281	Hex Lock Nut, 7/8NC	1
11	Z72352	Jam Nut, 1/2NF	3
12	Z72958	Rivet Nut, 3/8NC x 150	2
13	Z75151	SHCS, 1/2NF x 2"	3
14	Z76161	Flange Bolt, 5/8NC x 1-1/2"	2
15	Z31405	Ext Spring, 7/8" OD x 7" x 0.125"	1

Clutch Assembly



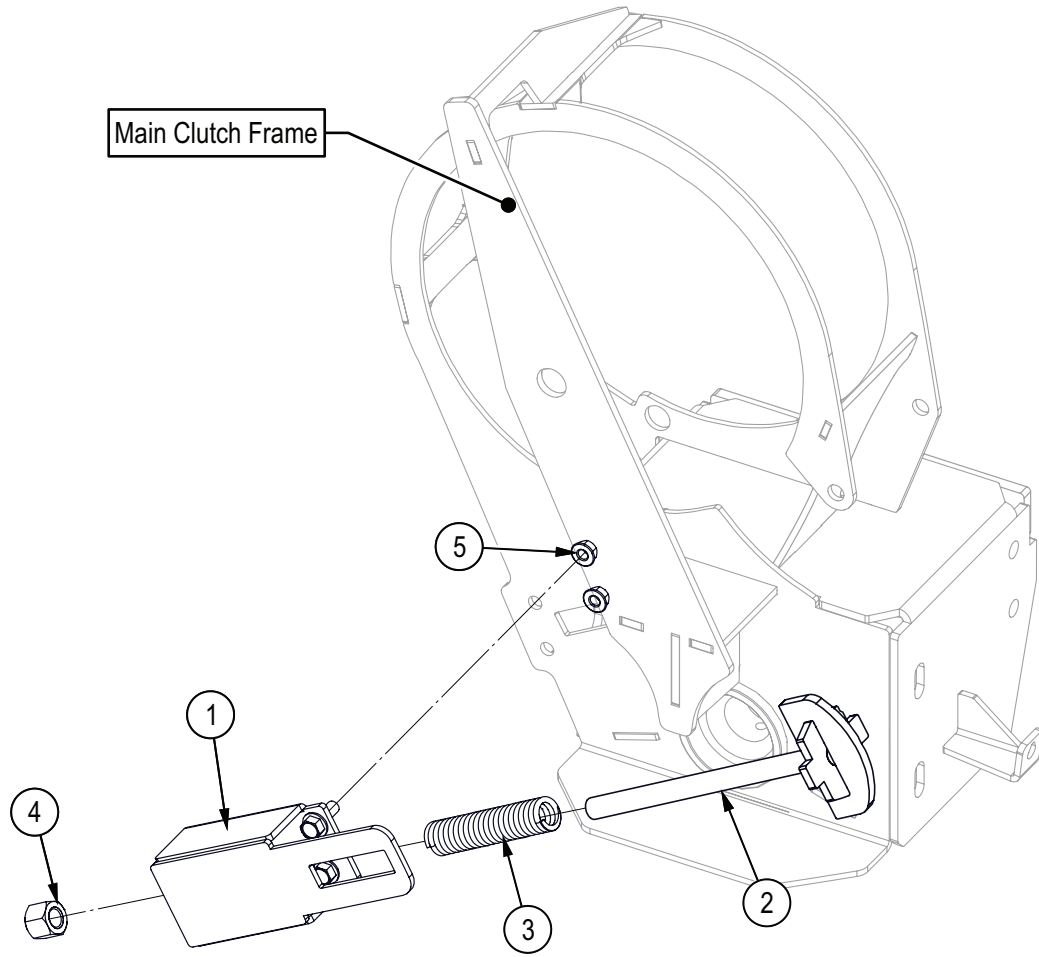
Item No.	Part No.	Description	Qty
1	5012W209	60 Tooth Sprocket	1
2	5011S152	Pad Set, Sprocket	1
3	5012M228	Nylon Bearing Washer	1
4	Z21202	Ball Bearing, 6207-2RS	2
5	Z22101	Thrust Bearing, 1-3/4" ID x 3.09" OD x 13/16"	1
6	Z34101	Cup Spring, 2-3/4" ID x 4" OD x 1mm	3
7	Z75211	FHCS, 1/4NC x 7/8"	16

Engagement Lever Assembly



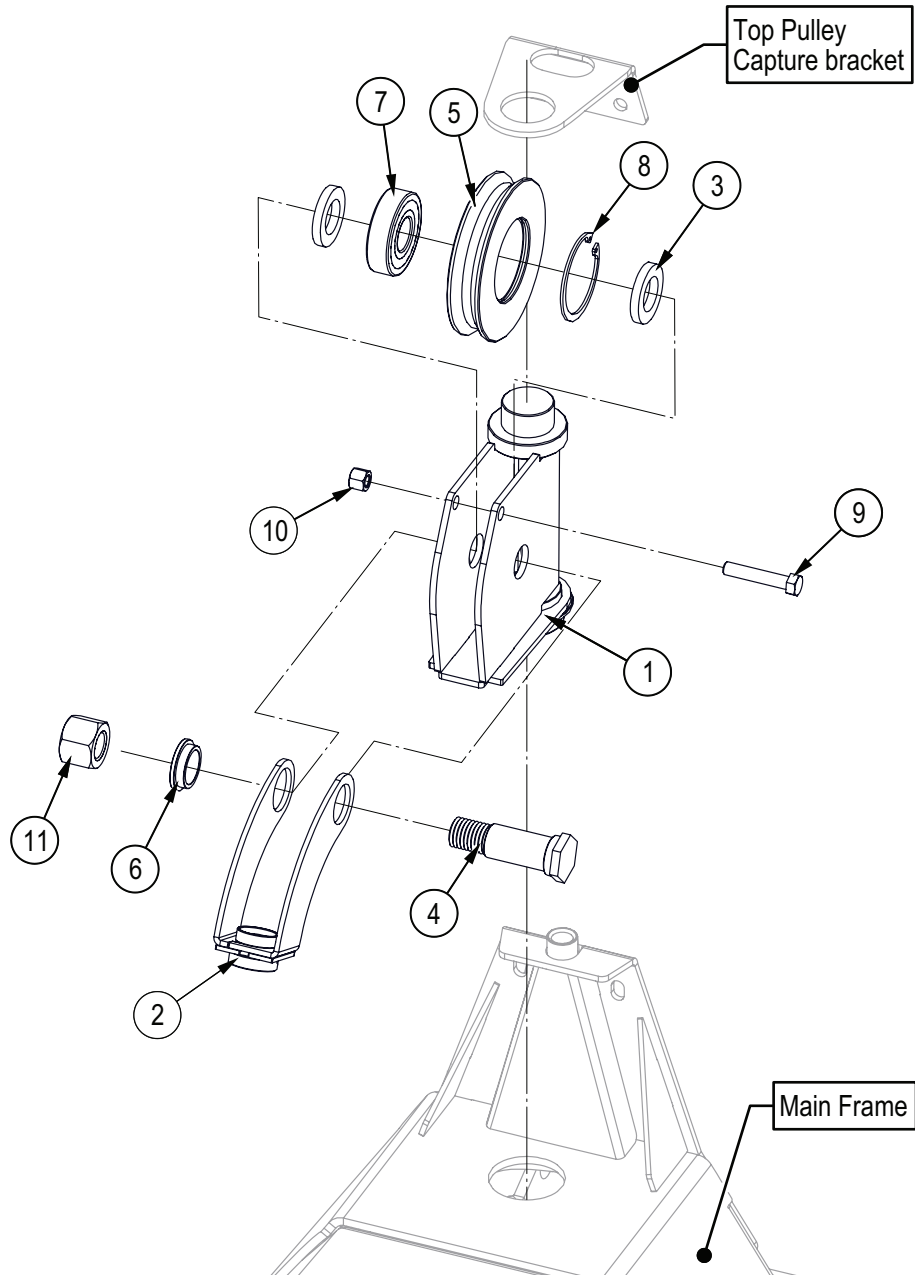
Item No.	Part No.	Description	Qty
1	5011W015	Arm, Clutch Activator	1
2	5012M213	Clutch, Engagment Block-Handle	1
3	Z29101	Roller Ball, 1/2"	3
4	Z11312	Clevis Pin, 1/4" x 1-5/8"	1
5	Z12311	Cotter Pin, 1/8" x 1"	1
6	Z76133	Flange Bolt, 3/8NC x 3/4"	2
7	Z92203	Groove Pulley, 2" x 1/4"	2
8	5012M212	Clutch Engagmnet Nut	1

Chain Tightener Assembly



Item No.	Part No.	Description	Qty
1	5011W017	Chain Tightener Housing	1
2	5012W205	Chain Tightener Plunger	1
3	Z32401	Comp Spring, 1" OD x 7" x 0.162"	1
4	Z72261	Hex Lock Nut, 5/8NC	1
5	Z72531	Serrated Flange Locknut, 3/8NC	2

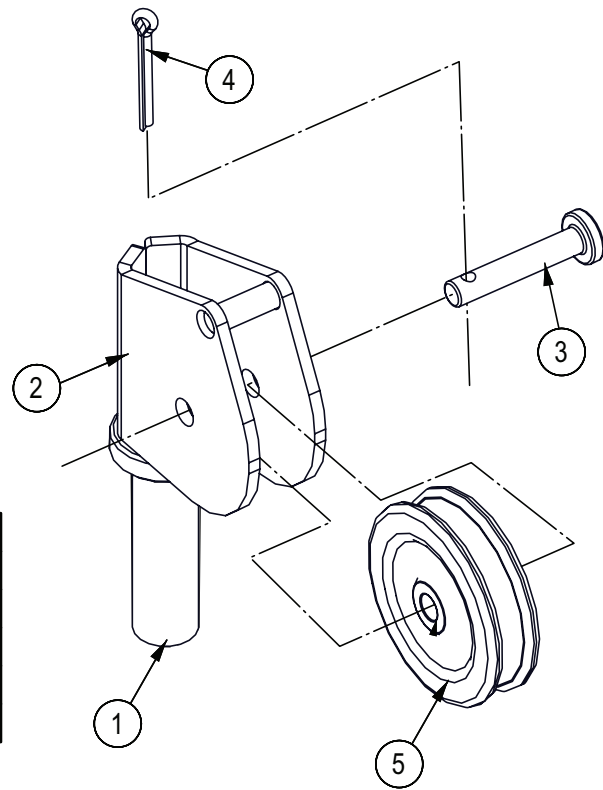
Top Cable Pulley Assembly



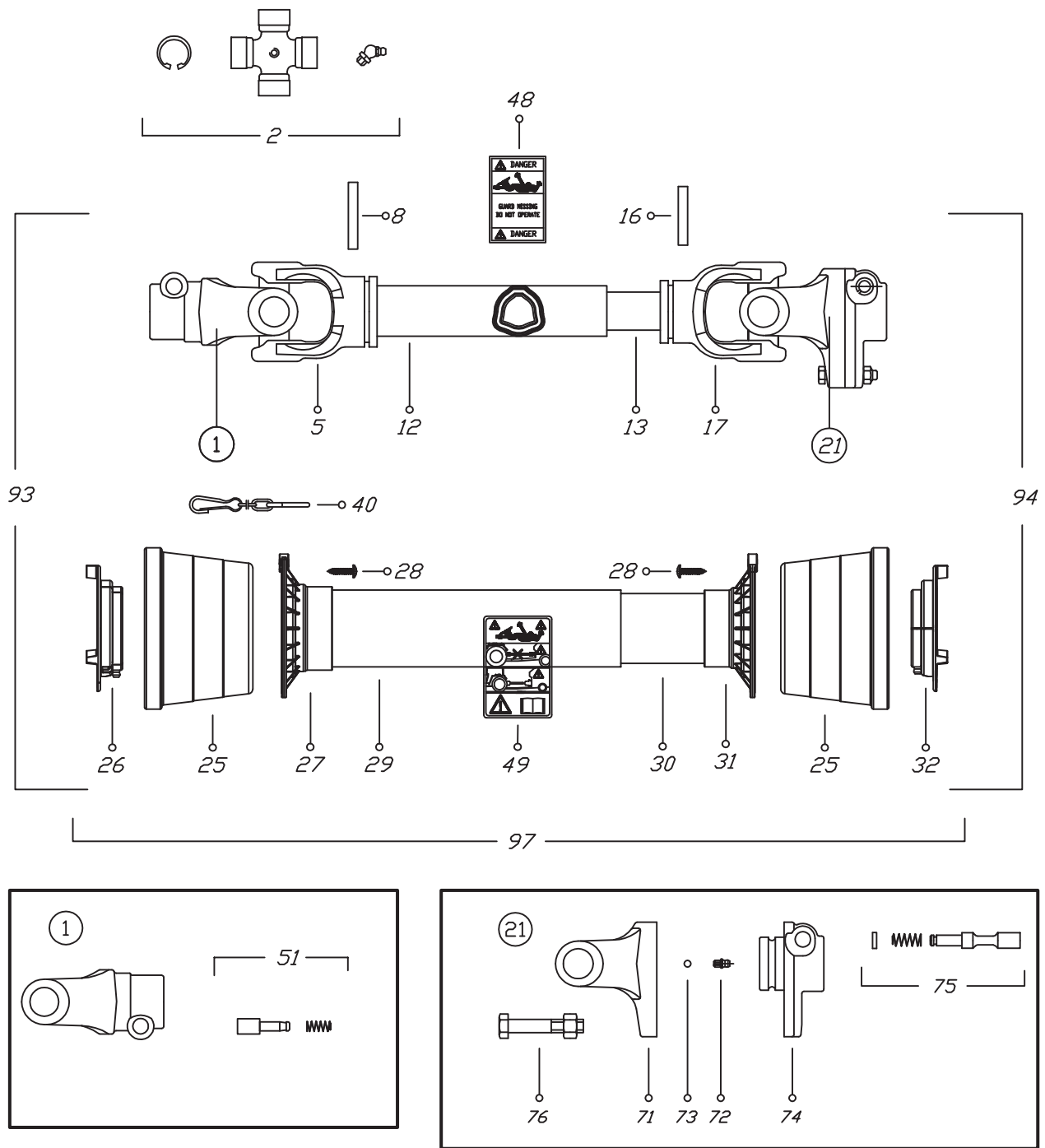
Item No.	Part No.	Description	Qty
1	5011W011	Frame, Top Pulley	1
2	5011W008	Cable Guide	1
3	5011L647	Washer, Pulley Spacer - Narrow	2
4	5011M814	Top Pulley Pin	1
5	5011M816	Cable Pulley	1
6	5012M222	Cable Guide Swing Bushing	1
7	Z21201	Ball Bearing, 6305-2RS	1
8	Z46101	Internal Retaining Ring, 2-7/16"	1
9	Z71320	Hex Bolt, 3/8NC x 2"	1
10	Z72231	Hex Lock Nut, 3/8NC	1
11	Z72281	Hex Lock Nut, 7/8NC	1

Clutch Pulley

Item No.	Description	Description	Qty
1	5012A207	Clutch Rope Pulley	1
2	5012W215	Clutch Rope Pulley Housing	1
3	Z11311	Clevis Pin, 1/4" x 1-1/8"	1
4	Z12311	Cotter Pin, 1/8" x 1"	1
5	Z92203	1/4 Groove Pulley 2 Diam.	1



PTO Shaft

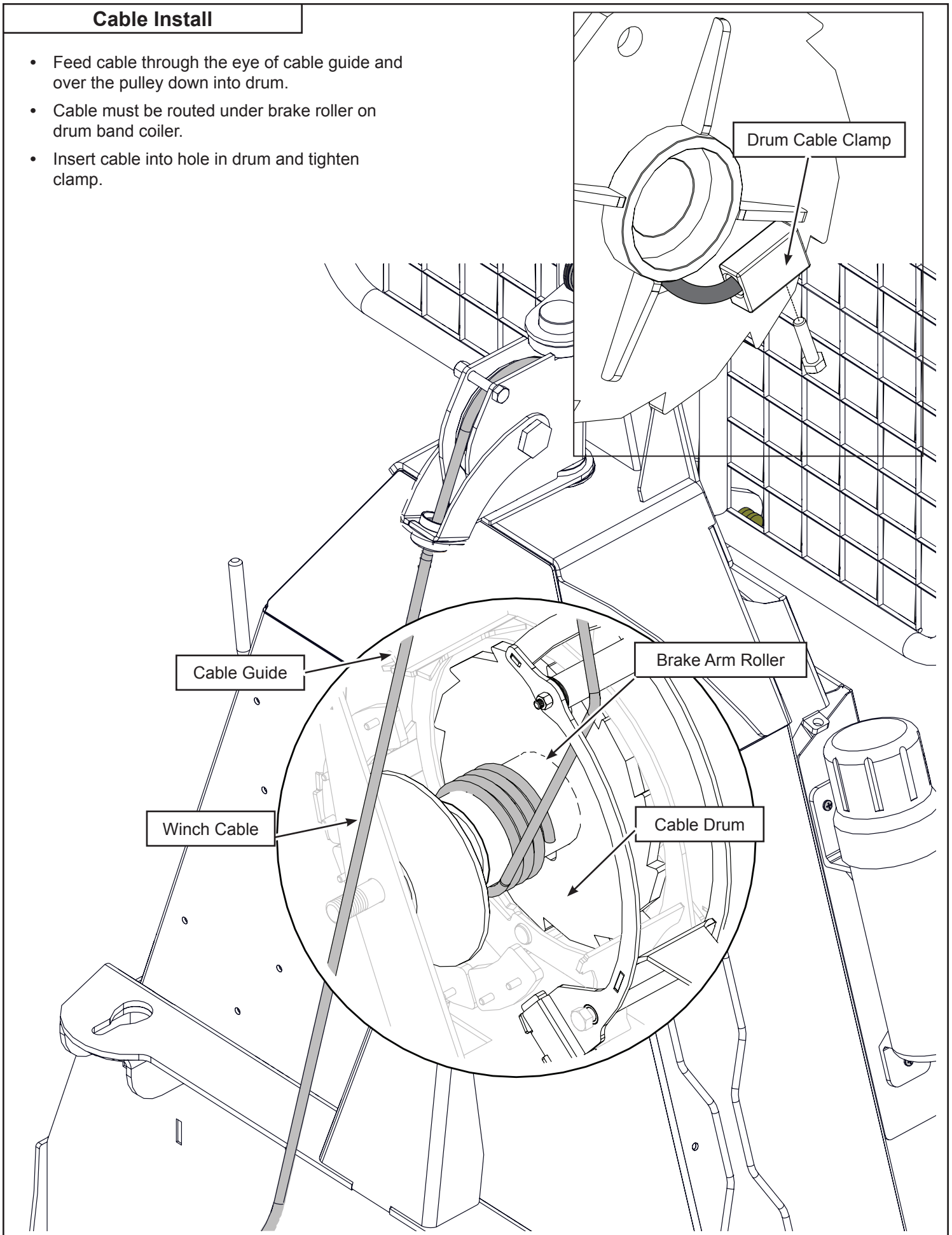


PTO Shaft – P/N Z44402

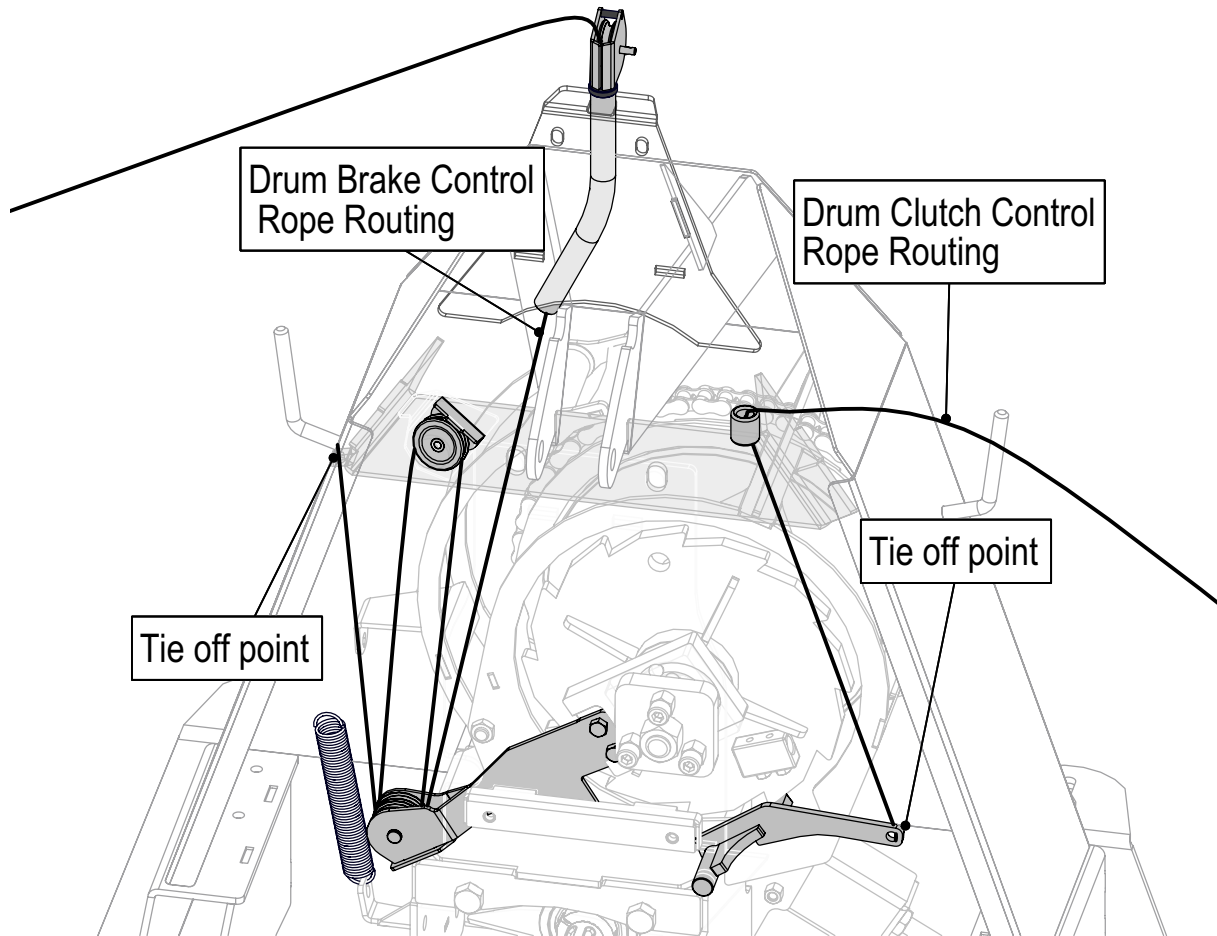
Item.	Description	Qty.	Part Number	Item.	Description	Qty.	Part Number
1	YOKE	1	0800403	31	INNER BASE CONE 03-04	1	025404C002
2	CROSS JOURNAL ASS.	2	08204	32	INNER BEARING 03-04	1	025504C002
5	OUTER TUBE YOKE	1	08004021	40	CHAIN	1	0252000001
8	FLEXIBLE PIN	1	098700860	48	LABEL DANGER OUTER DRIVE TUBE	1	09872006
12	CM. 100 CARDAN TUBE(*)	1	09881433100	49	EXTERNAL SHIELD LABEL	1	09872003
13	CM. 100 CARDAN TUBE(*)	1	09881364100	51	COMPLETE PUSH BUTTTON	1	0986014047
16	FLEXIBLE PIN	1	098700855	71	YOKE FOR LB4	1	08896904
17	INNER TUBE YOKE	1	08004011	72	GREASE NIPPLE	1	0984010150
21	SHEAR BOLT YOKE	1	08805A604633	73	STEEL BALL	23	098680104
25	CONE SHIELD BELL 03-04	2	021904C001	74	HUB	1	088964
26	OUTER BEARING 03-04	1	025504C001	75	PUSH PIN SET	1	0986014075
27	OUTER BASE CONE 03-04	1	025404C001	76	SHEARBOLT AND NUT M8 x 1.25 x 45 10.9	1	Z44902 (Package of 5)
28	SCREW	6	0998052242	93	OUTER HALF SHAFT	1	B4N061US2
29	OUTER SAFETY TUBE	1	0988966NB4061	94	INNER HALF SHAFT	1	B4N061US1098
30	INNER SAFETY TUBE	1	0988961NB4061	97	SAFETY GUARD	1	083US04061

Cable Install

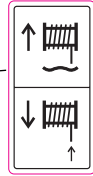
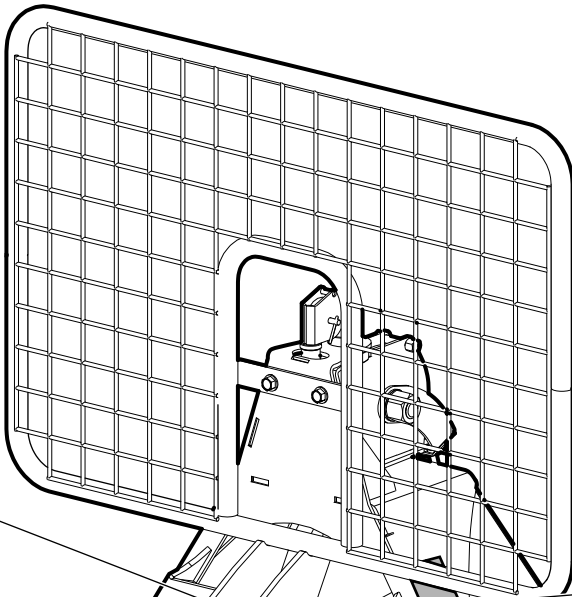
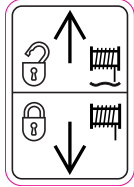
- Feed cable through the eye of cable guide and over the pulley down into drum.
- Cable must be routed under brake roller on drum band coiler.
- Insert cable into hole in drum and tighten clamp.



Brake and Clutch Rope Routing



Decal Layout



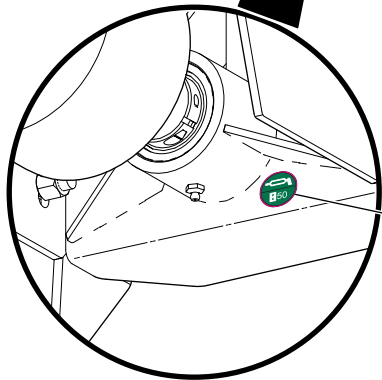
WARNING
Cancer and Reproductive Harm
www.P65Warnings.ca.gov
ADVERTENCIA
Cáncer y Daño Reproductivo
www.P65Warnings.ca.gov



WARNING
ADVERTENCIA



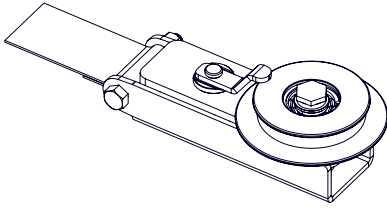
MAX 540 RPM



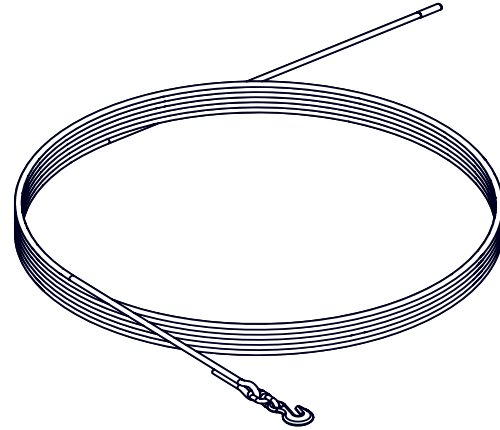
50

Accessories

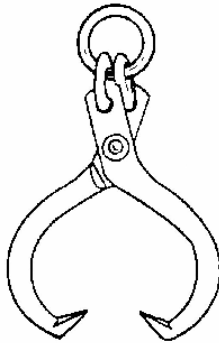
Call your dealer for pricing and availability



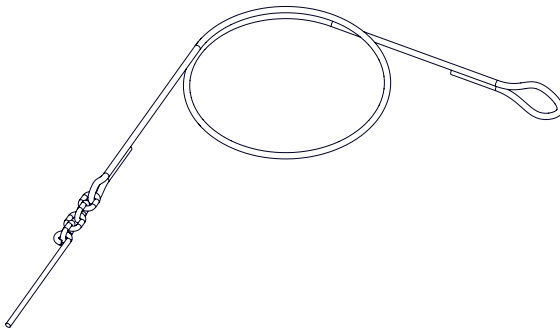
Self Releasing Snatch Block – P/N 5089A100



200 ft (61 m) — 7/16" (11 mm) Synthetic Mainline with Hook – P/N Z92123



Logging Tongs – P/N Z99003



5 ft (1.5 m) Synthetic Choker with Rod Chain End – P/N Z92125

7 ft (2.1 m) Synthetic Choker with Rod Chain End – P/N Z92126


Common Bolt Torque Values

Checking Bolt Torque

The tables shown give correct torque values for various bolts and capscrews. Tighten all bolts to the torque values specified in the table, unless indicated otherwise. Check tightness of bolts periodically.

IMPORTANT! If replacing hardware, use fasteners of the same grade.

IMPORTANT! Torque figures indicated in the table are for non-greased or non-oiled threads. Do not grease or oil threads unless indicated otherwise. When using a thread locker, increase torque values by 5%.

 **NOTE:** Bolt grades are identified by their head markings.

Imperial Bolt Torque Specifications

Bolt Diameter	Torque Value					
	SAE Gr. 2		SAE Gr. 5		SAE Gr. 8	
	lbf•ft	N•m	lbf•ft	N•m	lbf•ft	N•m
1/4"	6	8	9	12	12	17
5/16"	10	13	19	25	27	36
3/8"	20	27	33	45	45	63
7/16"	30	41	53	72	75	100
1/2"	45	61	80	110	115	155
9/16"	60	95	115	155	165	220
5/8"	95	128	160	215	220	305
3/4"	165	225	290	390	400	540
7/8"	170	230	420	570	650	880
1"	225	345	630	850	970	1320



SAE Gr. 2



SAE Gr. 5



SAE Gr. 8

Metric Bolt Torque Specifications

Bolt Diameter	Torque Value			
	Gr. 8.8		Gr. 10.9	
	lbf•ft	N•m	lbf•ft	N•m
M3	0.4	0.5	1.3	1.8
M4	2.2	3	3.3	4.5
M6	7	10	11	15
M8	18	25	26	35
M10	37	50	52	70
M12	66	90	92	125
M16	166	225	229	310
M20	321	435	450	610
M30	1,103	1 495	1,550	2 100
M36	1,917	2 600	2,700	3 675



8.8



10.9