

EMB Manufacturing Inc.

4144 Boomer Line · St. Clements, On · N0B 2M0 · Canada
Ph: (519) 699-9283 · Fax: (519) 699-4146
www.embmfg.com

W4211 Splitter Clamp on Shelf #2073A150

W4211 is compatible with these models:

WX310	WX370	WX440	WX460	WX470	WX515	WX520
WX520T	WX530	WX540	WX615	WX620	WX620T	WX630
WX640	WX910	WX910T	WX980	WXR720	WXR740	

Note: W4211 is not compatible and cannot be installed with W4212 Folding Shelf



This Safety Alert symbol means

ATTENTION! BECOME ALERT! YOUR SAFETY IS INVOLVED!

The Safety Alert symbol identifies important safety messages in this instruction, as well as on the Woodchipper and in the operators manual. When you see this symbol, be alert to the possibility of personal injury or death. Follow the instructions in the safety message.



Caution: this kit is constructed of heavy gauge steel, be sure to use caution moving and installing the kit, avoid dropping or pinching body parts on corners and edges of the kit.



Always wear the appropriate safety gear when installing this kit or working around the machine. This includes but is not limited to:

- Hard hat for protection to the head.
- Face mask for protection to the face and eyes from flying chips.
- Heavy gloves for protection from slivers, chips and pinching.
- Safety shoes with slip resistant soles and steel toes for protection from dropped logs and pieces of wood.



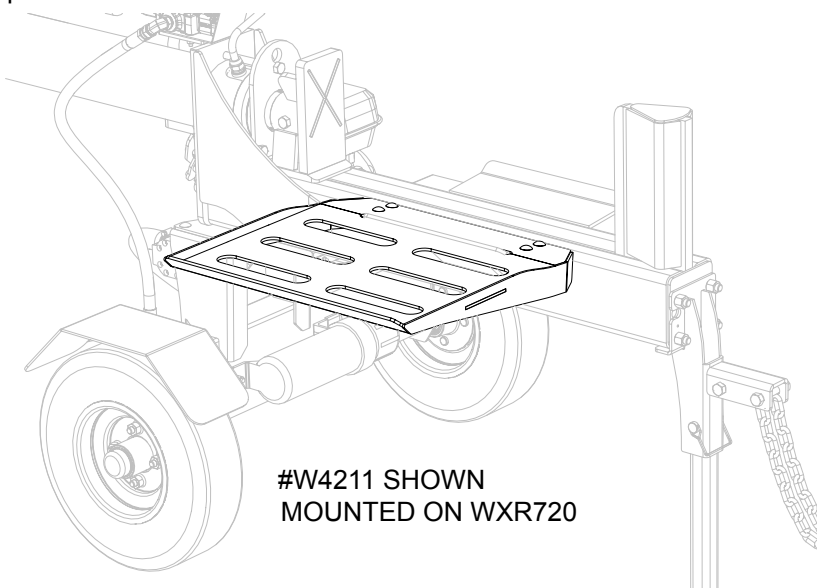
W4211 SPLITTER CLAMP ON SHELF:

The splitter clamp on shelf is designed to be easily installed and will help reduce back strain from repeated bending and lifting. The shelf catches the split wood on the far side of the splitter, making it easier to retrieve for a secondary split.

The Shelf can be installed on the left or right side, but generally on the opposite side you are working from.



Caution: Review your splitter manual for safe operating and handling procedures before beginning work.



#W4211 SHOWN
MOUNTED ON WXR720

PRINTED IN CANADA
Rev: 180417

PART NUMBER: Z97822

over:

INSTALLATION INSTRUCTIONS

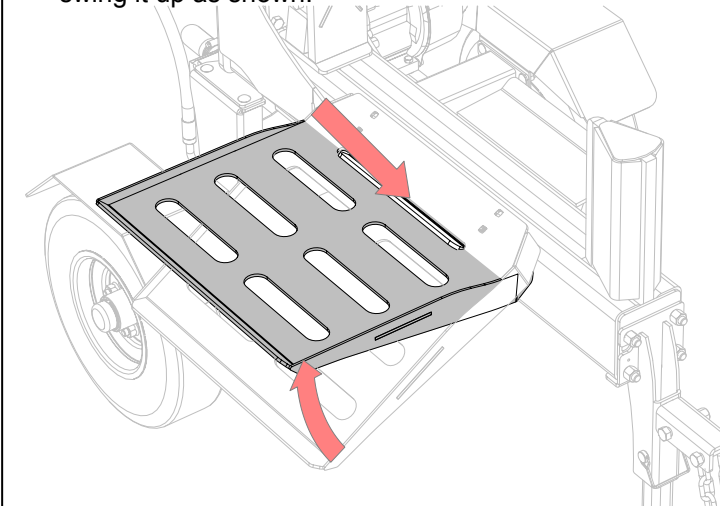


Ensure your wood splitter and the area around it is clean and free of debris, resting on dry level ground, wheel chock applied and the engine shut off. Have the shelf kit and tools close by on a work surface.

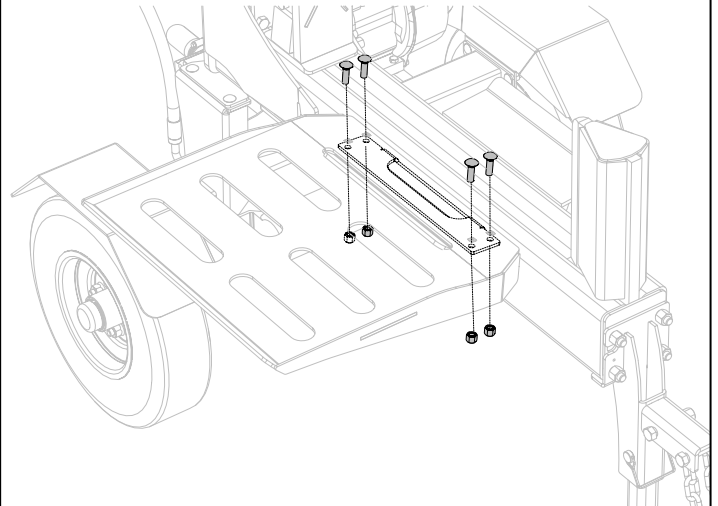
Unpack the shelf kit. Lay the parts out on the work surface and use the parts list in the back of this manual to check that all parts are included. All hardware and small parts are assembled to the parts.

Basic tools needed: 9/16" wrench or socket

1. Slide the shelf over the splitter wing through the slot and swing it up as shown.

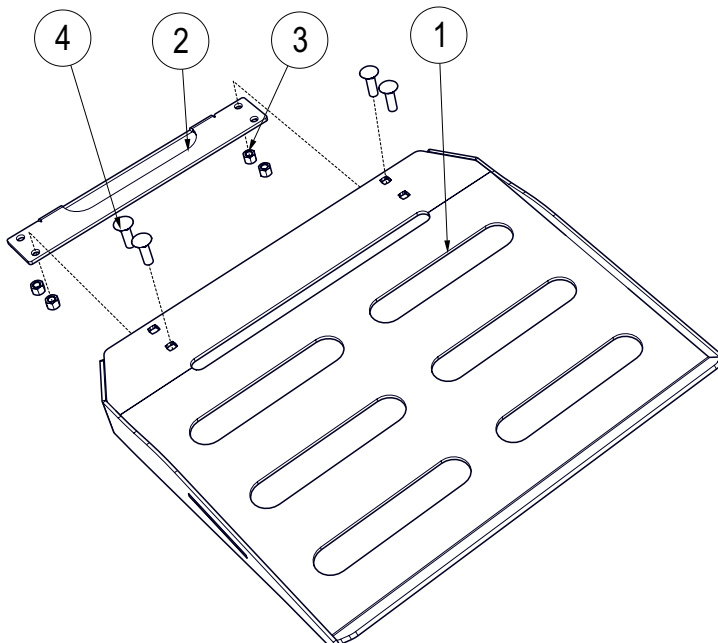


2. Have someone hold the shelf in position and slide in the clamping plate under the wing and bolt to the shelf as shown, using the carriage bolts and lock nuts supplied.



Parts

BOM ID	Part No.	Description	Qty
1	2073W151	Clamping Shelf	1
2	2073L151	Clamping Plate, Shelf Extension	1
3	Z72231	Hex Lock Nut, 3/8NC	4
4	Z76232	Carriage Bolt, 3/8NC x 1-1/4"	4



Warning: Only one worker should operate and load the splitter. A potentially dangerous pinching or crushing hazard arises when the worker loading the machine does not control the hydraulic ram.