



EMB Manufacturing Inc.
4144 Boomer Line · St. Clements, On · N0B 2M0 · Canada
Ph: (519) 699-9283 · Fax: (519) 699-4146
www.embmfg.com

LX5300 SkidSteer Log Grapple Parts Manual

Starting with S/N 6530018



LX5300



Refer to the operators
manual for safe opera-
tion and maintainance

Table of Contents

MAIN ASS'Y	3
GRAPPLE ASS'Y	4
SELECTOR VALVE DETAIL	5
CYLINDER ASS'Y	5
HYDRAULIC SCHEMATIC.....	6

Foreword

EMB Mfg. has prepared this parts manual to assist customers in ordering quality OEM replacement parts.

Proper and regular service and replacing old, worn or broken parts with the correct Wallenstein parts are essential to prolonging the life of your Wallenstein product. Please refer to this manual before ordering any replacement parts.

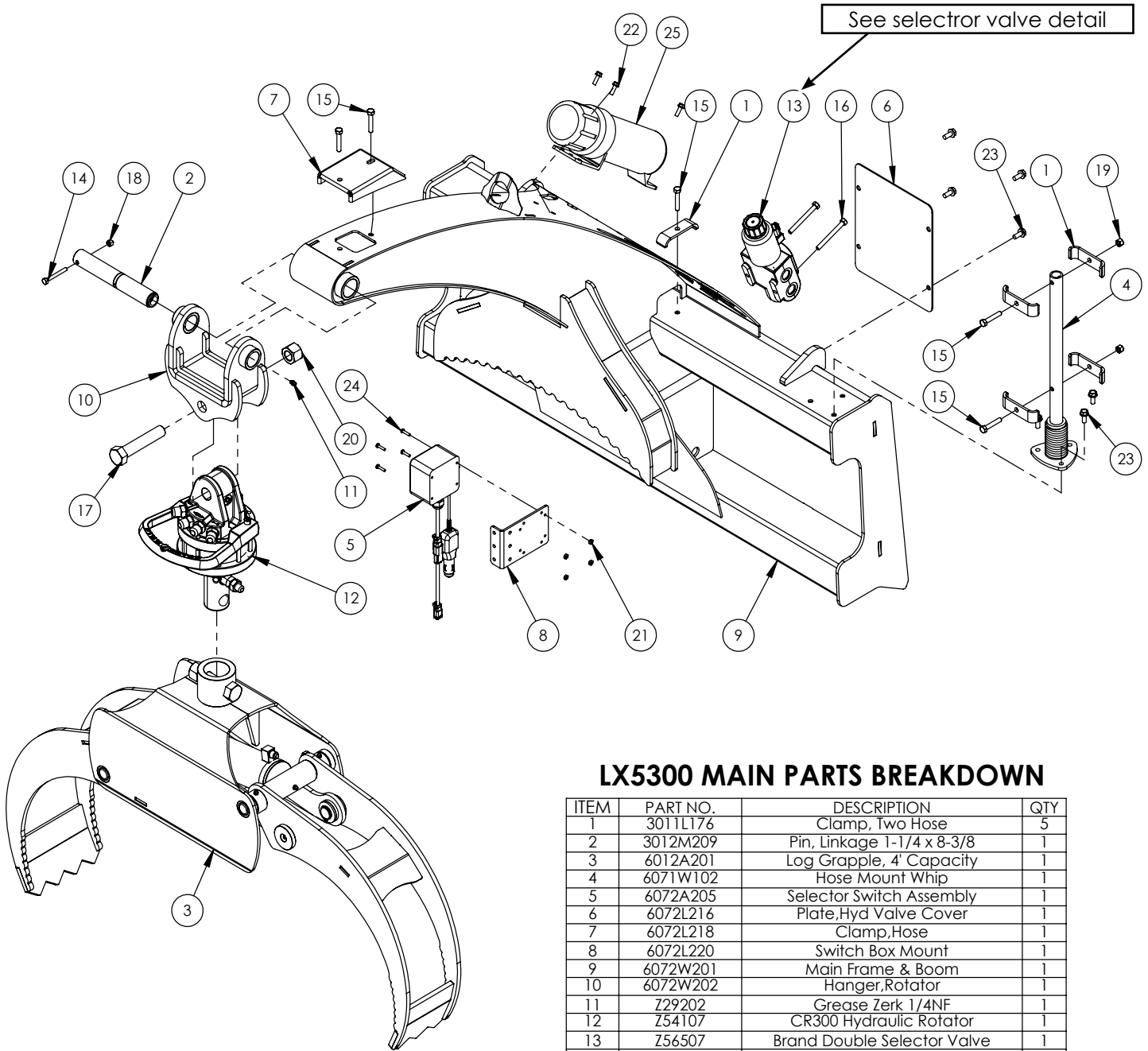
All information contained in this parts manual is based on the latest product specification available at the time of printing this manual. If your product differs from the specifications contained within this manual contact EMB Mfg. for information.

EMB reserves the right to alter specifications on their products at any time.

Reproduction of this parts manual of any kind is prohibited without prior written permission from EMB Mfg.

For parts and information please contact your dealer. If your dealer is no longer available please go to our website: <http://www.embmfg.com> and click on "FIND A DEALER NEAR YOU" for information on a local dealer.

Main Ass'y

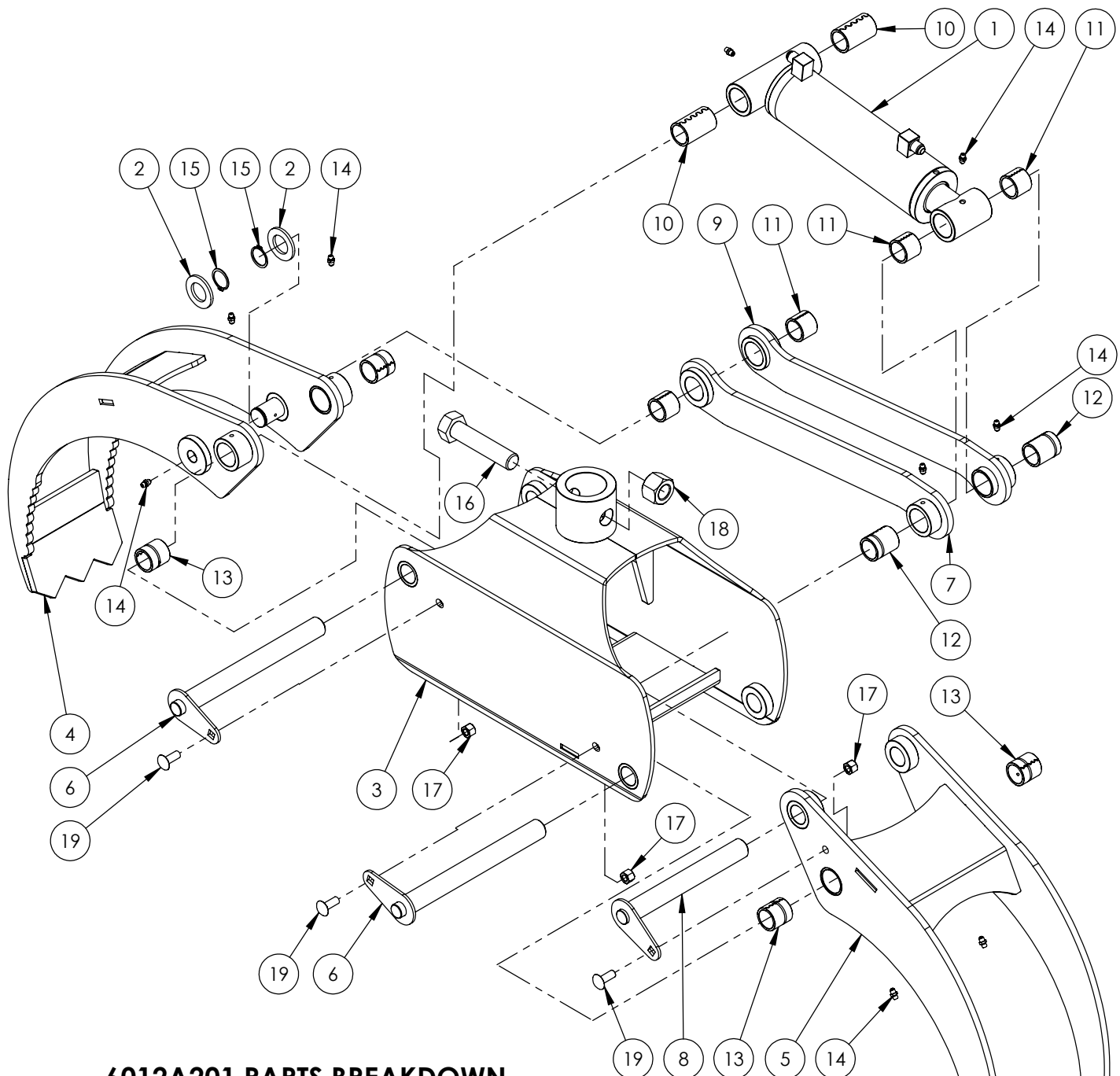


LX5300 MAIN PARTS BREAKDOWN

ITEM	PART NO.	DESCRIPTION	QTY
1	3011L176	Clamp, Two Hose	5
2	3012M209	Pin, Linkage 1-1/4 x 8-3/8	1
3	6012A201	Log Grapple, 4' Capacity	1
4	6071W102	Hose Mount Whip	1
5	6072A205	Selector Switch Assembly	1
6	6072L216	Plate, Hyd Valve Cover	1
7	6072L218	Clamp, Hose	1
8	6072L220	Switch Box Mount	1
9	6072W201	Main Frame & Boom	1
10	6072W202	Hanger, Rotator	1
11	Z29202	Grease Zerk 1/4NF	1
12	Z54107	CR300 Hydraulic Rotator	1
13	Z56507	Brand Double Selector Valve	1
14	Z71122	Hex Bolt, 1/4NC x 2-1/4	1
15	Z71217	Hex Bolt, 5/16NC x 1-3/4	5
16	Z71230	Hex Bolt, 5/16NC x 3	2
17	Z71873	Hex Bolt, 7/8-9NC x 4-1/2	1
18	Z72211	Hex Lock Nut, 1/4NC	1
19	Z72221	Hex Lock Nut, 5/16NC	2
20	Z72281	Hex Lock Nut 7/8NC	1
21	Z72741	Machine Nut, #8-32NC	4
22	Z76111	Flange Bolt, 1/4NC x 3/4	3
23	Z76121	Flange Bolt, 5/16NC x 3/4	7
24	Z78310	Machine Screw, #8-32NC x 1	4
25	Z96503	Manual Tube 3-1/2 Short	1

See hydraulic schematic for hose connections

Grapple Ass'y

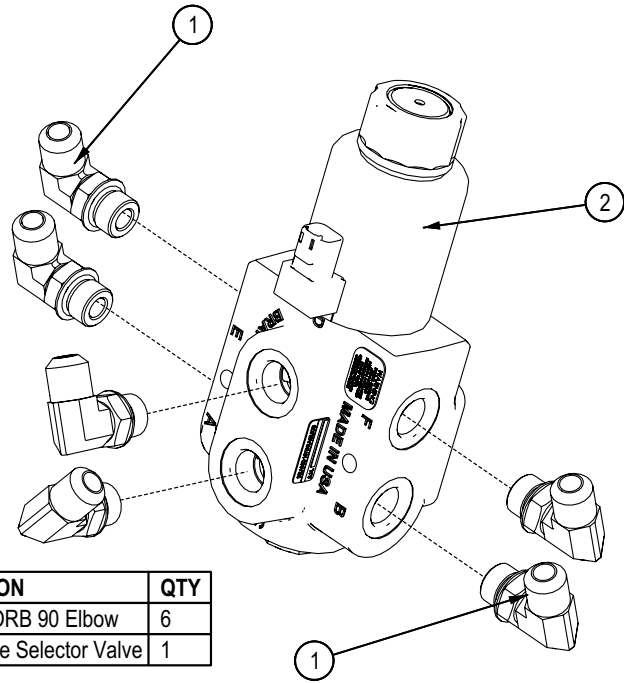


6012A201 PARTS BREAKDOWN

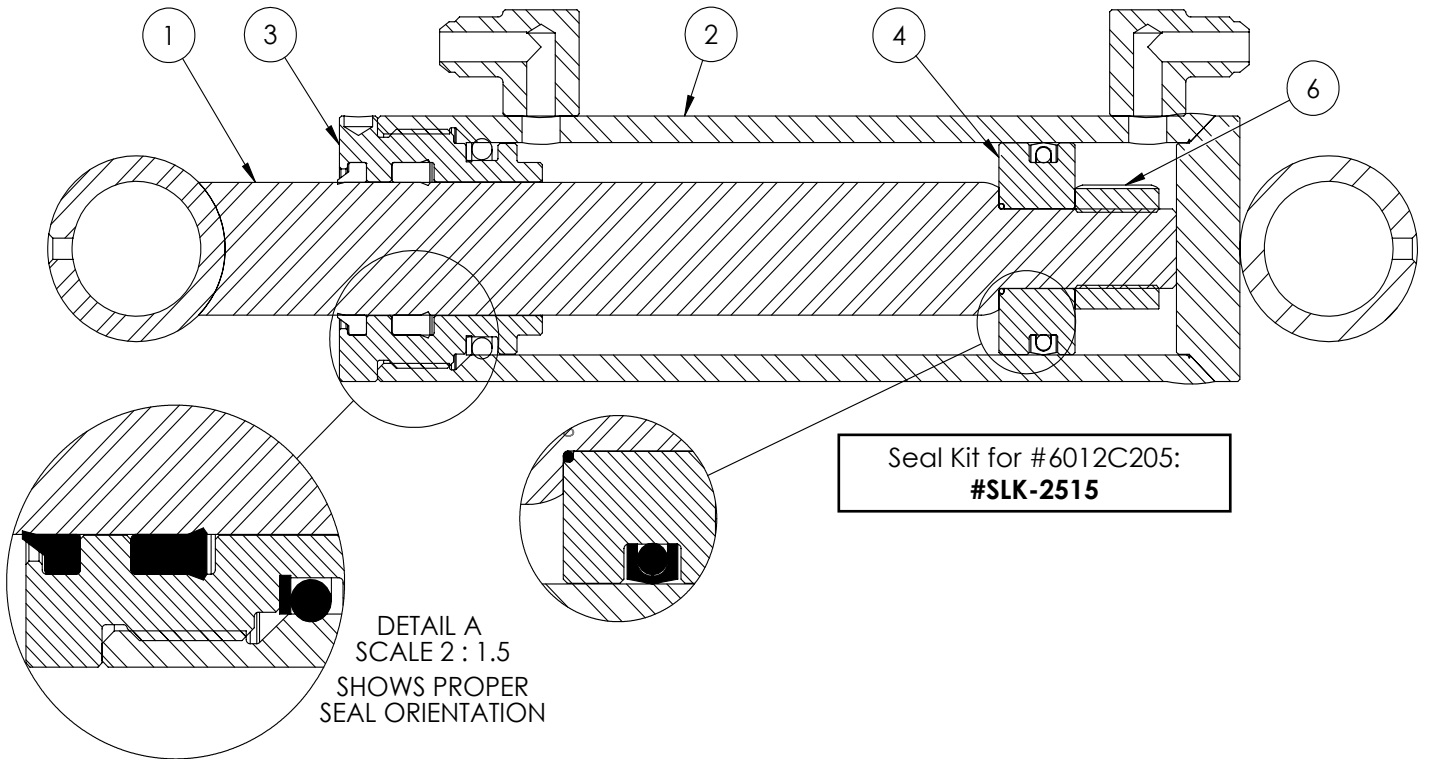
ITEM	PART NO.	DESCRIPTION	QTY
1	6012C205	Cylinder, 2-1/2 x 6	1
2	6012L118	Washer, Linkage	2
3	6012W200	LX480 Main Grapple Frame	1
4	6012W201	Narrow (Inside) Fork	1
5	6012W202	Wide (Outside) Fork	1
6	6012W203	1" Flange Pin	2
7	6012W204	Linkage Bar	1
8	6012W205	1" Hex Head Pin	1
9	6012W207	Linkage Bar	1
10	Z7222	Connex Bushing 1 x 2	2
11	Z7223	Connex Bushing 1 x 1	4
12	Z7226	Connex Bushing 1 x 1-1/2 x 3/8	2
13	Z7227	Connex Bushing, 1 x 1-1/4 x 1/2	4
14	Z29202	Grease Zerk 1/4NF	10
15	Z46204	External Retaining Ring, 1"	2
16	Z71872	Hex Bolt, 7/8NC x 4	1
17	Z72231	Hex Lock Nut 3/8NC	3
18	Z72281	Hex Lock Nut 7/8NC	1
19	Z76231	Carriage Bolt 3/8NC x 1	3

See hydraulic schematic for hose connections

See hydraulic schematic for hose connections



ITEM	PART NO.	DESCRIPTION	QTY
1	Z51653	#8JIC x #8ORB 90 Elbow	6
2	Z56507	Brand Double Selector Valve	1

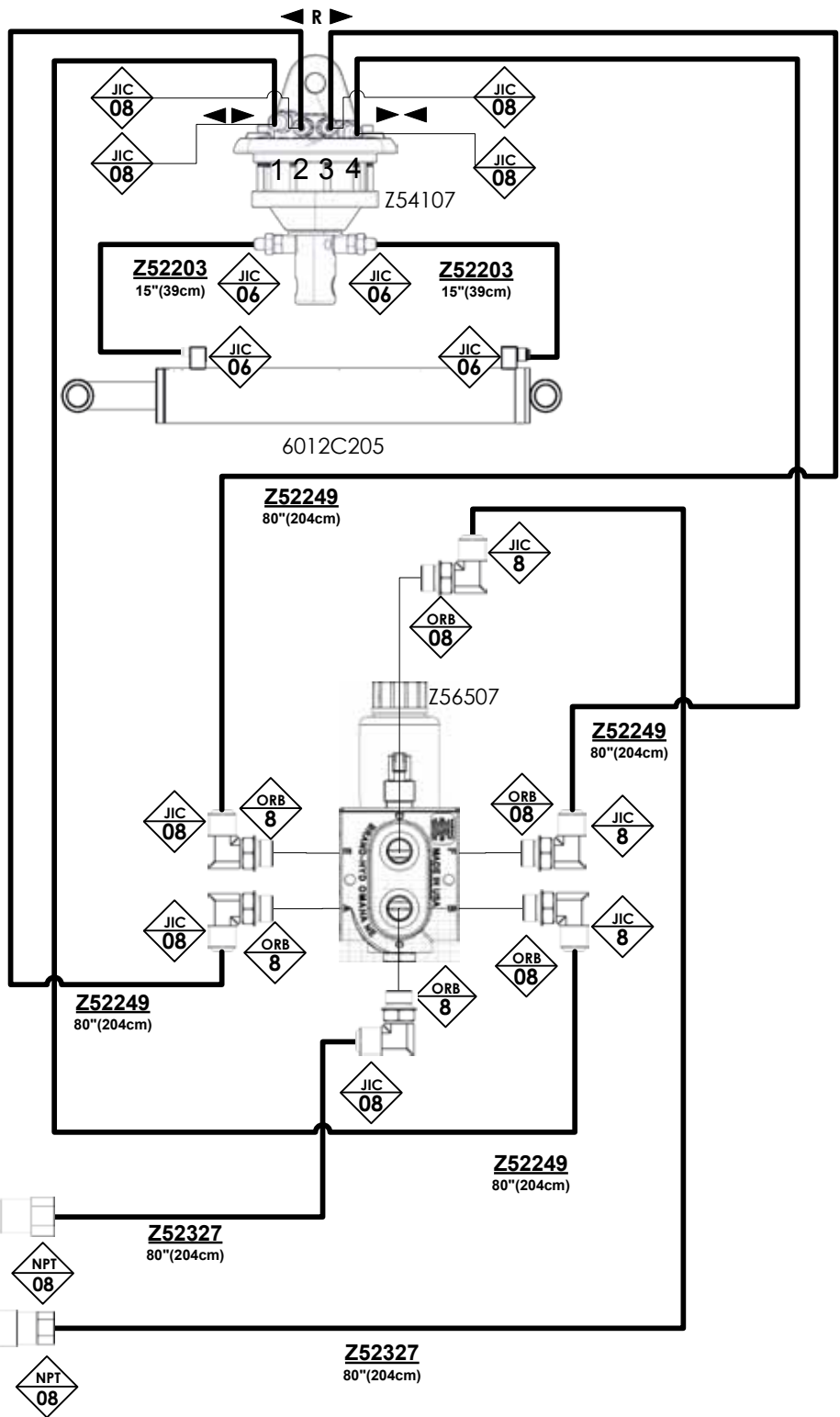


Seal Kit for #6012C205:
#SLK-2515

DETAIL A
SCALE 2 : 1.5
SHOWS PROPER
SEAL ORIENTATION

ITEM	6012C205	Description	QTY.
1	6012C2053	Rod	1
2	6012C2054	Barrel, 2" / 2-1/2" Bore	1
3	G250-150S	Rod Gland	1
4	P100-250SP	2" / 2-1/2" Bore Piston	1
5	SLK-2515	Seal Kit	1
6	Z72272G8	Hex Lock Nut 3/4NF Grade 8	1

Hydraulic Schematic



Fitting Identification

Connection Type

NPT – National Pipe Thread
 JIC – Tube Flare
 ORB – "O" Ring Boss
 HB – Hose Barb

Connection Type

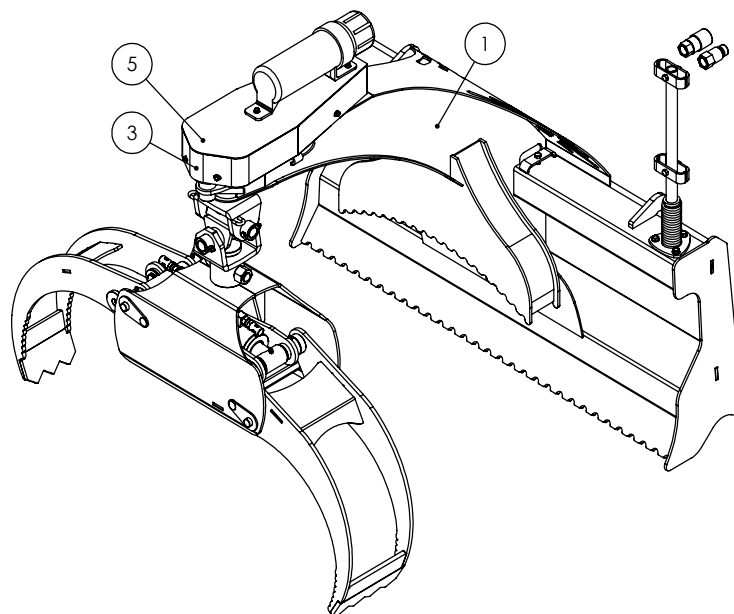
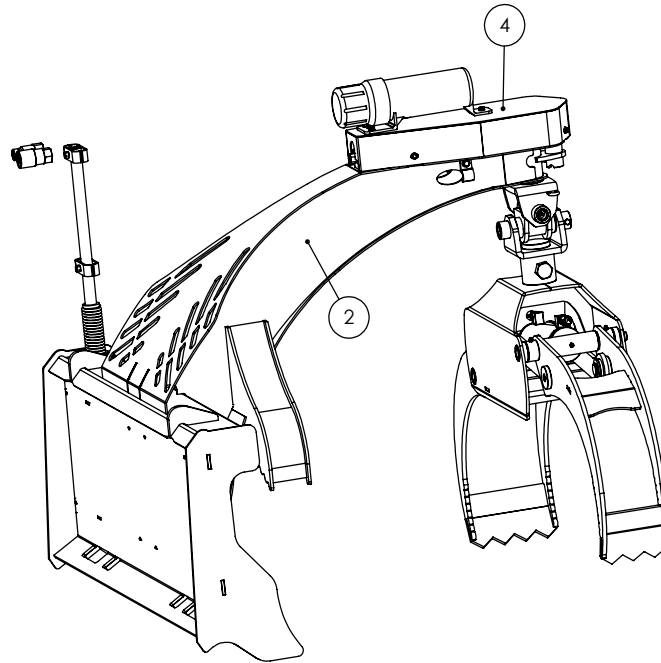
NPT
 12

Connection Size

Part Number	Description	Qty
Z52203	3/8 Hose, #6FJIC x #6FJIC x 15"	2
Z52249	3/8" Hose, FJIC08 x 45FJIC08 x 80	4
Z52327	1/2" Hose, FJIC08 x MP08 x 80"	2

LOG GRAPPLE DECAL BREAKDOWN

ITEM	PART NO.	DESCRIPTION	QTY
1	Z94157	LX5300 LH	1
2	Z94158	LX5300 RH	1
3	Z94019	Made in Canada	1
4	Z94166	Boom/ Grapple Hazard	1
5	Z94119	Read Manual	1



Two Panel LX5300 Decals

Z94019



Z94119



Z94166

