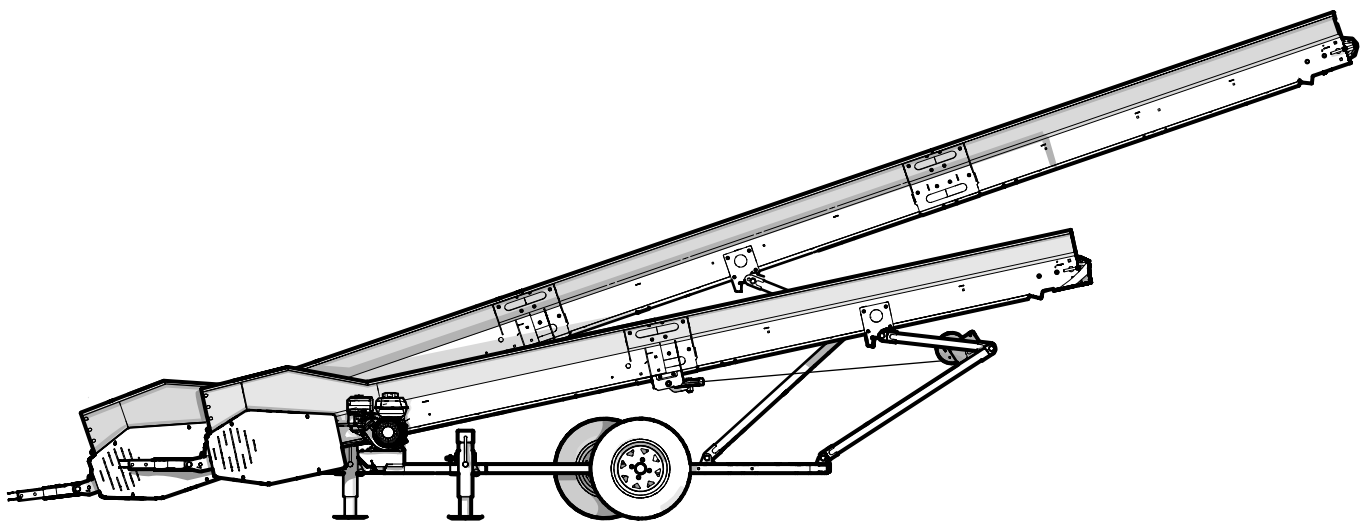


PARTS MANUAL

Serial Number CT16B27 to CT16B39, and 1100000 and up
Serial number CT24B40 to CT24B66, and 1100000 and up

CT16B / CT24B Firewood Conveyor



Foreword

This Wallenstein parts manual is prepared to assist customers in ordering quality OEM replacement parts.

Regular maintenance combined with replacing old, worn or broken parts with the correct OEM parts is essential in prolonging the life of your Wallenstein product. Refer to this manual to identify replacement parts.

To order parts, contact your Wallenstein dealer or distributor. Have the product model and serial number handy.

If your dealer is no longer available, please go to WallensteinEquipment.com. At the bottom of the page, select Dealer Locator.

All information contained in this parts manual is current as per the revision date at the bottom of the page. Wallenstein reserves the right to change product specifications at any time without notice.

If your product specifications differ from those contained in this manual, contact Wallenstein for current information.

Reproduction of information in this parts manual is prohibited without prior written permission from Wallenstein Equipment Inc.

Wallenstein Equipment Inc. • © 2023

WARNING!

For safety, operation, and maintenance information, see the Operator's Manual.

Maintenance should be performed by trained personnel only.

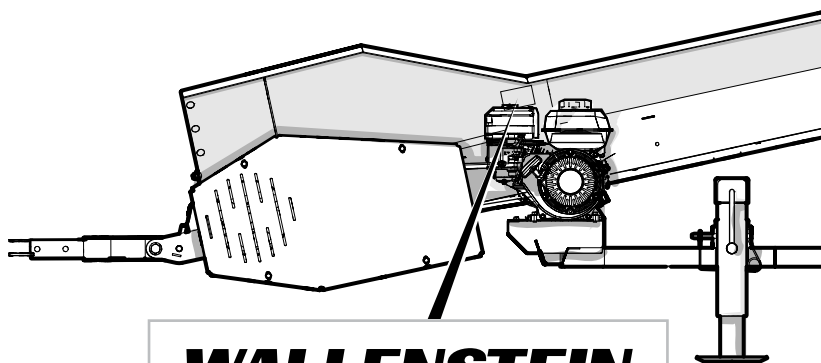
Serial Number Location

Always provide the model and serial number of your Wallenstein product when ordering parts or requesting service or other information. The serial number is on the product information plate as shown below.

Record your product information here for future reference.

Model _____

Serial Number _____



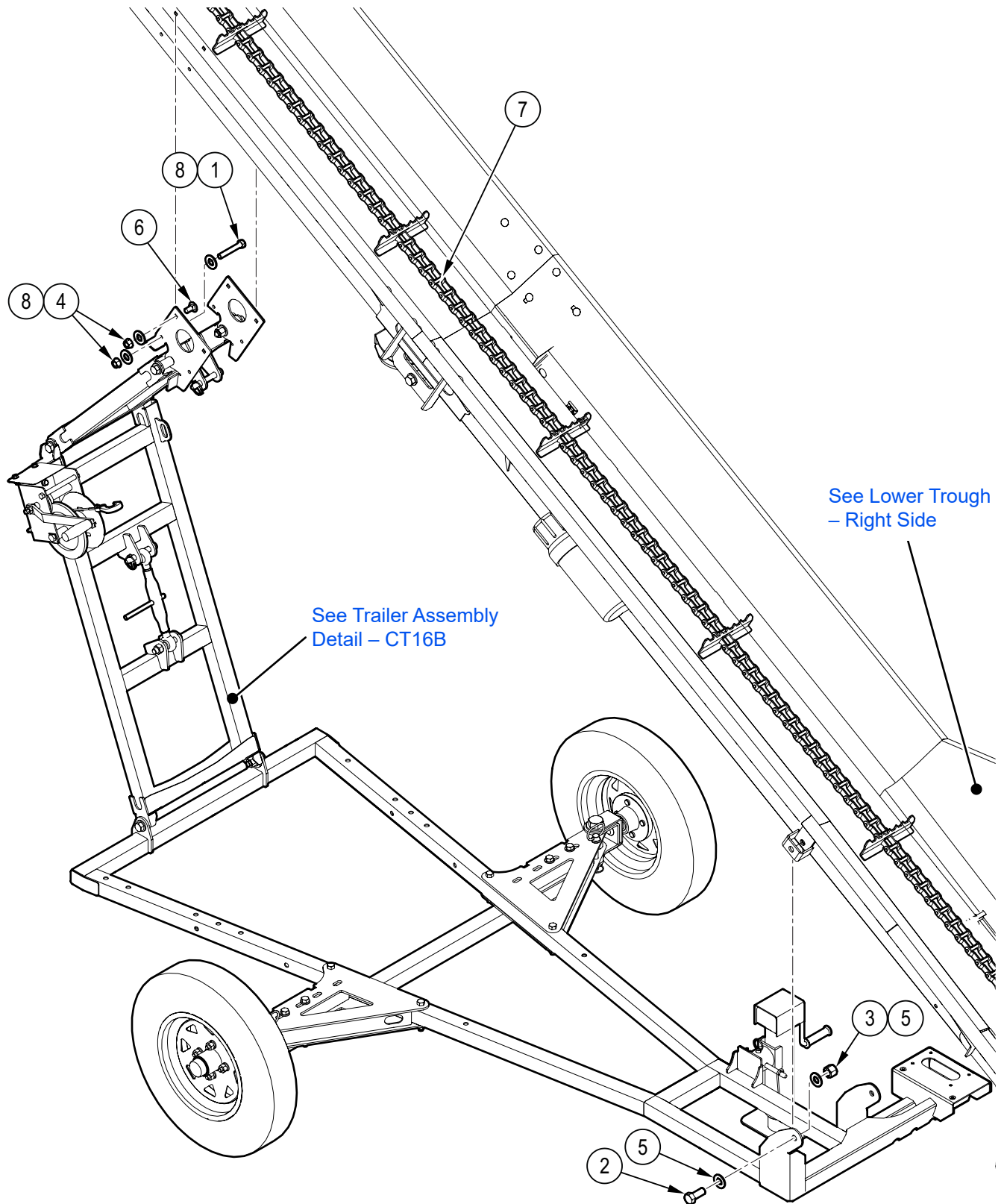
Model and Serial Number Location

www.wallensteinequipment.com

Contents

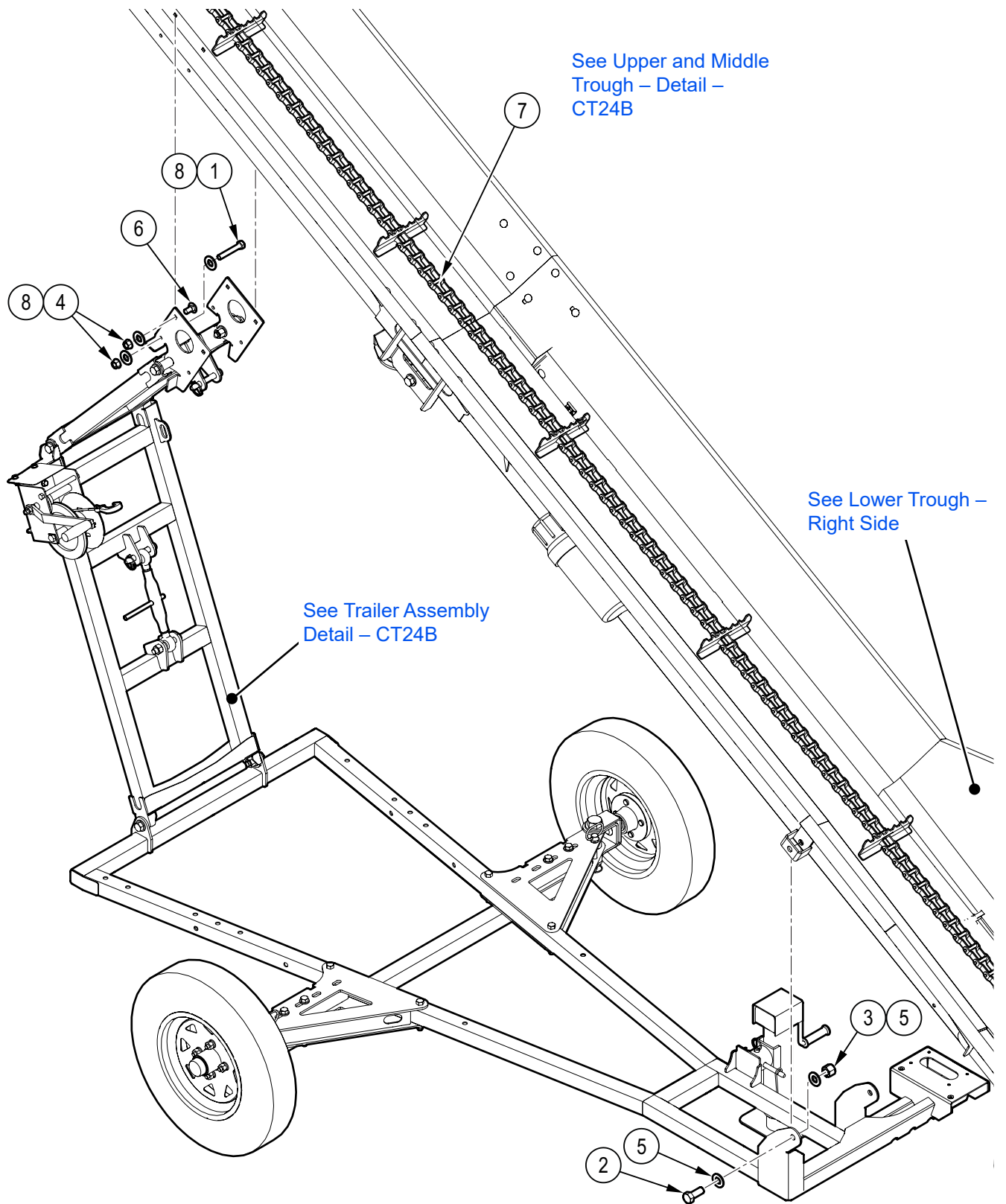
Main Parts – CT16B	4
Main Parts – CT24B	5
Trailer Assembly Detail – CT16B	6
Trailer Assembly Detail – CT24B	7
Folding Frame	8
Upper and Middle Trough Detail – CT24B	9
Lower Trough – Right Side	10
Lower Trough – Left Side	11
Engine and Driveline	12
Idler Sprocket Detail	13
Hub Detail	14
Decal Layout.....	15
Common Bolt Torque Values	16
Wheel Lug Torque	17

Main Parts – CT16B



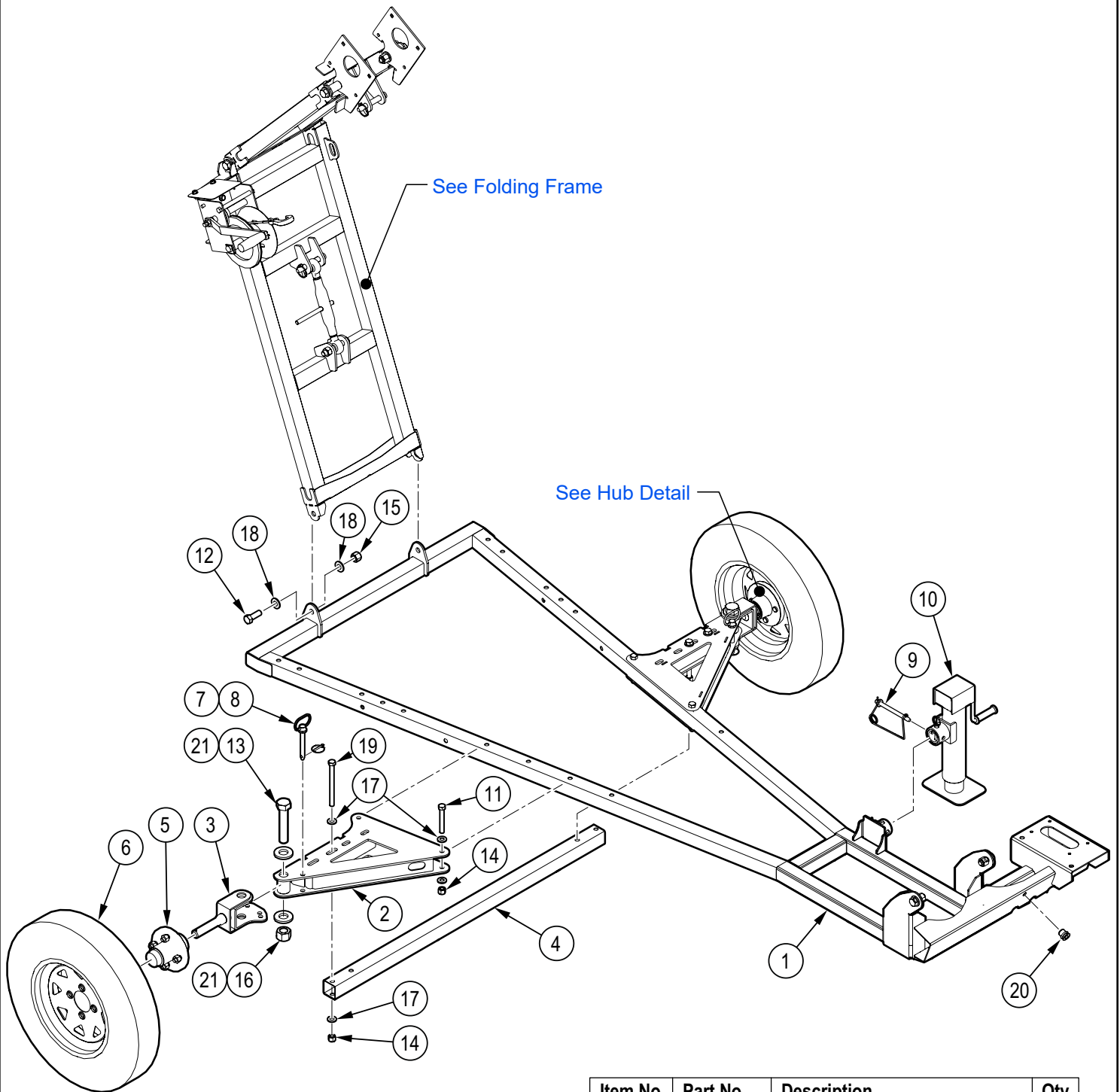
Item No.	Part No.	Description	Qty	Item No.	Part No.	Description	Qty
1	Z71325	Hex Bolt, 3/8NC x 2-1/2"	4	5	Z73161	SAE Washer, 5/8"	4
2	Z71615	Hex Bolt, 5/8NC x 1-1/2"	2	6	Z76231	Carriage Bolt, 3/8NC x 3/8"	4
3	Z72261	Hex Lock Nut, 5/8NC	2	7	2280W257	16ft Conveyor Chain	1
4	Z72231	Hex Lock Nut, 3/8NC	8	8	Z73131G8	SAE Washer, 3/8" Grade 8	12

Main Parts – CT24B



Item No.	Part No.	Description	Qty	Item No.	Part No.	Description	Qty
1	Z71325	Hex Bolt, 3/8NC x 2-1/2"	4	5	Z73161	SAE Washer, 5/8"	4
2	Z71615	Hex Bolt, 5/8NC x 1-1/2"	2	6	Z76231	Carriage Bolt, 3/8NC x 3/8"	4
3	Z72261	Hex Lock Nut, 5/8NC	2	7	2280W258	24ft Conveyor Chain	1
4	Z72231	Hex Lock Nut, 3/8NC	8	8	Z73131G8	SAE Washer, 3/8" Grade 8	12

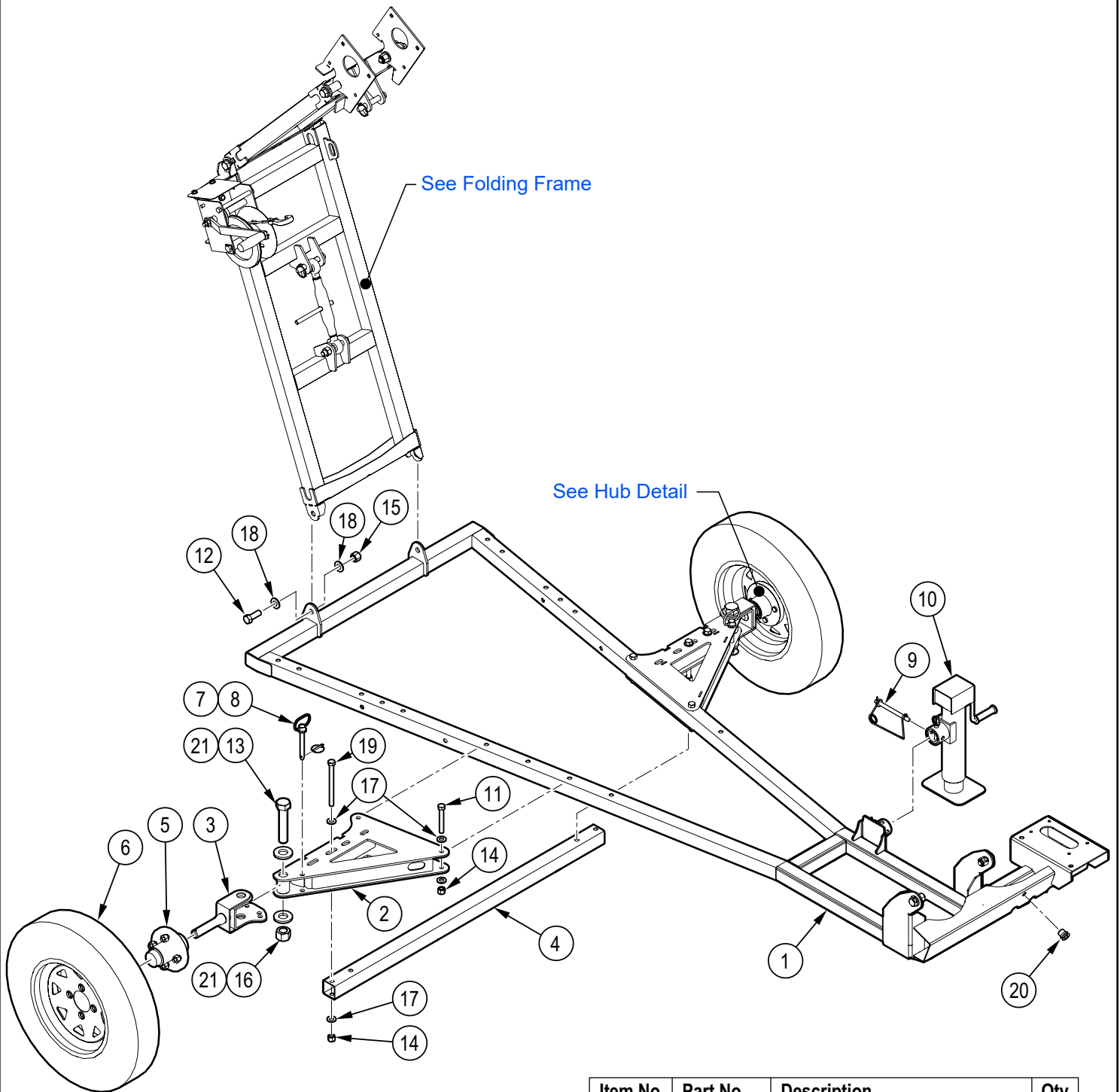
Trailer Assembly Detail – CT16B



Item No.	Part No.	Description	Qty
1	2280W249	Wheel Base Frame	1
2	2280W252	Axle	2
3	2280W202	Wheel Rotator	2
4	2280W254	Spanner Bar	1
5	Z91202	Idler Hub Assy, 1000lbs x 4on4" x 1"	2
6	Z91322	5.30-12 LRC USA Trail 4on4" (E-Marked)	2
7	Z11222	Hitch Pin, 1/2" x 3-1/2"	2
8	Z12110	Lynch Pin, 3/16"	2
9	Z12441	Snap Lock Pin, 1/2" x 4-1/2"	1
10	Z91512	Trailer Jack, Side Wind x 2000lbs	1

Item No.	Part No.	Description	Qty
11	Z71537	Hex Bolt, 1/2NC x 3-3/4"	4
12	Z71617	Hex Bolt, 5/8NC x 1-3/4"	2
13	Z719110	Hex Bolt, 1NC x 5-1/2"	2
14	Z72251	Hex Lock Nut, 1/2NC	8
15	Z72261	Hex Lock Nut, 5/8NC	2
16	Z72291	Hex Lock Nut, 1NC	2
17	Z73151	SAE Washer, 1/2"	8
18	Z73161	SAE Washer, 5/8"	4
19	Z71560	Hex Bolt, 1/2NC x 6"	4
20	Z72956	Rivet Nut, 5/16NC x 150	1
21	Z73191G8	SAE Washer, 1" Grade 8	4

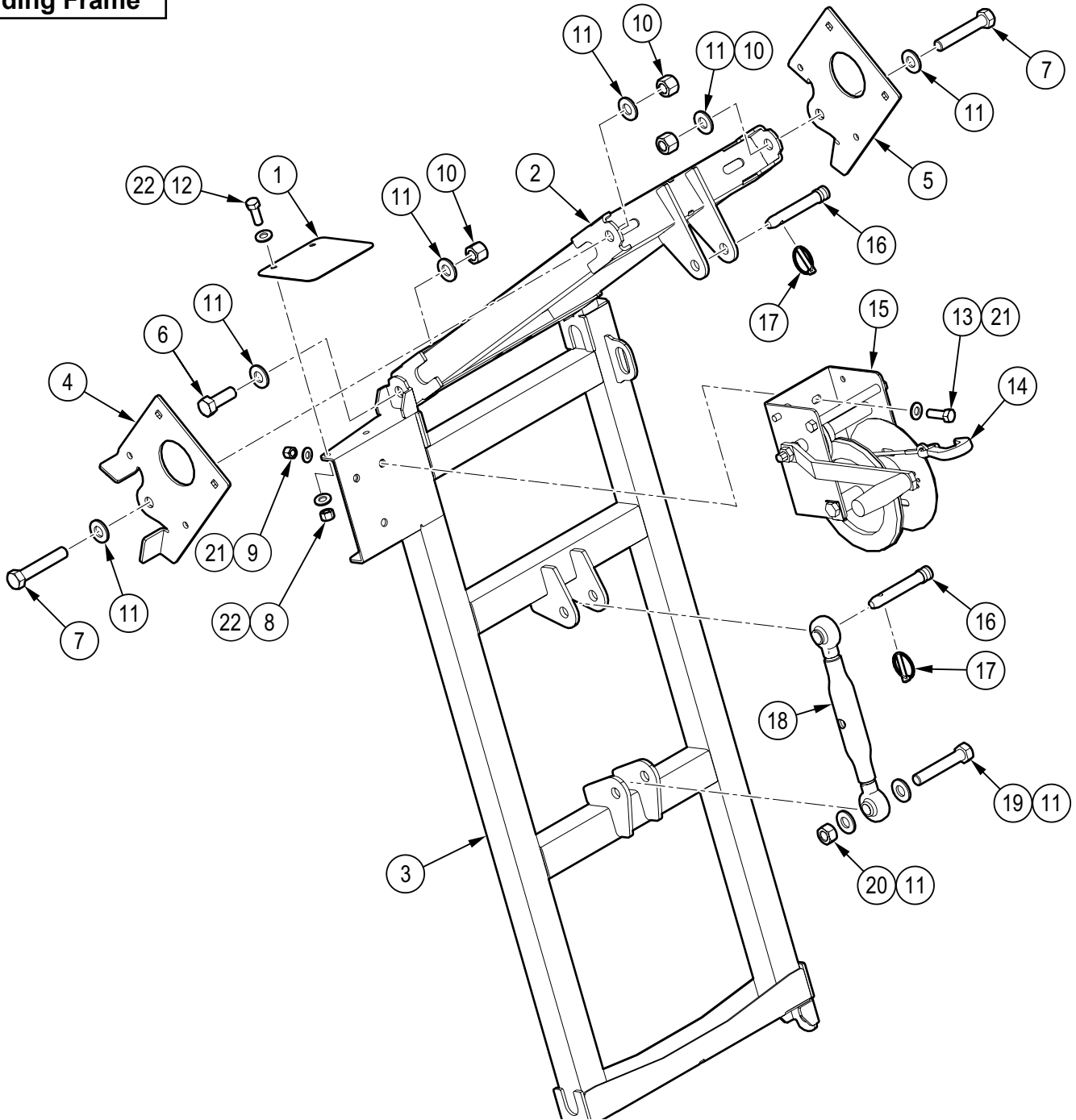
Trailer Assembly Detail – CT24B



Item No.	Part No.	Description	Qty
1	2280W249	Wheel Base Frame	1
2	2280W252	Axle	2
3	2280W202	Wheel Rotator	2
4	2280W254	Spanner Bar	1
5	Z91202	Idler Hub Assy, 1000lbs x 4on4" x 1"	2
6	Z91322	5.30-12 LRC USA Trail 4on4" (E-Marked)	2
7	Z11222	Hitch Pin, 1/2" x 3-1/2"	2
8	Z12110	Lynch Pin, 3/16"	2
9	Z12441	Snap Lock Pin, 1/2" x 4-1/2"	1
10	Z91512	Trailer Jack, Side Wind x 2000lbs	1

Item No.	Part No.	Description	Qty
11	Z71537	Hex Bolt, 1/2NC x 3-3/4"	4
12	Z71617	Hex Bolt, 5/8NC x 1-3/4"	2
13	Z719110	Hex Bolt, 1NC x 5-1/2"	2
14	Z72251	Hex Lock Nut, 1/2NC	8
15	Z72261	Hex Lock Nut, 5/8NC	2
16	Z72291	Hex Lock Nut, 1NC	2
17	Z73151	SAE Washer, 1/2"	8
18	Z73161	SAE Washer, 5/8"	4
19	Z71560	Hex Bolt, 1/2NC x 6"	4
20	Z72956	Rivet Nut, 5/16NC x 150	1
21	Z73191G8	SAE Washer, 1" Grade 8	4

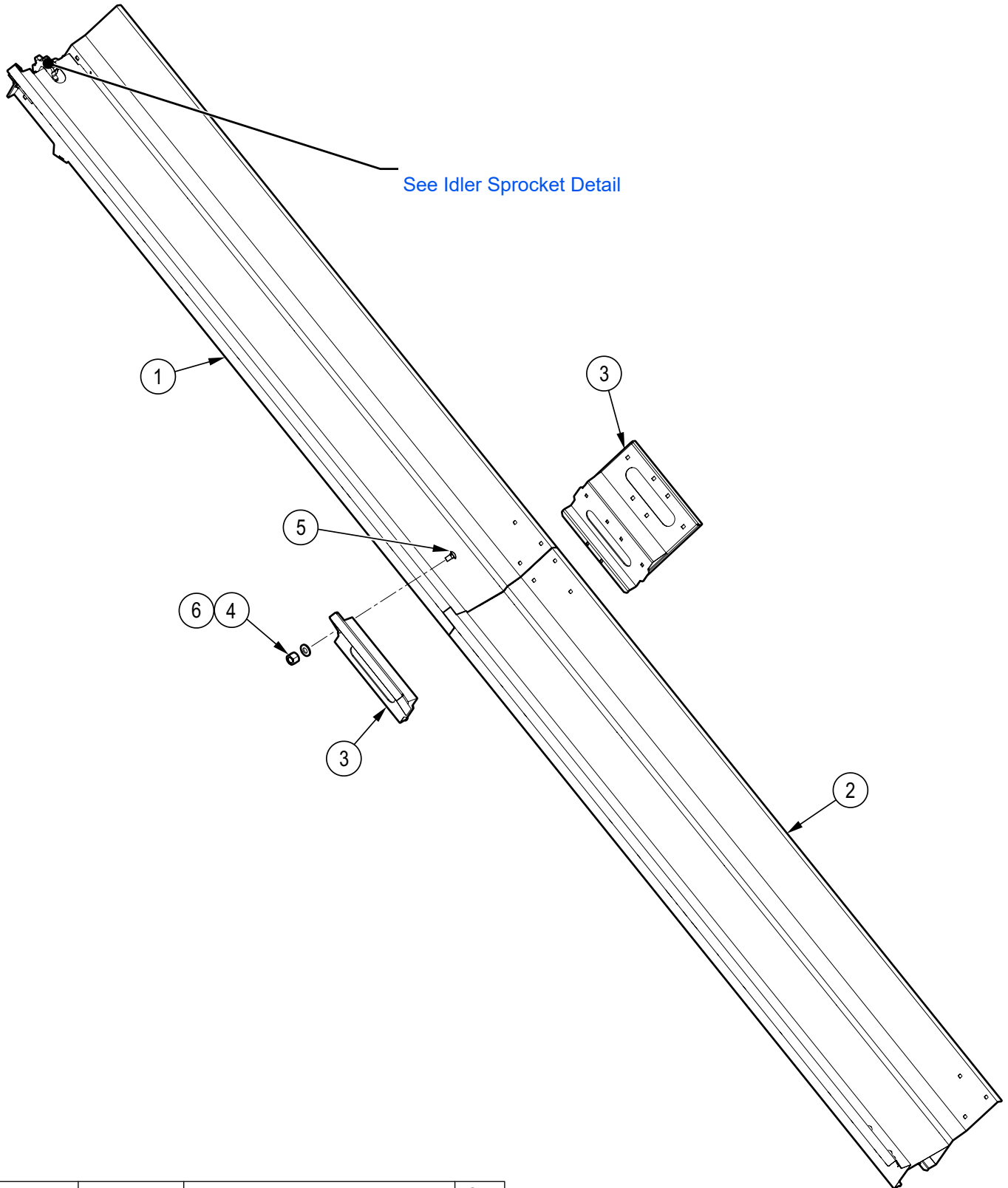
Folding Frame



Item No.	Part No.	Description	Qty
1	2280L277	Guard, Finger	1
2	2280W203	Top Folding Frame	1
3	2280W204	Bottom Folding Frame	1
4	2280W253	Folding Stop	1
5	2280W253H	Mirror	1
6	Z71617	Hex Bolt, 5/8NC x 1-3/4"	2
7	Z71635	Hex Bolt, 5/8NC x 3-1/2"	2
8	Z72221	Hex Lock Nut, 5/16NC	2
9	Z72231	Hex Lock Nut, 3/8NC	3
10	Z72261	Hex Lock Nut, 5/8NC	4

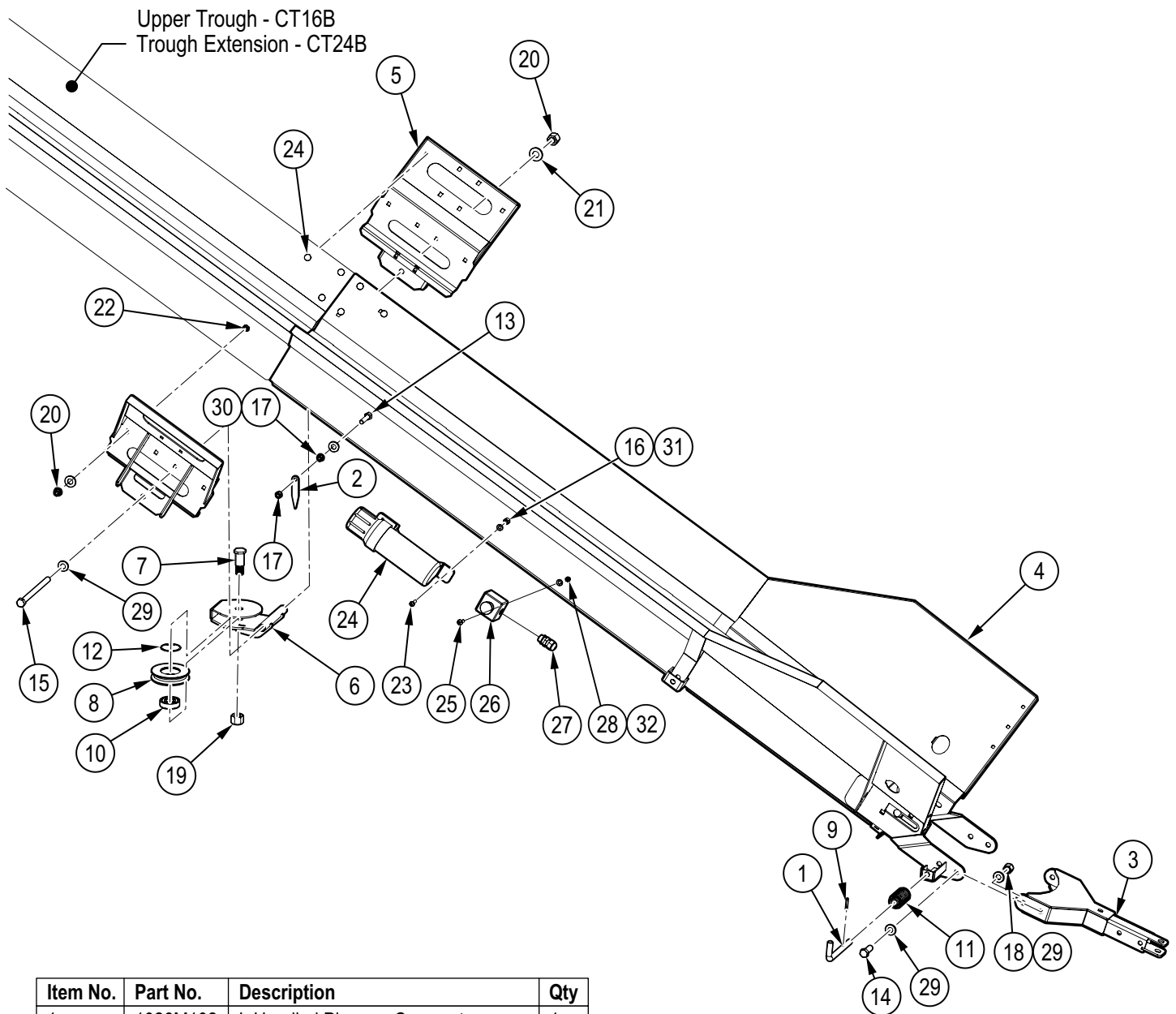
Item No.	Part No.	Description	Qty
11	Z73161	SAE Washer, 5/8"	10
12	Z71210	Hex Bolt, 5/16NC x 1"	2
13	Z71310	Hex Bolt, 3/8NC x 1"	3
14	Z92129	Winch Cable, 3/16" x 25ft with Hook	1
15	Z92906	Hand Winch, 1500lbs With Brake	1
16	Z11111	Toplink Pin, 5/8" x 2-3/4"	2
17	Z12120	Lynch Pin, 1/4"	2
18	Z11501	Cat 0 Toplink	1
19	Z71635	Hex Bolt, 5/8NC x 3-1/2"	1
20	Z72161	Hex Nut, 5/8NC	1
21	Z73131G8	SAE Washer, 3/8" Grade 8	6
22	Z73122G8	SAE Washer, 5/16" Grade 8	4

Upper and Middle Trough Detail – CT24B



Item No.	Part No.	Description	Qty
1	2280W244	Upper Trough Trailer	1
2	2280W225	Trough Extension	1
3	2280L224	Joiner Lifter Side RH	2
4	Z72231	Hex Lock Nut, 3/8NC	24
5	Z76231	Carriage Bolt, 3/8NC x 1"	24
6	Z73131G8	SAE Washer, 3/8" Grade 8	48

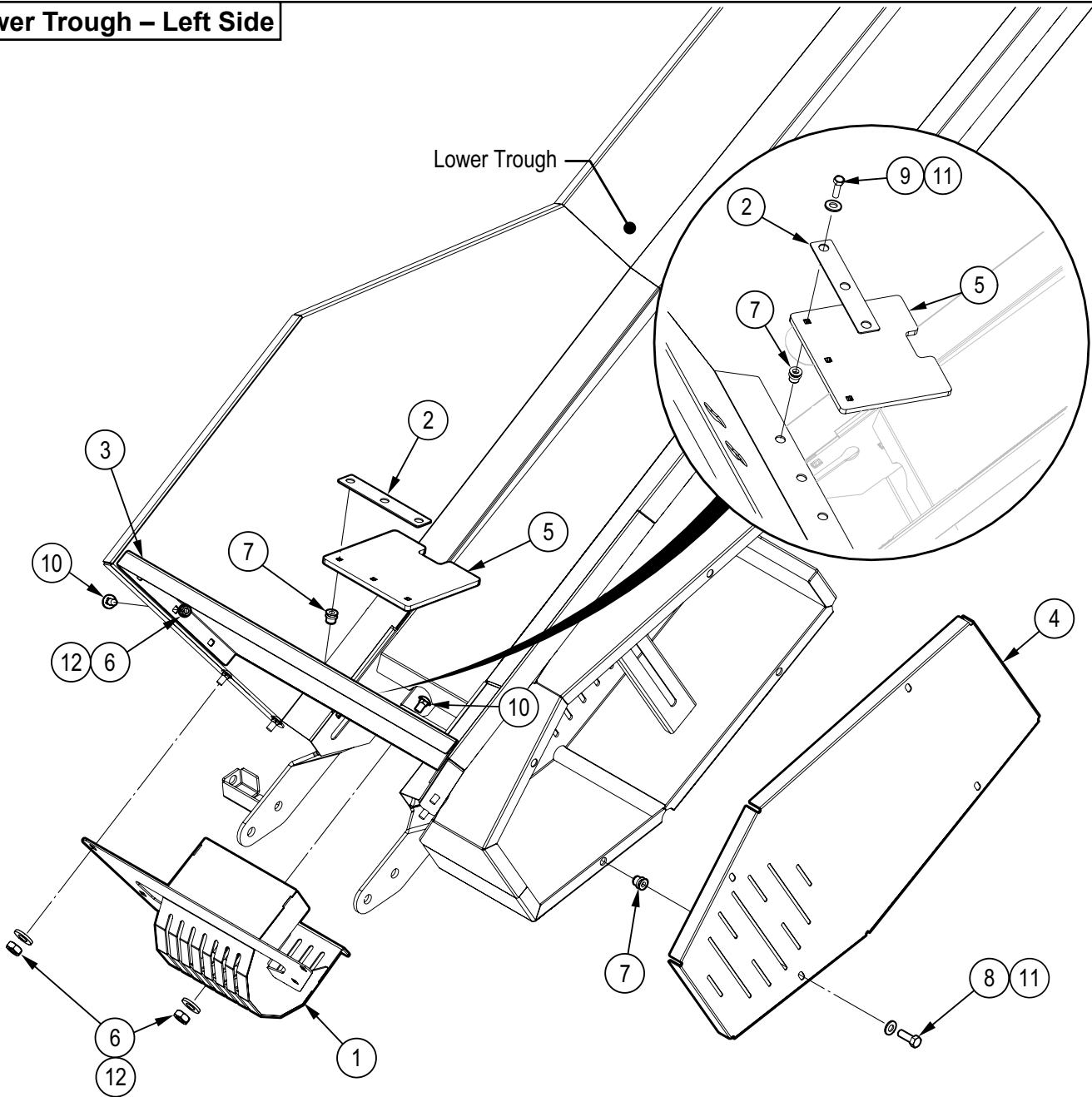
Lower Trough – Right Side



Item No.	Part No.	Description	Qty
1	1026M102	L Handed Plunger, Compact	1
2	2280L184	Indicator, Angle	1
3	2280W226	Hitch	1
4	2280W242	Trailer Lower Trough	1
5	2280W250	Joiner, Pulley Base	2
6	2280W251	Frame, Snatchblock	1
7	5011M815	Snatch Block, Pulley Pin	1
8	5011M816	Cable Pulley	1
9	Z14151	Roll Pin, 3/16" x 1-1/2"	1
10	Z21201	Ball Bearing, 6305-2RS	1
11	Z32305	Comp Spring, 0.845" OD x 3-1/2" x 0.085"	1
12	Z46101	Internal Retaining Ring, 2-7/16"	1
13	Z71212	Hex Bolt 5/16NC x 1 1/4"	1
14	Z71617	Hex Bolt, 5/8NC x 1-3/4"	2
15	Z71661	Hex Bolt, 5/8NC x 8-1/2"	1
16	Z72211	Hex Lock Nut, 1/4NC	2
17	Z72221	Hex Lock Nut, 5/16NC	2

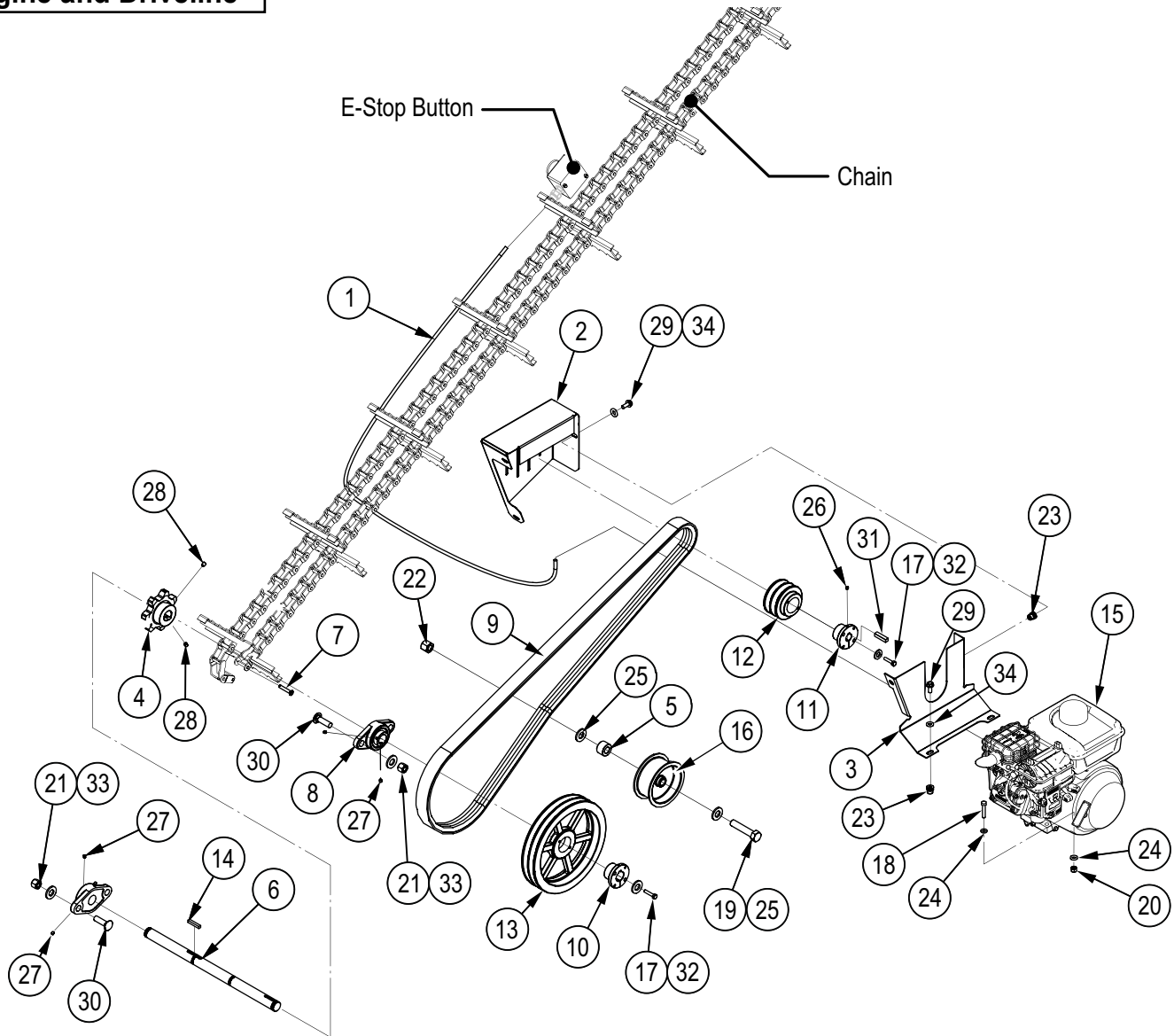
Item No.	Part No.	Description	Qty
18	Z72261	Hex Lock Nut, 5/8NC	3
19	Z72281	Hex Lock Nut, 7/8NC	1
20	Z72251	Hex Lock Nut, 1/2NC	4
21	Z73131G8	SAE Washer, 1/2" Grade 8	16
22	Z76231	Carriage Bolt, 3/8NC x 1"	24
23	Z78301	Machine Screw, 1/4NC x 3/4"	2
24	Z96503	Manual Tube, 3-1/2" Short	1
25	Z78310	Machine Screw, #8NC x 3/4"	2
26	Z66114	E-Stop Button, N/O Contact	1
27	Z62820	Straight Fitting, 3/8" Wire	1
28	Z72202	Hex Lock Nut, #8NC	2
29	Z73161G8	SAE Washer, 5/8" Grade 8	2
30	Z73122G8	SAE Washer, 5/16" Grade 8	2
31	Z73111G8	SAE Washer, 1/4" Grade 8	2
32	Z73102	SAE Washer, #8	2

Lower Trough – Left Side



Item No.	Part No.	Description	Qty	Item No.	Part No.	Description	Qty
1	2280W117	Bottom Sprocket Enclosure	1	6	Z72231	Hex Lock Nut, 3/8NC	12
2	2280L158	Rubber Mount, Bottom Enclosure	1	7	Z72956	Rivet Nut, 5/16NC x 150	7
3	2280L221	Backer Plate	1	8	Z71210	Hex Bolt, 5/16NC x 1"	4
4	2280L258	Shield, Belt	1	9	Z71212	Hex Bolt, 5/16NC x 1-1/4"	3
5	2280S103	Trough Flap, Rubber	1	10	Z76231	Carriage Bolt, 3/8NC x 1"	12
				11	Z73122G8	SAE Washer, 5/16" Grade 8	7
				12	Z73131G8	SAE Washer, 3/8" Grade 8	12

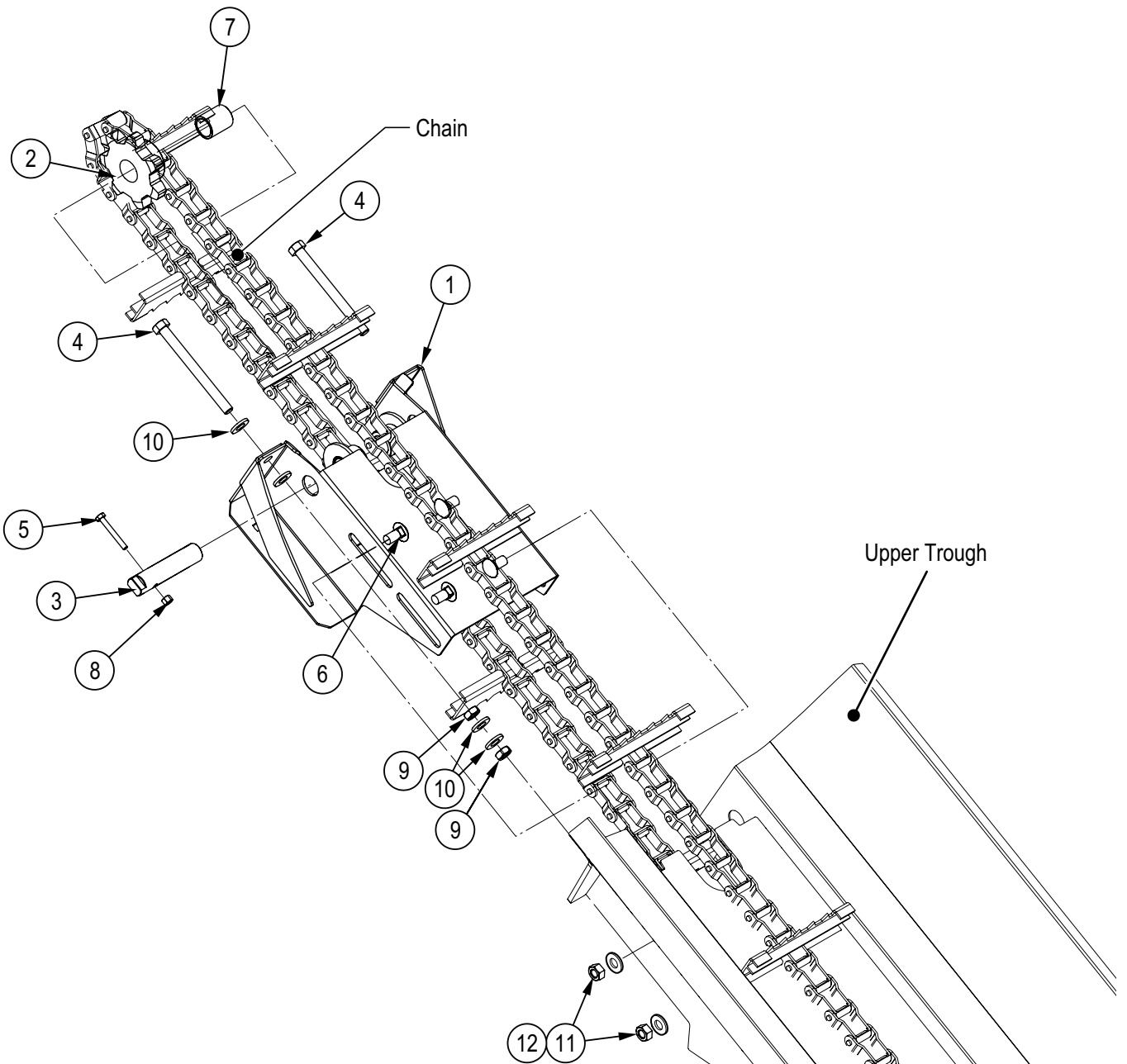
Engine and Driveline



Item No.	Part No.	Description	Qty
1	2280F258	Harness, Kill Switch	1
2	2280L259	Shield, Engine Pulley	1
3	2280L269	Subplate, Belt Shield	1
4	2280M110	Sprocket, 7 Tooth x 1" Bore	1
5	2280M245	Spacer, Idler Bearing	1
6	2280M248	Shaft, Conveyor Drive	1
7	7011M302	Pin, 662 Chain Clevis	1
8	Z25101	2-Bolt Flange Bearing, UCFL205-16	2
9	Z41264	Belt, 2B x 85"	1
10	Z41510	Hub, L x 1"	1
11	Z41513	Hub, L x 3/4"	1
12	Z41714	Double Sheave, 2MBL33 x L	1
13	Z41712	Double Sheave, 2MBL97 x L	1
14	Z46532	Key, 1/4" x 1/4" x 1-1/2"	1
15	Z47751	Vanguard® 5 hp (169 cc) Engine	1
16	Z49104	Idler Assembly, 4" x 1-7/8" x 5/8"	1

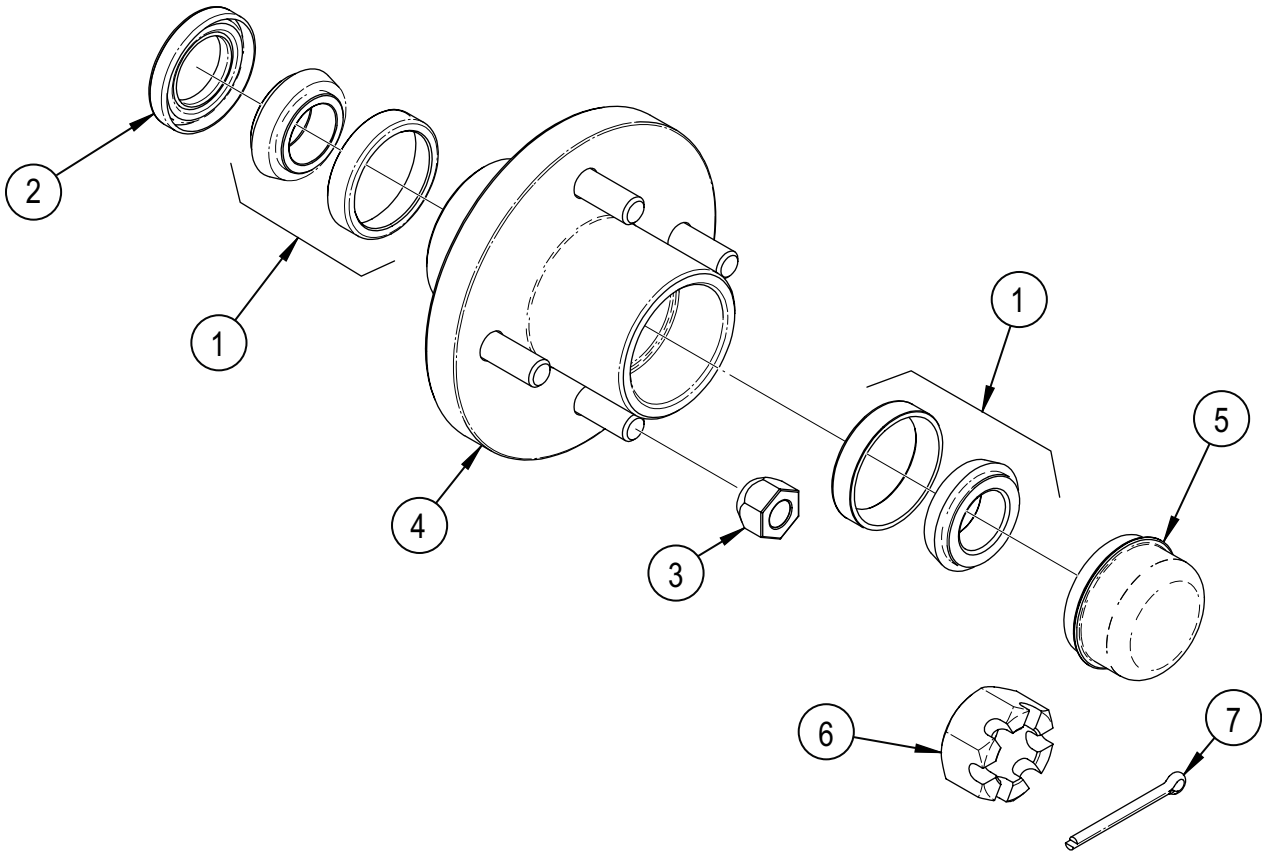
Item No.	Part No.	Description	Qty
17	Z71112	Hex Bolt, 1/4NC x 1-1/4"	4
18	Z71217	Hex Bolt, 5/16NC x 1-3/4"	4
19	Z71630	Hex Bolt, 5/8NC x 3"	1
20	Z72221	Hex Lock Nut, 5/16NC	4
21	Z72251	Hex Lock Nut, 1/2NC	4
22	Z72261	Hex Lock Nut, 5/8NC	1
23	Z72956	Rivet Nut, 5/16NC x 150	4
24	Z73122G8	SAE Washer, 5/16" Grade 8	8
25	Z73161	SAE Washer, 5/8"	1
26	Z74111	Set Screw, 1/4NC x 1/4"	1
27	Z74112	Set Screw, 1/4NF x 1/4"	4
28	Z74121	Set Screw, 5/16NC x 3/8"	2
29	Z71210	Hex Bolt, 5/16NC x 1"	5
30	Z76255	Carriage Bolt, 1/2NC x 2"	4
31	Z46523	Key, 3/16" x 3/16" x 1-1/2"	1
32	Z73111G8	SAE Washer, 1/4" Grade 8	4
33	Z73151G8	SAE Washer, 1/2" Grade 8	4
34	Z73122G8	SAE Washer, 5/16" Grade 8	4

Idler Sprocket Detail



Item No.	Part No.	Description	Qty
1	2280W245	Tensioner Sled	1
2	2280M111	Idler Sprocket, 7 Tooth x 1-1/4" Bore	1
3	2280M242	Shaft, Conveyor Pivot	1
4	Z71590	Hex Bolt, 1/2NC x 5-1/2" Full Threads	2
5	Z71120	Hex Bolt, 1/4NC x 2"	1
6	Z76259	Carriage Bolt, 1/2NC x 1 1/4"	4
7	Z27109	Composite Bearing, 1" ID x 1-1/2" long x 1/8" Wall	1
8	Z72211	Hex Lock Nut, 1/4NC	1
9	Z72351	Jam Nut, 1/2NC	5
10	Z73151	SAE Washer, 1/2"	2
11	Z72251	Hex Lock Nut, 1/2NC	4
12	Z73151G8	SAE Washer, 1/2" Grade 8	4

Hub Detail



Item No.	Part No.	Description	Qty
1	Z23201	L44643 Cone, L44610 Cup	2
2	Z28301	Double Lip Seal 1-1/4 Shaft	1
3	Z72931	Lug Nut 1/2NF	4
4	Z91201	1000# 4-Bolt Hub	1
5	Z91801	Dust Cap 1.98 Bore	1
6	Z72691	Slotted Hex Nut 1NF	1
7	Z12322	Cotter Pin 3/16 X 2	1


Common Bolt Torque Values

Checking Bolt Torque

The tables shown give correct torque values for various bolts and capscrews. Tighten all bolts to the torque values specified in the table, unless indicated otherwise. Check tightness of bolts periodically.

IMPORTANT! If replacing hardware, use fasteners of the same grade.

IMPORTANT! Torque figures indicated in the table are for non-greased or non-oiled threads. Do not grease or oil threads unless indicated otherwise. When using a thread locker, increase torque values by 5%.

 **NOTE:** Bolt grades are identified by their head markings.

Imperial Bolt Torque Specifications

Bolt Diameter	Torque Value					
	SAE Gr. 2		SAE Gr. 5		SAE Gr. 8	
	lbf·ft	N·m	lbf·ft	N·m	lbf·ft	N·m
1/4"	6	8	9	12	12	17
5/16"	10	13	19	25	27	36
3/8"	20	27	33	45	45	63
7/16"	30	41	53	72	75	100
1/2"	45	61	80	110	115	155
9/16"	60	95	115	155	165	220
5/8"	95	128	160	215	220	305
3/4"	165	225	290	390	400	540
7/8"	170	230	420	570	650	880
1"	225	345	630	850	970	1320



SAE Gr. 2



SAE Gr. 5



SAE Gr. 8

Metric Bolt Torque Specifications

Bolt Diameter	Torque Value			
	Gr. 8.8		Gr. 10.9	
	lbf·ft	N·m	lbf·ft	N·m
M3	0.4	0.5	1.3	1.8
M4	2.2	3	3.3	4.5
M6	7	10	11	15
M8	18	25	26	35
M10	37	50	52	70
M12	66	90	92	125
M14	83	112	116	158
M16	166	225	229	310
M20	321	435	450	610
M30	1,103	1 495	1,550	2 100



8.8



10.9

Wheel Lug Torque

It is extremely important safety procedure to apply and maintain proper wheel mounting torque on your trailer axle. Torque wrenches are the best method to assure the proper amount of torque is being applied to a fastener.

Wheel lugs should be torqued before first road use and after each wheel removal. Check and re torque after the first 10 miles (16 km), 25 miles (40 km), and again at 50 miles (80 km). Check periodically thereafter.

NOTE: *Wheel lugs must be applied and maintained at the proper torque levels to prevent loose wheels, broken studs, and possible dangerous separation of wheels from your axle.*

- Start all lugs by hand to prevent cross threading.
- Tighten lugs in sequence, per wheel lug torque sequence chart.
- The tightening of the fasteners should be done in stages. Following the recommended sequence, tighten fasteners per wheel torque requirements chart.

Wheel Lug Nut Torque				
Wheel Size	Units	1st Stage	2nd Stage	3rd Stage
8"	lbf•ft N•m	12–20 16–26	30–35 39–45.5	45–55 58.5–71.5
12"	lbf•ft N•m	20–25 26–32.5	35–40 45.5–52	50–60 65–78
13"	lbf•ft N•m	20–25 26–32.5	35–40 45.5–52	50–60 65–78
14"	lbf•ft N•m	20–25 26–32.5	50–60 65–78	90–120 117–156
15"	lbf•ft N•m	20–25 26–32.5	50–60 65–78	90–120 117–156
16"	lbf•ft N•m	20–25 26–32.5	50–60 65–78	90–120 117–156

Wheel Lug Torque Pattern

