



HD5000E Generator Parts Manual

S/N 8110077 & After



Foreword

EMB Mfg. has prepared this parts manual to assist customers in ordering quality OEM replacement parts.

Proper and regular service and replacing old, worn or broken parts with the correct Wallenstein parts are essential to prolonging the life of your Wallenstein product. Please refer to this manual before ordering any replacement parts.

All information contained in this parts manual is based on the latest product specification available at the time of printing this manual. If your product differs from the specifications contained within this manual contact EMB Mfg. for information.

EMB reserves the right to alter specifications on their products at any time.

Reproduction of this parts manual of any kind is prohibited without prior written permission from EMB Mfg.

Note: Log splitters with factory installed light kits will have a VIN number included. The last six numbers of this VIN number are the splitters serial number

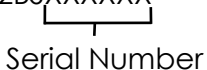
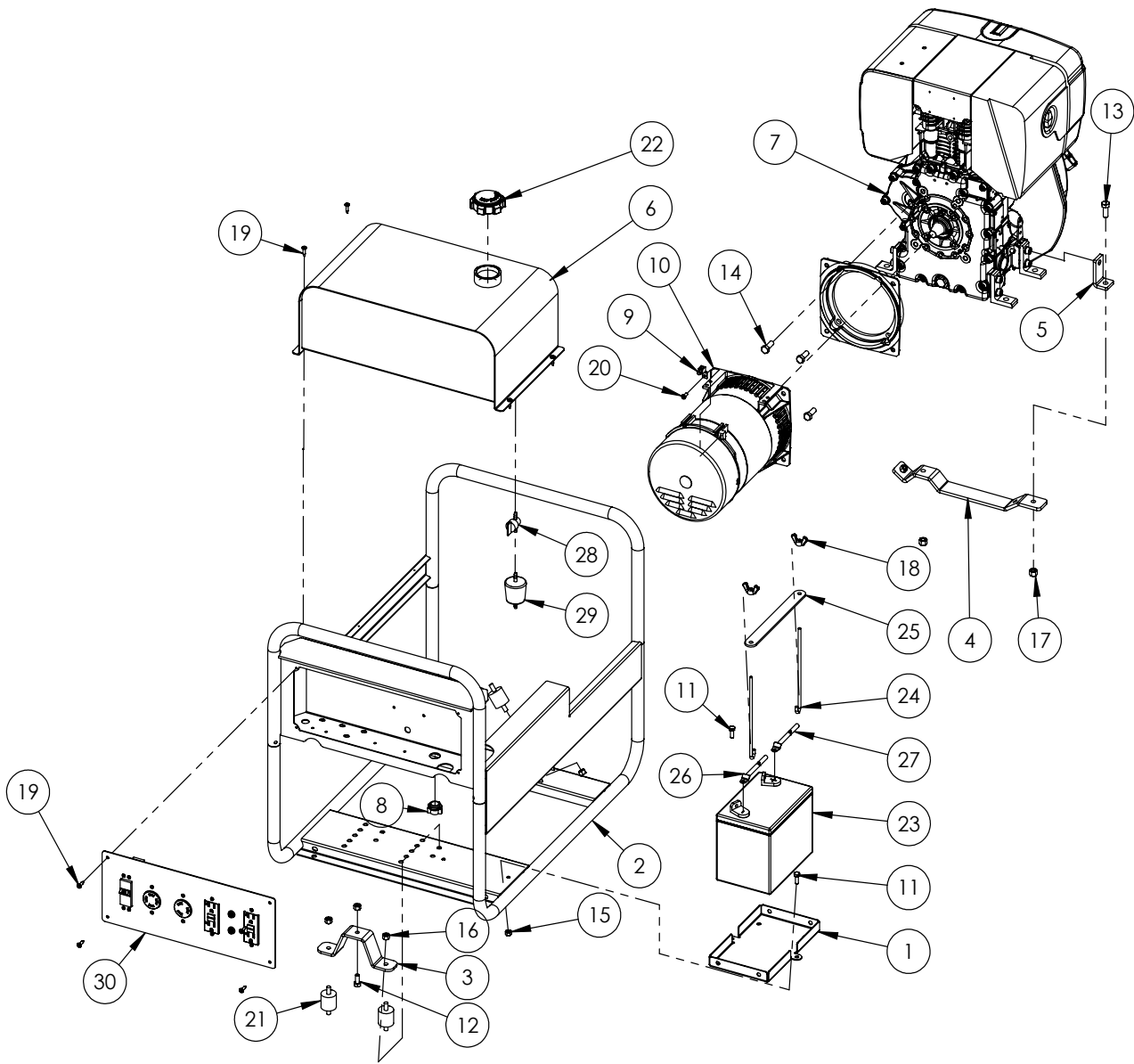
Example: 2E9US1112BSXXXXXX

Serial Number

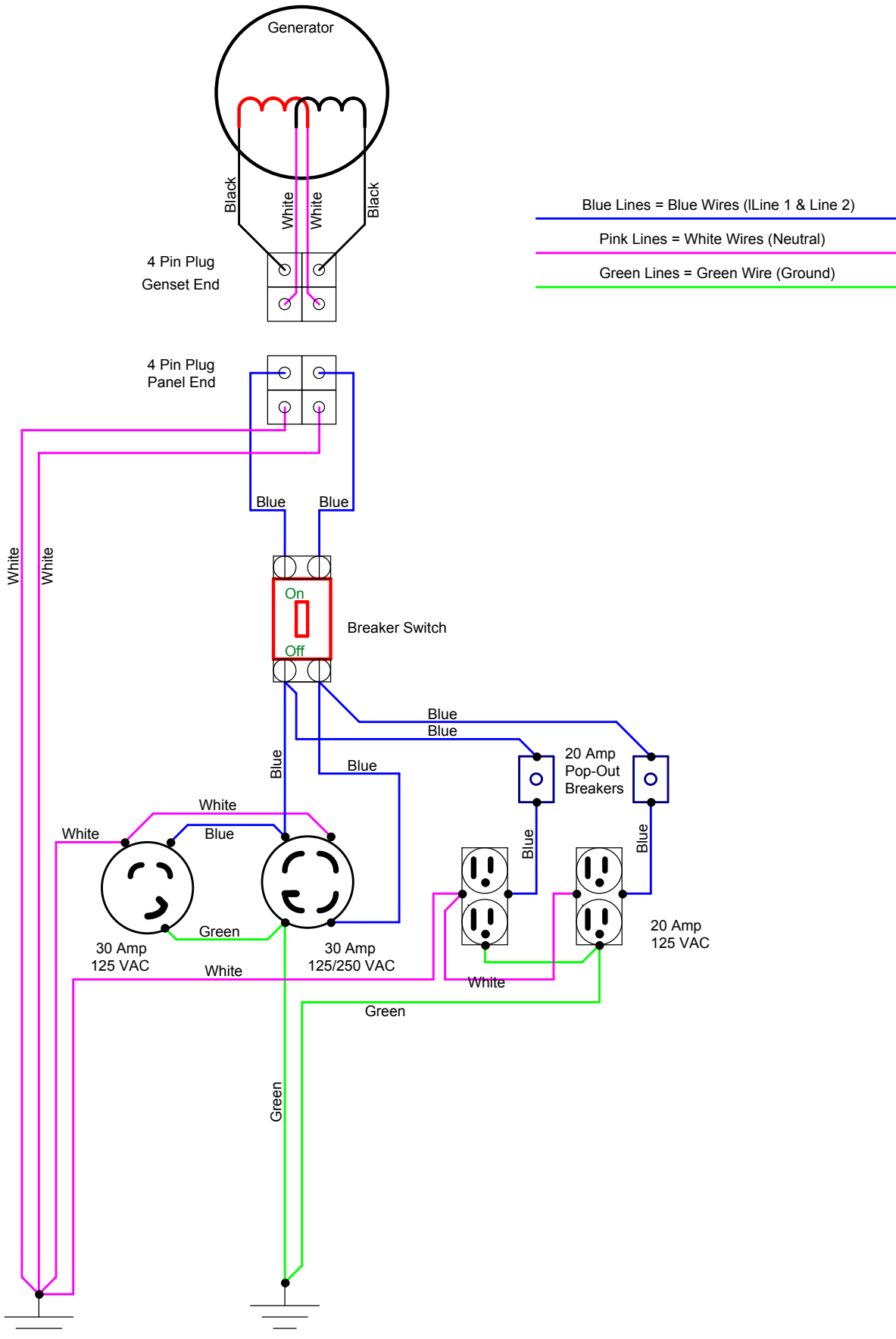
Table of Contents

Main Parts	4
Wiring Diagram	5
Alternator	7



HD SERIES DIESEL GENERATOR PARTS BREAKDOWN

ITEM	HD5000E	HD7300E	Description	QTY.
1	4015L504		Tray, Battery	1
2	4015W501		Main Frame, EU/GF Style	1
3	4041L101		Offset Plate, Hatz Diesel	1
4	4041L102		Hatz Mounting Bracket	1
5	4041L501		Bracket, Hatz Engine Mount	2
6	4041W101		Fuel Tank, HD Style	1
7	Z47602	Z47601	Hatz Diesel Engine 1B30/1B40	1
8	Z62261		Box Connector, 3/8	1
9	Z62711		Grounding Terminal, 6-14	1
10	Z65411	Z65406	Alternator, 4.9 kVA / 6.8 kVA	1
11	Z71107		Hex Bolt 1/4NC x 3/4	2
12	Z71207		Hex Bolt 5/16NC x 3/4	1
13	Z71310		Hex Bolt 3/8NC x 1	2
14	Z71374		Hex Bolt 3/8NF x 1	4
15	Z72111		Hex Lock Nut 1/4NC	2
16	Z7221		Hex Lock Nut 5/16NC	9
17	Z72231		Hex Lock Nut 3/8NC	2
18	Z72921		Wing Nut 1/4NF	2
19	Z76712		Self-tapping Screw #10	8
20	Z78303		Machine Screw #10NF x 1/2	1
21	Z79931		Rubber Mount	4
22	Z93106		Fuel Cap - Diesel	1
23	Z93201		250 CCA Battery	1
24	Z93202		J-Hook 1/4 x 7	2
25	Z93207		Hold-Down Strap, 1 x 8-1/2	1
26	Z93208		Battery Cable, Neg 20"	1
27	Z93211		Battery Cable, Pos 32"	1
28	Z93301		Fuel Shut-off, 1/4"	1
29	50478800		Hatz In-Line Fuel Filter	1
30	4041A102		Assembly, HD Style Panel	1

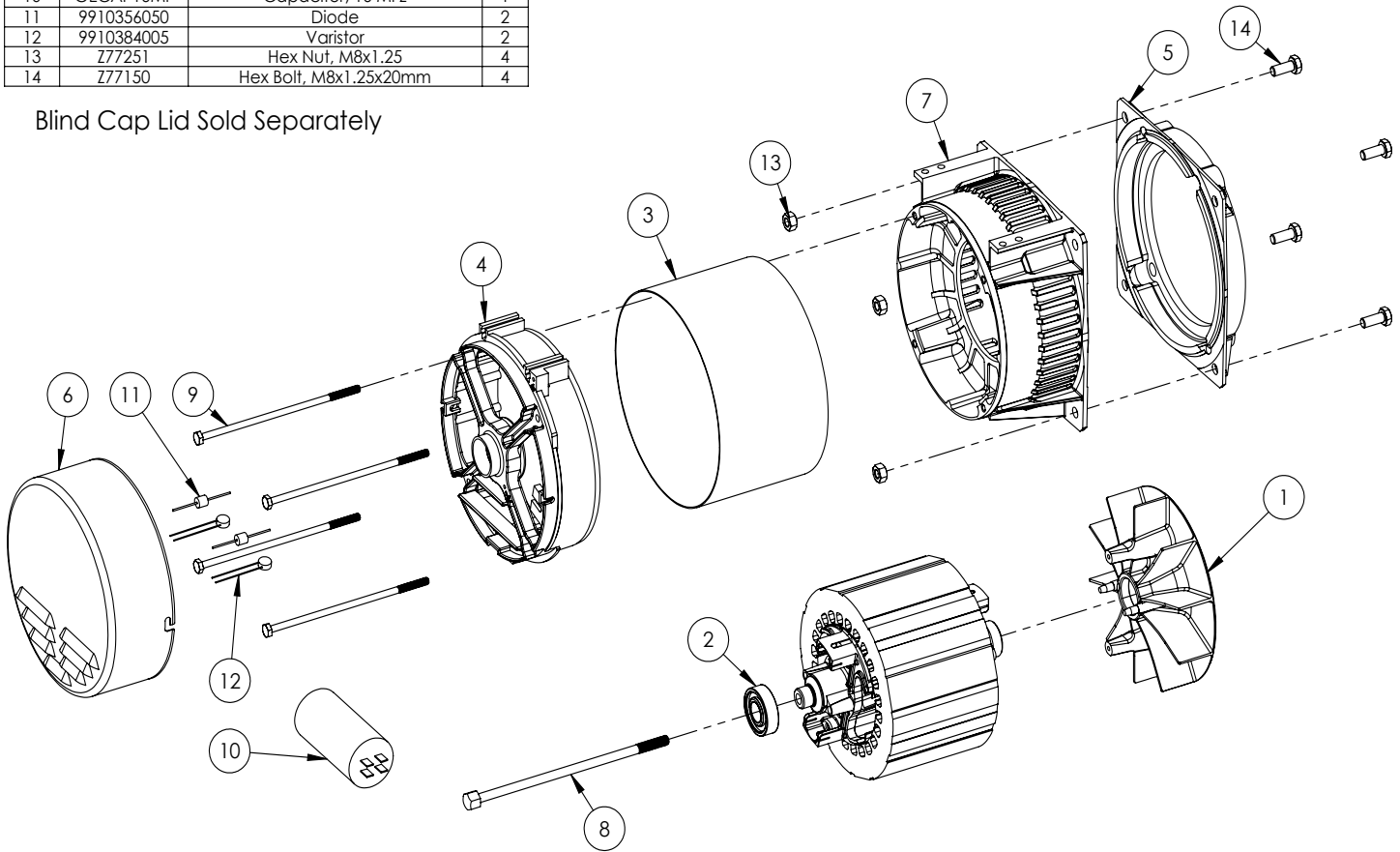


This Page is Intentionally Blank

4.9kVA ALTERNATOR PARTS

ITEM	PART NO.	DESCRIPTION	QTY
1	039200015	Fan	1
2	0390302521	Rear Bearing	1
3	0390601042	Enclosing Band	1
4	0390302209	Non Drive End Bracket	1
5	GES16WINTFLA NGEB	Interchange Flange	1
6	GES16COVER2	Blind Cap Lid	1
7	0391700136	Drive End Bracket	1
8	0391800322	Securing Stud	1
9	GES16WT05CB OLTS	Securing Bolt	4
10	GECAP16MF	Capacitor, 16 MFZ	1
11	9910356050	Diode	2
12	9910384005	Varistor	2
13	Z77251	Hex Nut, M8x1.25	4
14	Z77150	Hex Bolt, M8x1.25x20mm	4

Blind Cap Lid Sold Separately





WALLENSTEIN Products Manufactured by:

EMB MFG Inc.

4144 Boomer Line
St. Clements, Ontario
Canada N0B 2M0
Phone: 1-877-695-9283
Fax: 519-699-4146
www.embmfg.com