

# EMB Manufacturing Inc.

4144 Boomer Line · St. Clements, On · N0B 2M0 · Canada  
Ph: (519) 699-9283 · Fax: (519) 699-4146  
www.embmfg.com

## Accessory Assembly Instructions 4-Way Splitting Wedge

This Instruction applies to 4 Way Splitter Kits: **W4110, W4120, W4130, W4140**



This Safety Alert symbol means

### **ATTENTION! BECOME ALERT! YOUR SAFETY IS INVOLVED!**

The Safety Alert symbol identifies important safety messages in this instruction, as well as on the Woodsplitter and in the operators manual. When you see this symbol, be alert to the possibility of personal injury or death. Follow the instructions in the safety message.



When operating your splitter always grasp the log by the sides when placing in the splitter. This will minimize the chance of the operator getting their fingers or arm between the wedge and the log.



Always wear the appropriate safety gear when installing this kit or working around the machine. This includes but is not limited to:

- Hard hat for protection to the head.
- Face mask for protection to the face and eyes from flying chips.
- Heavy gloves for protection from slivers, chips and pinching.
- Safety shoes with slip resistant soles and steel toes for protection from dropped logs and pieces of wood.

## Four Way Splitting Wedge Installation:

Slip on style for stationary wedge splitters

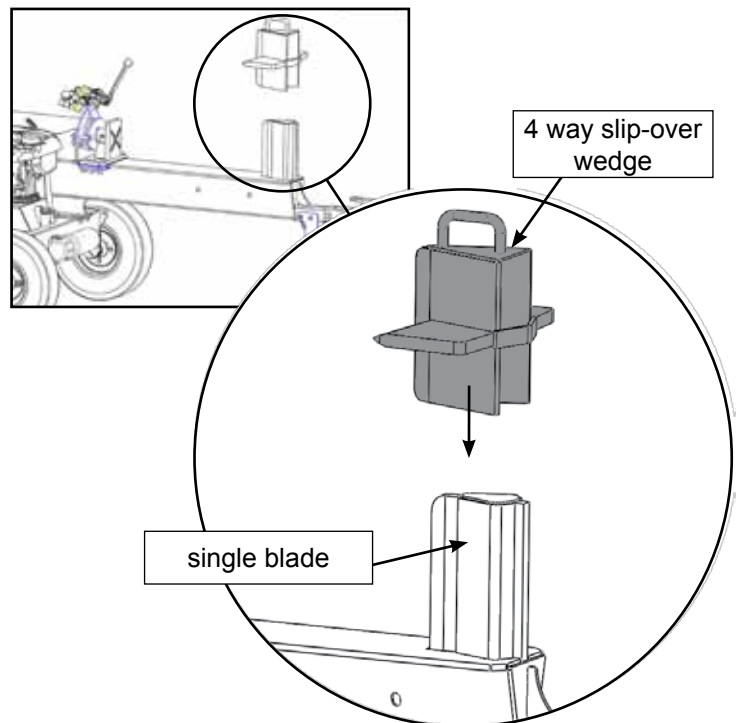
**Kit # W4110: fits wood splitter models: WE220, WX310, WX520, WX515, WX520T, SE50, 26L, 26LGC.**

**Kit # W4140: fits wood splitter models: WX615, WX620, WX620T, WX910, WX910T.**



**Caution:** wedges are constructed of heavy gauge steel, be sure to use the handle provided to move and install the wedge, use caution and avoid dropping or pinching body parts on corners and sharp edges with the wedge

- Ensure the single wedge and the area around the wedge is clean and free of debris.
- Carefully place the 4 way wedge over the single wedge.
- Your 4 way wedge is ready to use



over:

# Four Way Splitting Wedge Installation:

Keeper style for moving wedge splitters (After Jan 2013)

**Kit # W4120:** fits wood splitter models: WE230, WX350, WX370, WX440, WX470, WX530, WX540, SE60, 26HVGC, 26HV.

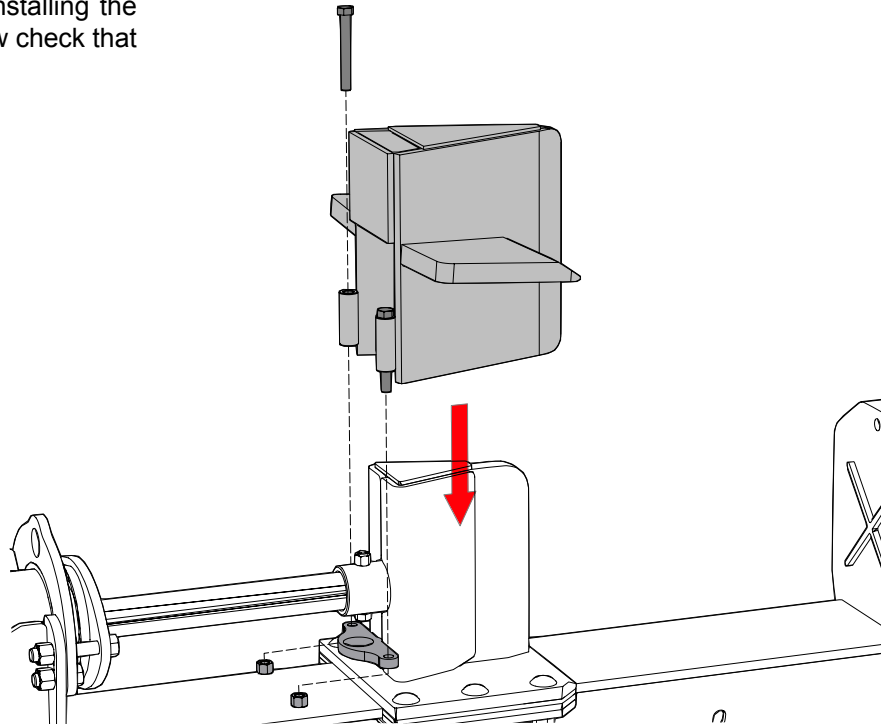
**Kit # W4130:** fits wood splitter models: WX320, WX330, WX360, WX370, WX450, WX460, WX630, WX640, WX920, WX930, WX950, WX960, WX970, WX980, 26HV, 27HV, SL600.

Illustration shows #W4130 kit, part appearance is different for #W4120 kit but installation is similar.

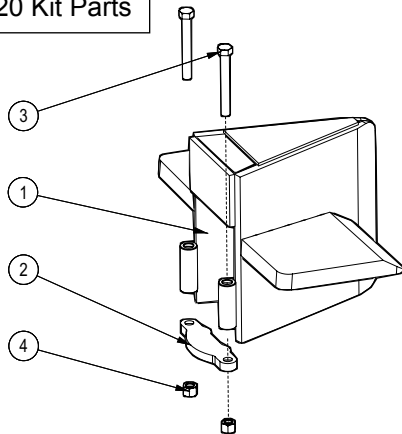
**Caution:** wedges are constructed of heavy gauge steel, be sure to handle with care and caution while moving and installing the wedge. Avoid dropping or pinching body parts on corners and sharp edges with the wedge.

Ensure the machine is off and stable before installing the wedge. Unpack the kit, using the parts list below check that all parts are included.

- Ensure the single wedge and the area around the wedge is clean and free of debris, extend the ram to make installation easier.
- Remove the keeper and locknuts from the 4 way wedge.
- Carefully place the 4 way wedge over the single wedge.
- Mount the safety keeper bracket around the cylinder ram.
- Hand tighten locknuts then tighten down with a wrench or socket.
- Your 4 way wedge is ready to use.

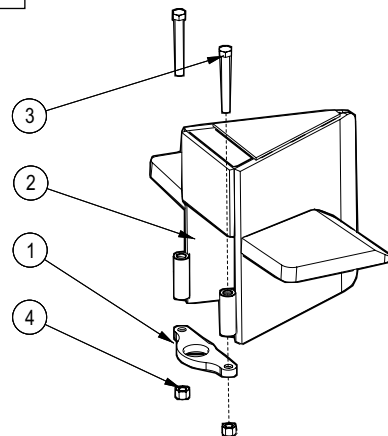


W4120 Kit Parts



BOM ID	Description	Description	Qty
1	2082W201	Weldment, Main W4120	1
2	2082L202	Keeper	1
3	Z71330	Hex Bolt, 3/8NC x 3	2
4	Z72231	Hex Lock Nut, 3/8NC	2

W4130 Kit Parts



BOM ID	Description	Description	Qty
1	2082L302	Keeper, W4130	1
2	2082W301	Weldment, W4130	1
3	Z71330	Hex Bolt, 3/8NC x 3	2
4	Z72231	Hex Lock Nut, 3/8NC	2

For replacement parts please call your dealer to order.

PRINTED IN CANADA  
Rev: 110313

PART NUMBER: Z97801