



BXH42 Skidsteer Mounted Chipper Parts Manual

Prior to S/N A0881030



Foreword

EMB Mfg. has prepared this parts manual to assist customers in ordering quality OEM replacement parts.

Proper and regular service and replacing old, worn or broken parts with the correct Wallenstein parts are essential to prolonging the life of your Wallenstein product. Please refer to this manual before ordering any replacement parts.

All information contained in this parts manual is based on the latest product specification available at the time of printing this manual. If your product differs from the specifications contained within this manual contact EMB Mfg. for information.

EMB reserves the right to alter specifications on their products at any time.

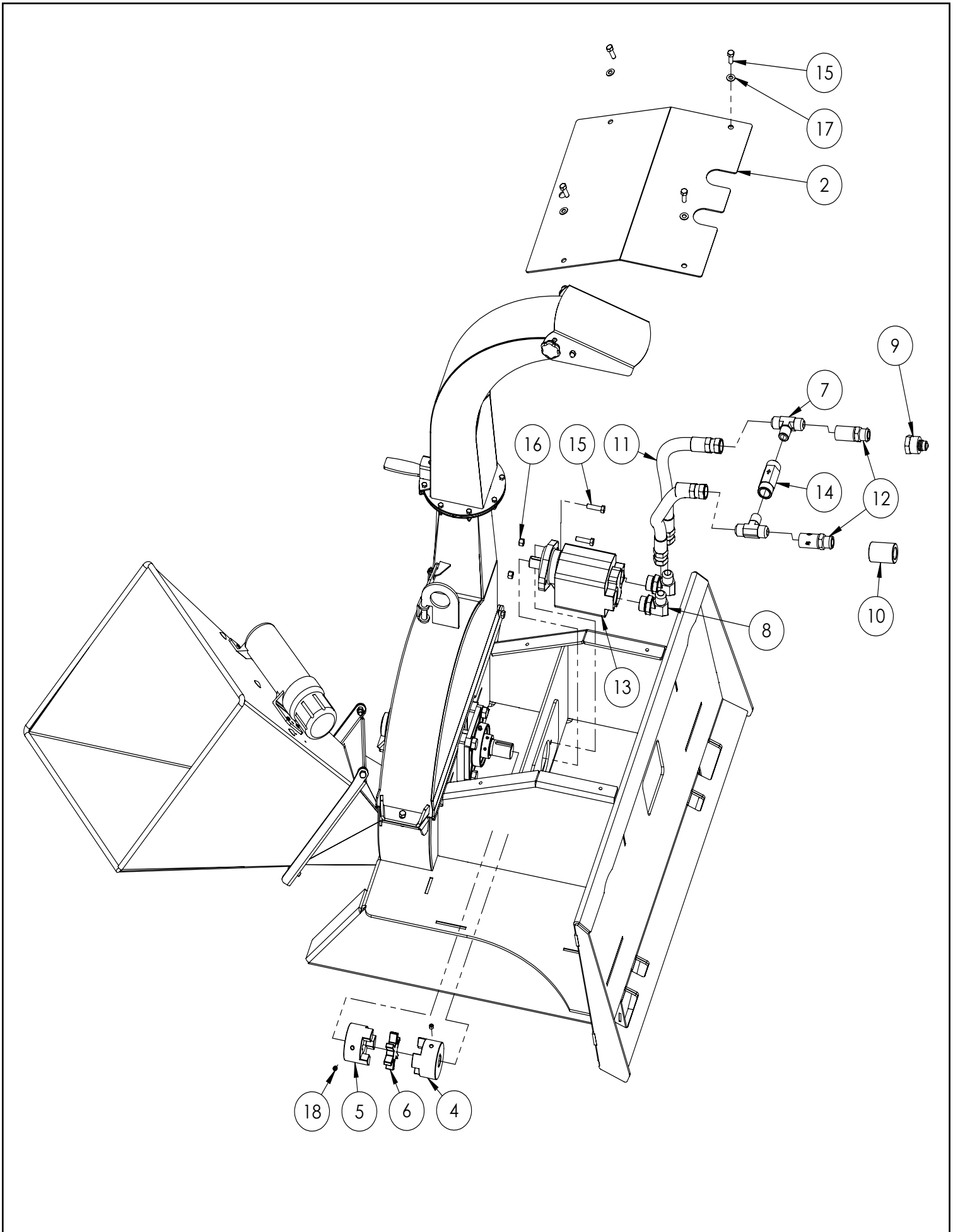
Reproduction of this parts manual of any kind is prohibited without prior written permission from EMB Mfg.

Table of Contents

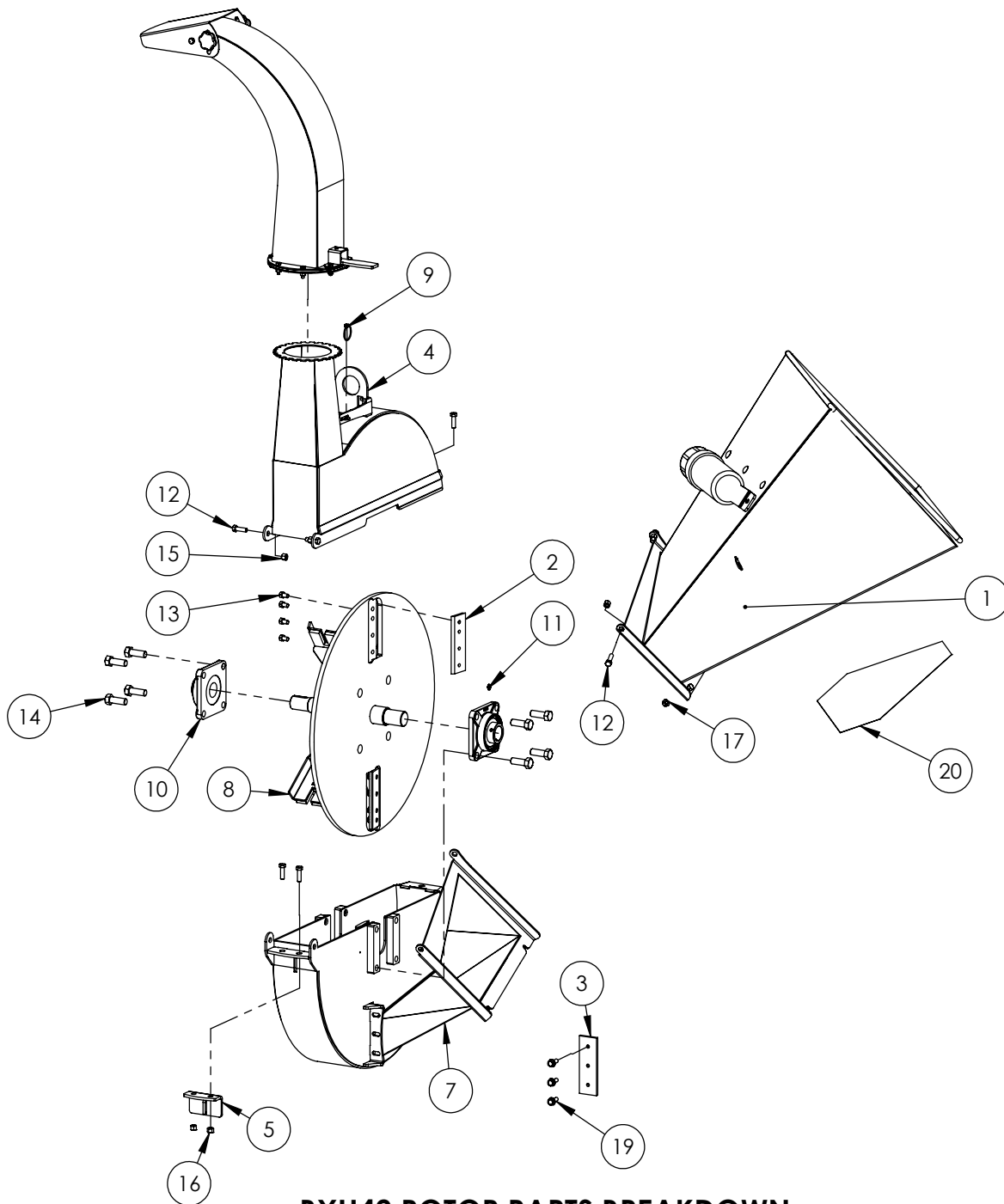
Main Parts	4
Rotor	7
Discharge Chute	8
Hopper	9
Decals	10

BXH42 PARTS BREAKDOWN

ITEM	BXH42	DESCRIPTION	QTY.
1	1031A100	BX42 Housing and Rotor Assembly	1
2	1031L110	Guard, Top	1
3	1031W101	Main Frame	1
4	Z46401	"G" Hub x 1	1
5	Z46402	"G" Hub x 1-3/8	1
6	Z46403	"G" Spider	1
7	Z51481	Tee, MJIC x MJIC x MP 121212	2
8	Z51652	Elbow 90, MORB x MJIC 1612	2
9	Z51906	3/4MP x Male Flat-Face Coupler	1
10	Z51907	3/4NPT x Fem Flat-Face Coupler	1
11	Z52401	3/4 Hose, 3/4FJIC x 3/4NPT x 24"	2
12	Z52402	3/4 Hose #12FJICX x 3/4MP x 42"	2
13	Z54101	Central Hydraulic Motor	1
14	Z56101	Check Valve 3/4FNPT 5 PSI	1
15	Z71315	Hex Bolt 3/8NC x 1-1/2	6
16	Z72231	Hex Lock Nut 3/8NC	2
17	Z73130	Flat Washer 3/8	4
18	Z74130	Set Screw 3/8NC	2

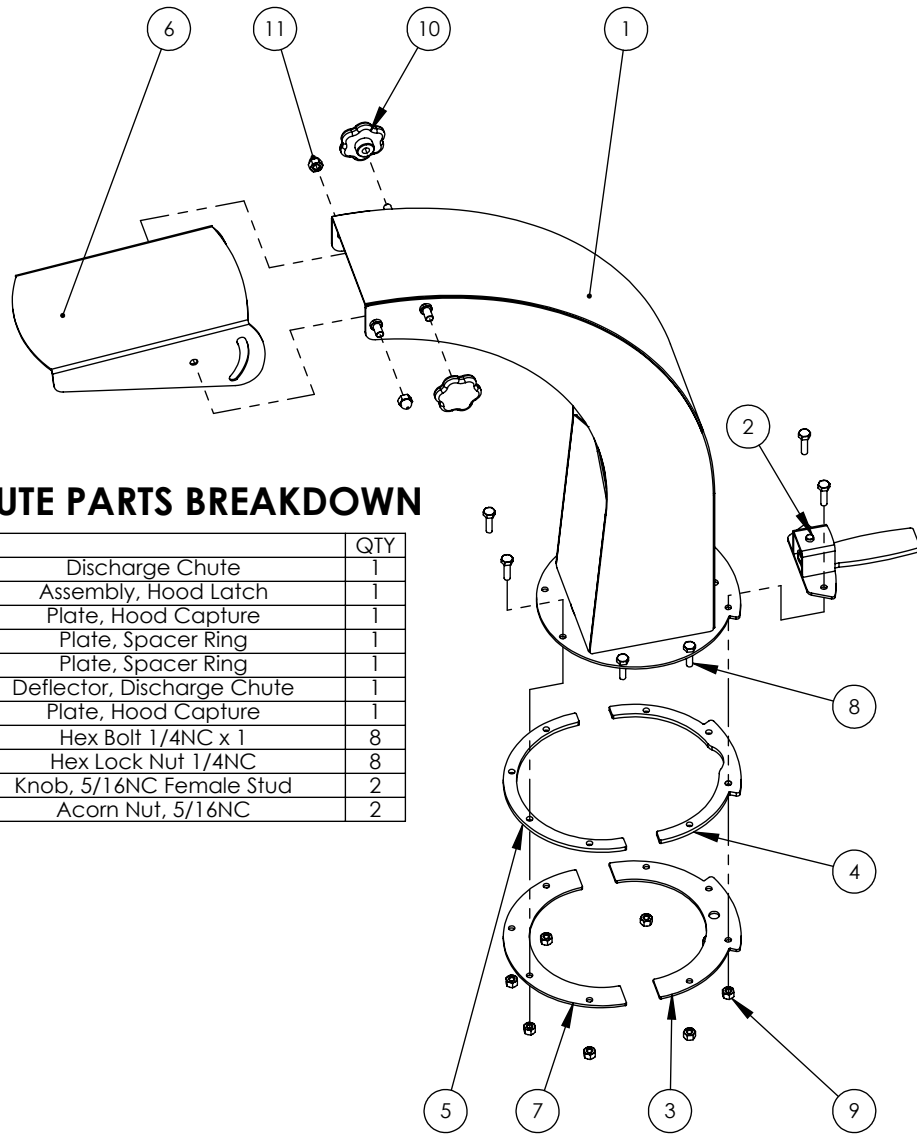


This Page is Intentionally Blank



BXH42 ROTOR PARTS BREAKDOWN

ITEM	PART NO.	DESCRIPTION	QTY
1	1011A102	Self-Feed Hopper	1
2	1011M103	Knife, 4" Rotor	2
3	1011M104	Knife, 4" Ledger	1
4	1011W102	Housing, Upper Rotor	1
5	1011W104	Twig Breaker	1
7	1031W102	Housing, Bottom Rotor	1
8	1031W393	BXH42 Rotor, 2-Knife	1
9	Z12110	Latch Pin 3/16	1
10	Z25204	4-Bolt Bearing 1-1/2" Bore	2
11	Z29202	Grease Zerk 1/4NF	2
12	Z71312	Hex Bolt 3/8NC x 1-1/4	7
13	Z71372G8	Hex Bolt, 3/8NF x 5/8 Gr8	8
14	Z71672G8	Hex Bolt, 5/8NF x 1-3/4 Gr8	8
15	Z72231	Hex Lock Nut 3/8NC	5
16	Z72231	Hex Lock Nut 3/8NC	1
17	Z72531	Flange Nut 3/8NC	2
18	Z74122	Set Screw, 5/16NF	4
19	Z76132	Flange Head Bolt 3/8NF x 1 Gr8	3
20	Z94601	Decal, SMV	1

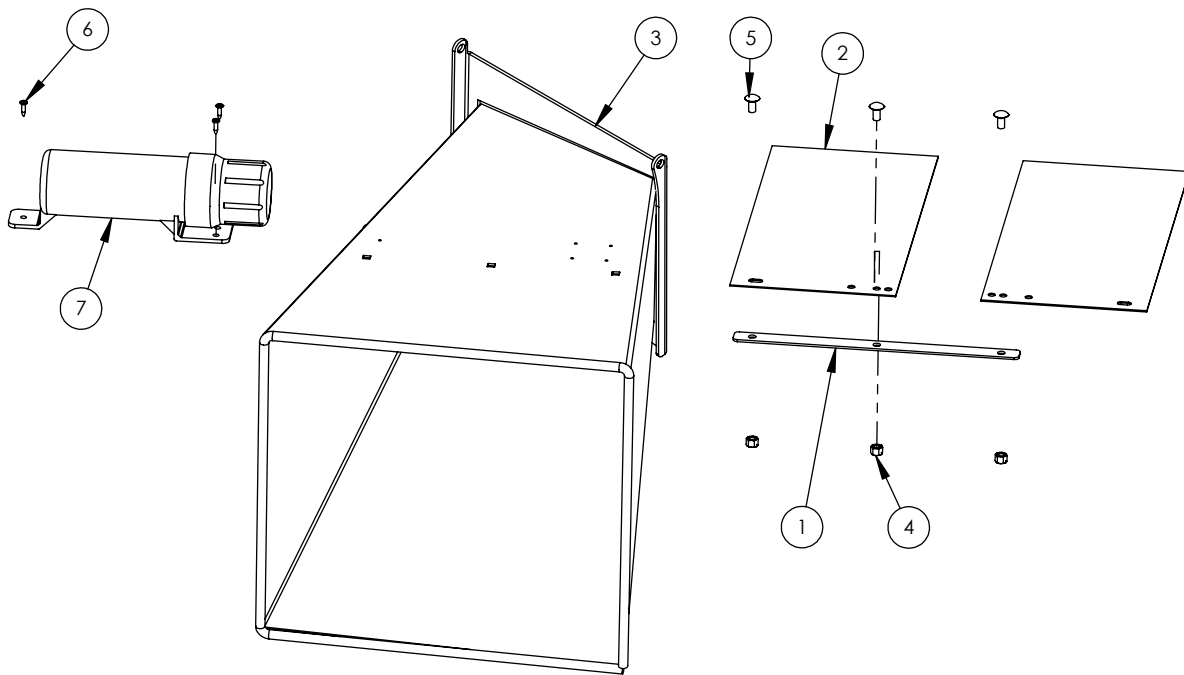


DISCHARGE CHUTE PARTS BREAKDOWN

ITEM	PART NO.		QTY
1	1016W006	Discharge Chute	1
2	1012W208	Assembly, Hood Latch	1
3	1016L030	Plate, Hood Capture	1
4	1016L029	Plate, Spacer Ring	1
5	1016L027	Plate, Spacer Ring	1
6	1016L033	Deflector, Discharge Chute	1
7	1016L034	Plate, Hood Capture	1
8	Z71110	Hex Bolt 1/4NC x 1	8
9	Z72111	Hex Lock Nut 1/4NC	8
10	Z19313	Knob, 5/16NC Female Stud	2
11	Z72914	Acorn Nut, 5/16NC	2

HOPPER PARTS BREAKDOWN

ITEM	PART NO.	DESCRIPTION	QTY
1	1011L151	Strap, Hopper Flap	1
2	1011S103	Flap, Hopper	2
3	1011W107	Weldment, Infeed Hopper	1
4	Z72231	Hex Lock Nut 3/8NC	3
5	Z76233	Carriage Bolt 3/8NC x 3/4	3
6	Z76712	Self-tapping Screw #10	3
7	Z96503	Manual Tube 3-1/2 Short	1



Decals BXH42

Z94056



Z94007



Z94006



Z94008



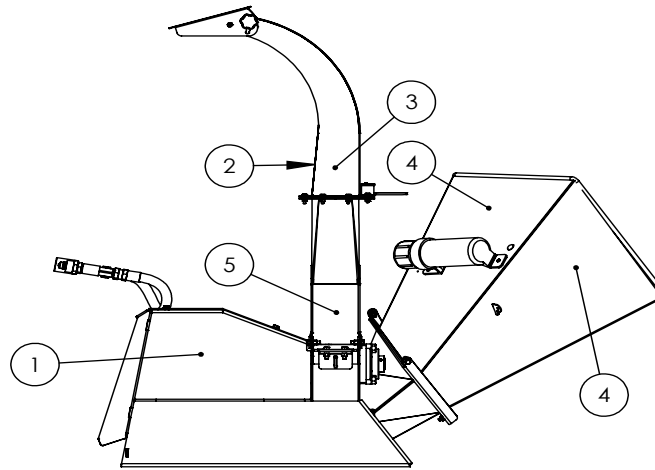
Z94019



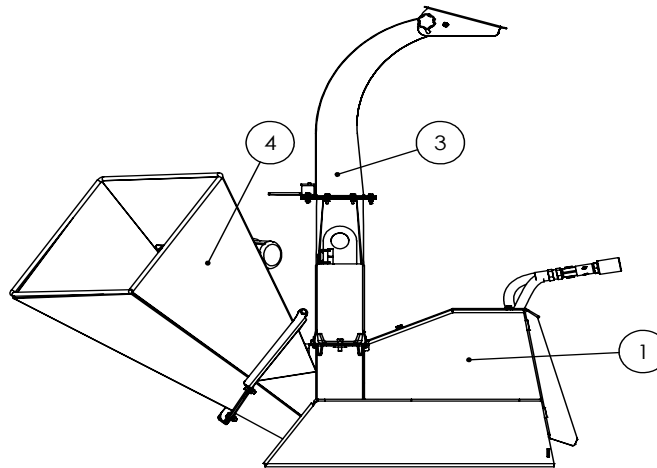
BXH42 DECAL BREAKDOWN

ITEM	PART NO.	DESCRIPTION	QTY
1	Z94056	WALLENSTEIN Decal	3
2	Z94019	1" Dia. Made In Canada	4
3	Z94008	DANGER - Thrown Object Hazard	2
4	Z94007	DANGER - Rotating Blades	3
5	Z94006	CAUTION - Read Manual	1

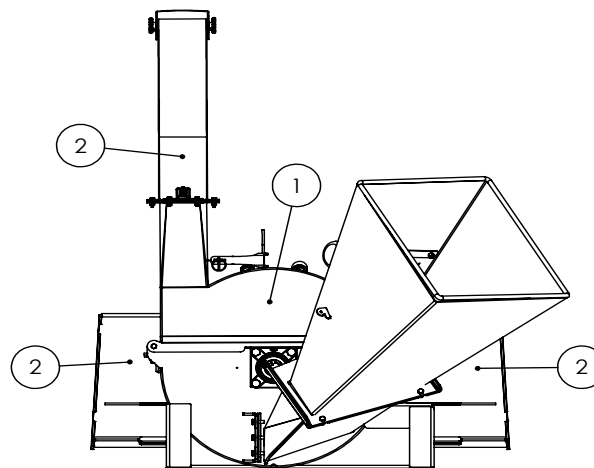
RIGHT



LEFT



FRONT





WALLENSTEIN Products Manufactured by:

EMB MFG Inc.

4144 Boomer Line
St. Clements, Ontario
Canada N0B 2M0
Phone: 1-877-695-9283
Fax: 519-699-4146
www.embmfg.com