

EMB Manufacturing Inc.

4144 Boomer Line · St. Clements, On · N0B 2M0 · Canada
Ph: (519) 699-9283 · Fax: (519) 699-4146
www.embmfg.com

Accessory Assembly Instructions P500 Firewood Mesh Bag Frame

This Instruction applies to kit: **P500**

Perfect addition to your wood processor! Steel cage captures the wood and the mesh bag holds it all together while you take it away, neatly packaged on a skid!



This Safety Alert symbol means

ATTENTION! BECOME ALERT! YOUR SAFETY IS INVOLVED!

The Safety Alert symbol identifies important safety messages in this instruction, as well as on the Woodsplitter and in the operators manual. When you see this symbol, be alert to the possibility of personal injury or death. Follow the instructions in the safety message.



Always wear the appropriate safety gear when installing this kit or working around the machine. This includes but is not limited to:

- Hard hat for protection to the head.
- Face mask for protection to the face and eyes from flying chips.
- Heavy gloves for protection from slivers, chips and pinching.
- Safety shoes with slip resistant soles and steel toes for protection from dropped logs and pieces of wood.

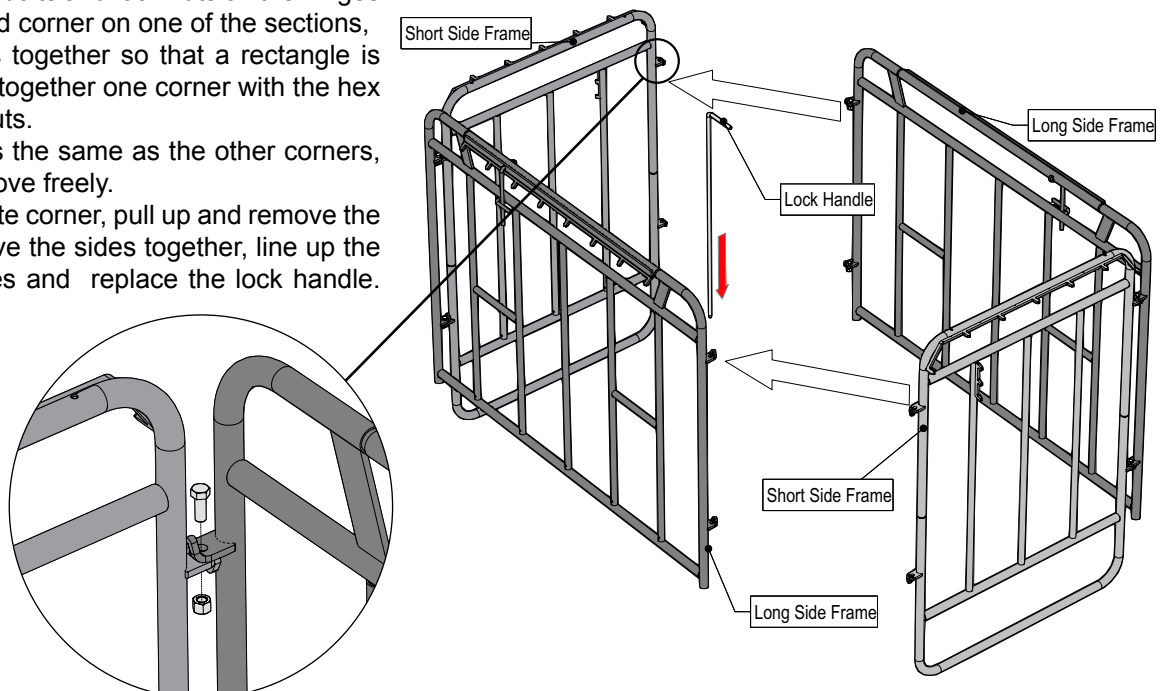
Frame Assembly:

For slip on style mesh bags



Caution: bag frame is constructed of heavy gauge steel, be sure to use caution and avoid dropping or pinching body parts on corners and edges.

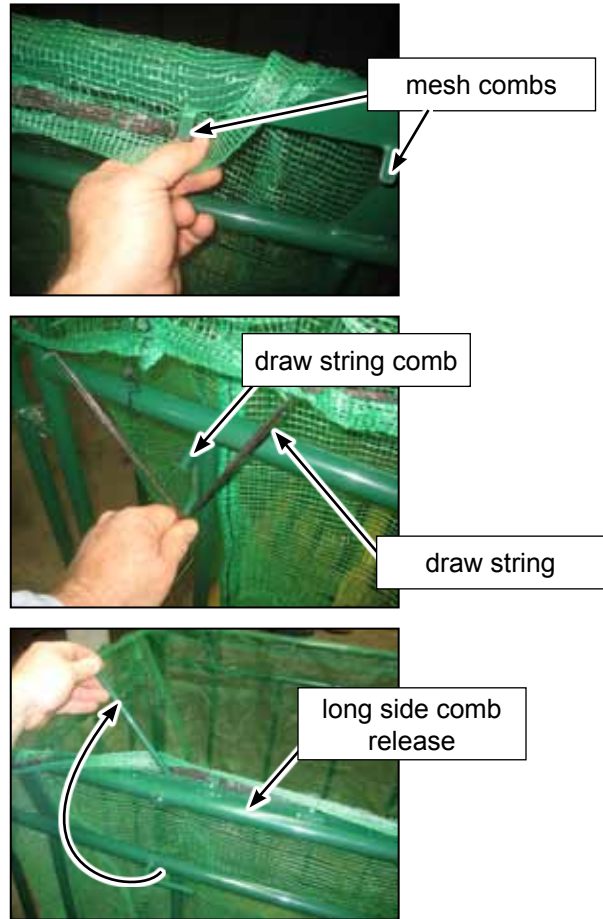
1. The firewood mesh bag frame ships partially assembled: there are two main sections, one section consists of 1 short side frame and 1 long side frame.
2. Unpackage and carefully lift one section and unfold, do the same for the second section.
3. Remove the hex bolts and lock nuts on the hinges of the unattached corner on one of the sections,
4. Set the sections together so that a rectangle is formed and bolt together one corner with the hex bolts and lock nuts.
5. Tighten the bolts the same as the other corners, so the hinges move freely.
6. Go to the opposite corner, pull up and remove the lock handle, move the sides together, line up the lock handle holes and replace the lock handle. Done!



over:

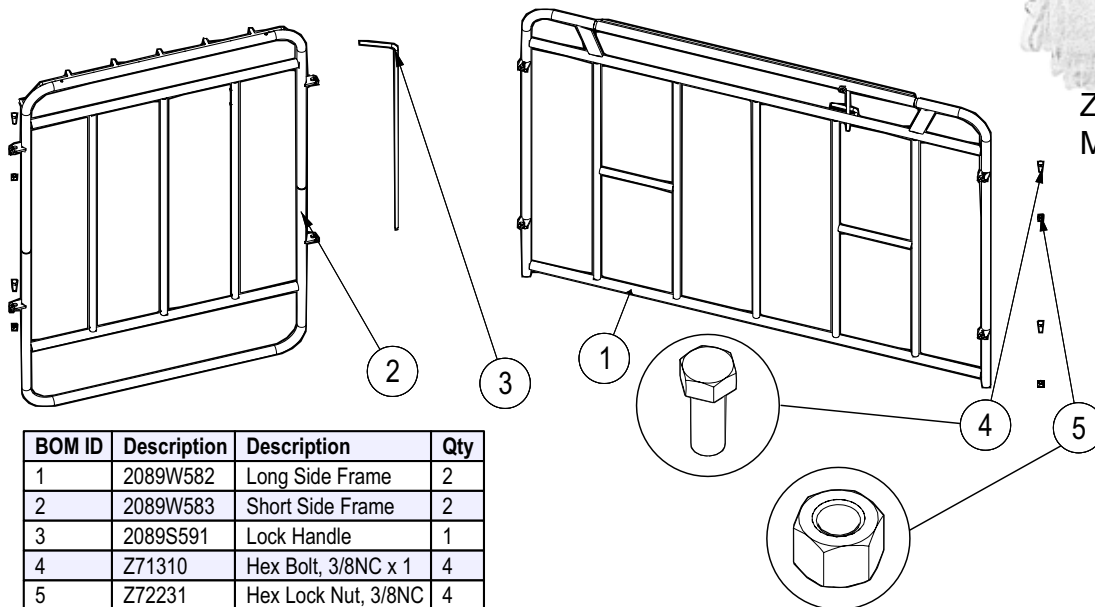
Mesh Firewood Bag Installation:

- Place a skid under the firewood frame. Maximum skid size: 14cm x 127cm x 97cm (8.5" x 50.0" x 38.0")
- Unfold the mesh bag and tie off the draw string on one end so that it leaves approximately a 60-80 cm (24"-30") opening.
- Fit the mesh bag into the opening of the frame, hook the bag on the mesh combs so that the draw string is below the combs.
- Ensure the bag is over the frame all the way around, and at one end hood the draw string on the draw string comb.
- Go to the opposite end, tighten up the draw string and hook it over the draw string comb.
- When the bag is full, release the mesh bag at the short ends first, carefully pull and lift off of the combs.
- Release the long sides by unlatching the combs and rotate the combs so the mesh releases.
- Tighten up the bag with the draw string and securely tie it off.
- Lift out the lock handle and swing the frames away from the full firewood bag, lift the bag/skid and move it to storage.
- Close the bag frame, replace the skid fit a new bag in place, ready for the next load.



Caution: Do not sort firewood while wood is dropping into the bag, injury will result from wood impacting hands or feet.

P500 Firewood Mesh Bag Frame Parts



BOM ID	Description	Description	Qty
1	2089W582	Long Side Frame	2
2	2089W583	Short Side Frame	2
3	2089S591	Lock Handle	1
4	Z71310	Hex Bolt, 3/8NC x 1	4
5	Z72231	Hex Lock Nut, 3/8NC	4