



HD7300E Generator Parts Manual

S/N 8210035 & After



Foreword

EMB Mfg. has prepared this parts manual to assist customers in ordering quality OEM replacement parts.

Proper and regular service and replacing old, worn or broken parts with the correct Wallenstein parts are essential to prolonging the life of your Wallenstein product. Please refer to this manual before ordering any replacement parts.

All information contained in this parts manual is based on the latest product specification available at the time of printing this manual. If your product differs from the specifications contained within this manual contact EMB Mfg. for information.

EMB reserves the right to alter specifications on their products at any time.

Reproduction of this parts manual of any kind is prohibited without prior written permission from EMB Mfg.

Note: Log splitters with factory installed light kits will have a VIN number included. The last six numbers of this VIN number are the splitters serial number

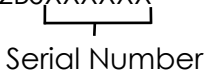
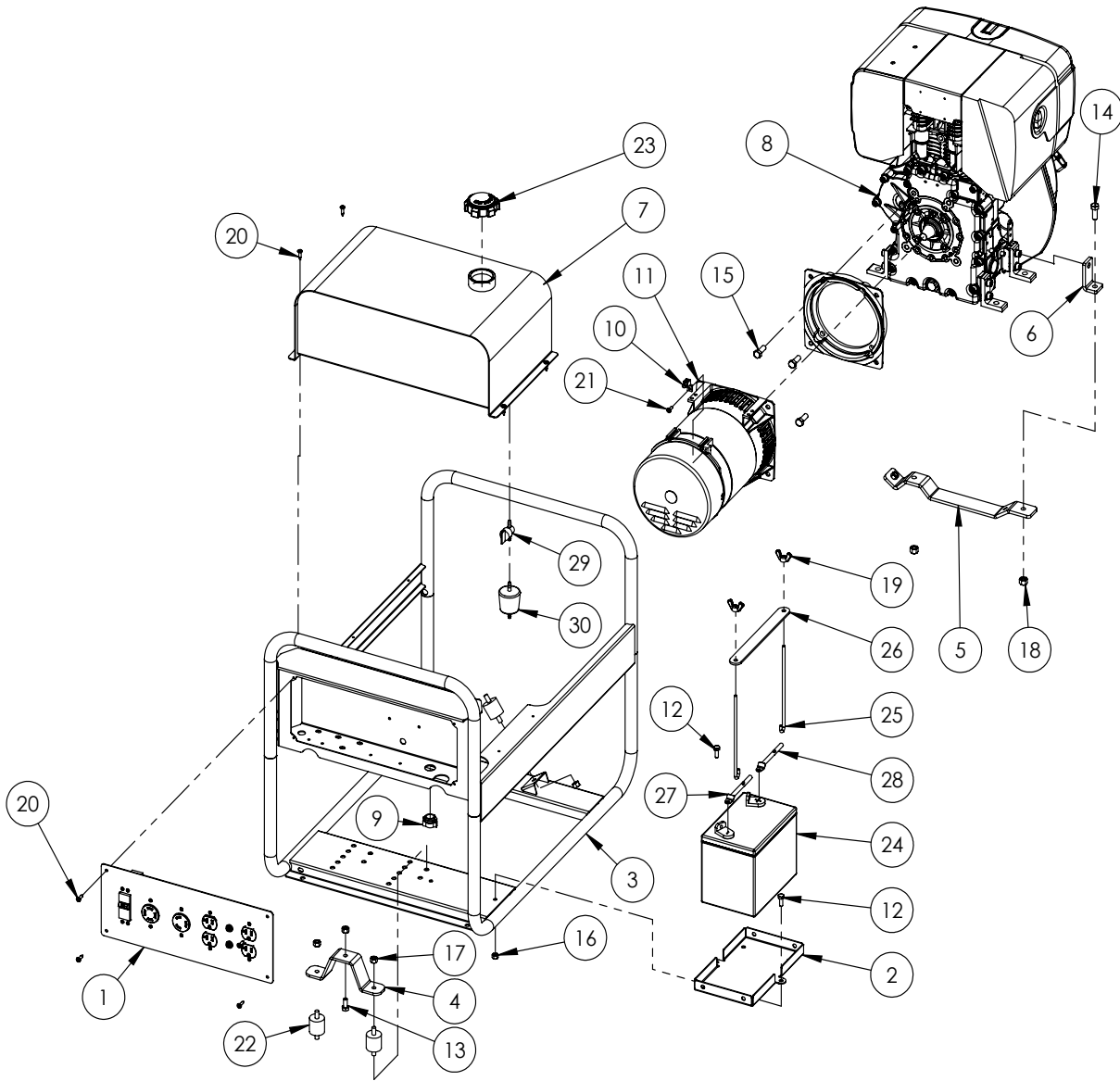
Example: 2E9US1112BSXXXXXX

Serial Number

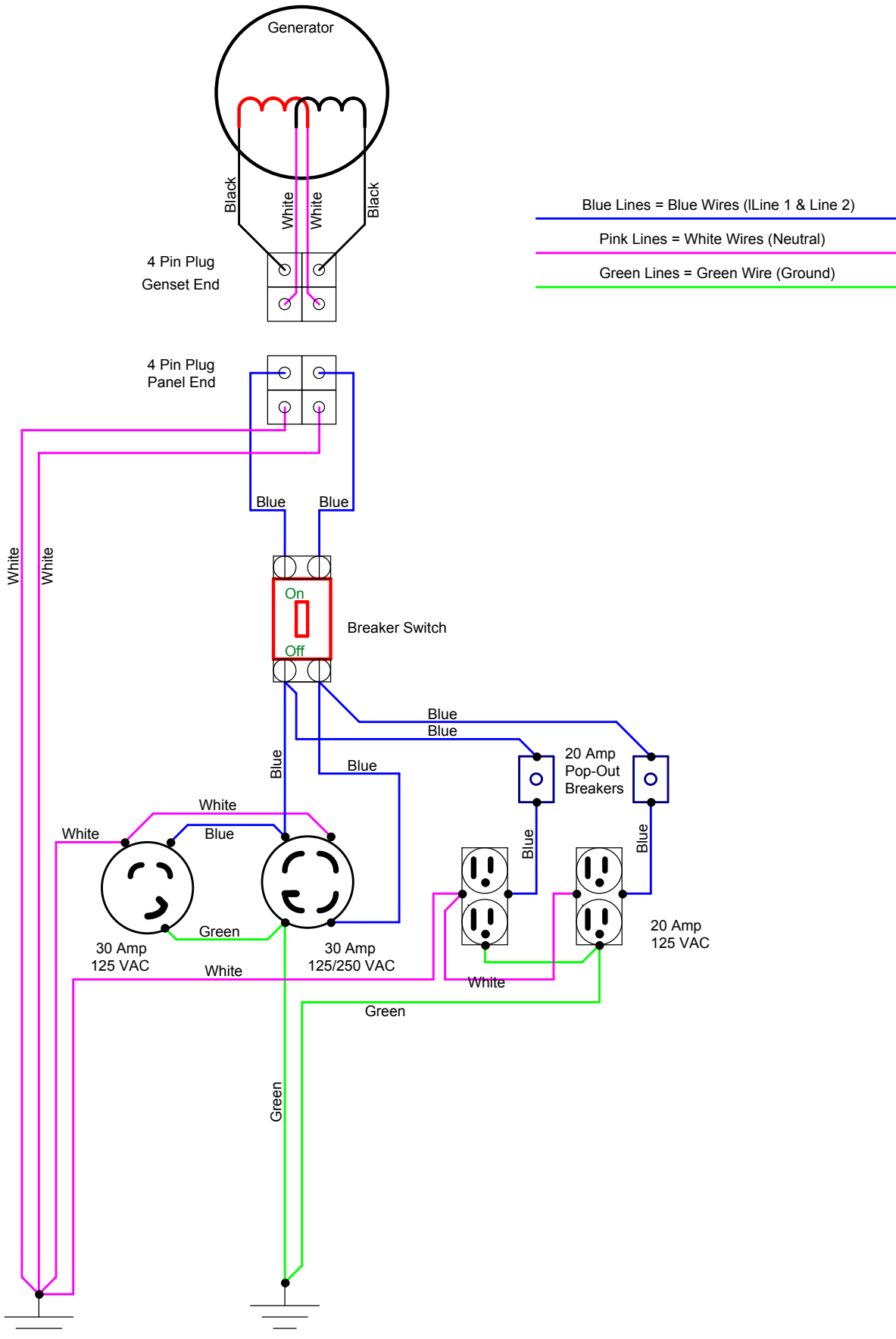
Table of Contents

Main Parts	4
Wiring Diagram	5
Alternator	7



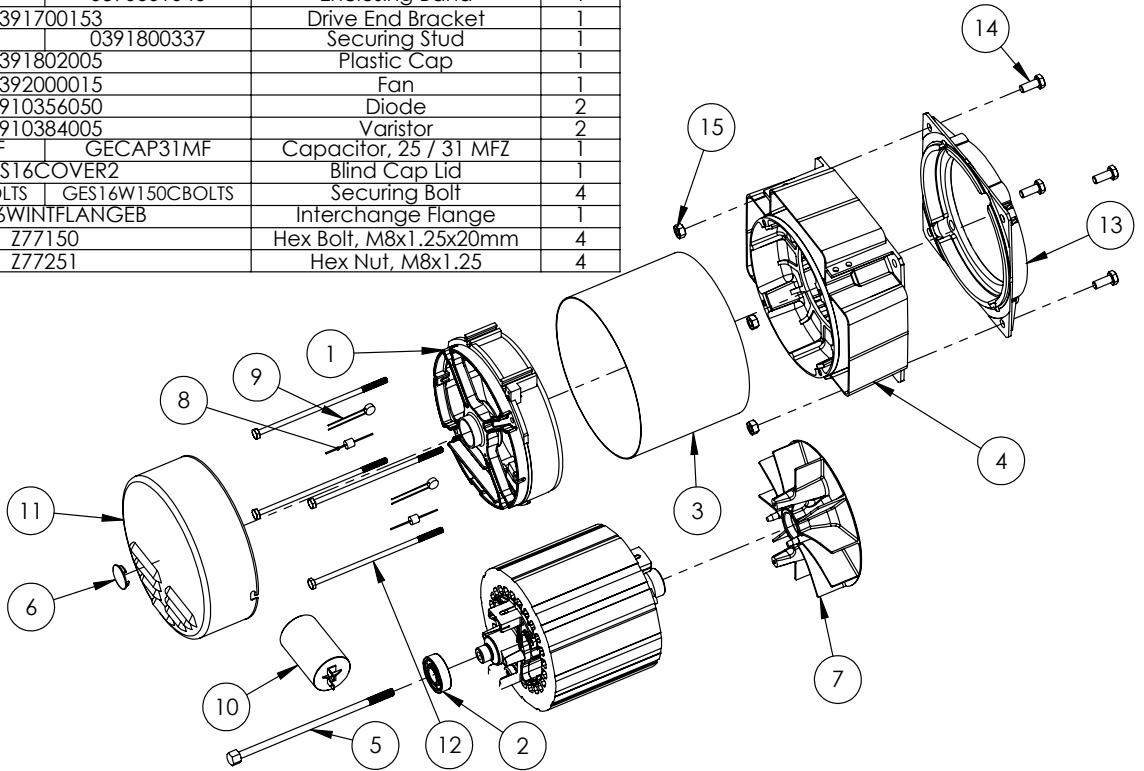
HD SERIES DIESEL GENERATOR PARTS BREAKDOWN

ITEM	HD5000E	HD7300E	Description	QTY.
1	4015A101		Assembly, EU Style Panel	1
2	4015L504		Tray, Battery	1
3	4015W501		Main Frame, EU/GF Style	1
4	4041L101		Offset Plate, Hatz Diesel	1
5	4041L102		Hatz Mounting Bracket	1
6	4041L501		Bracket, Hatz Engine Mount	2
7	4041W101		Fuel Tank, HD Style	1
8	Z47602	Z47601	Hatz Diesel Engine 1B30/1B40	1
9	Z62261		Box Connector, 3/8"	1
10	Z62711		Grounding Terminal, 6-14	1
11	Z65411	Z65406	Alternator, 4.9 kVA / 6.8 kVA	1
12	Z71107		Hex Bolt 1/4NC x 3/4"	2
13	Z71207		Hex Bolt 5/16NC x 3/4"	1
14	Z71310		Hex Bolt 3/8NC x 1"	2
15	Z71374		Hex Bolt 3/8NF x 1"	4
16	Z72111		Hex Lock Nut 1/4NC	2
17	Z72221		Hex Lock Nut 5/16NC	9
18	Z72231		Hex Lock Nut 3/8NC	2
19	Z72921		Wing Nut 1/4NF	2
20	Z76712		Self-tapping Screw #10	8
21	Z78303		Machine Screw #10NF x 1/2"	1
22	Z79931		Rubber Mount	4
23	Z93106		Fuel Cap - Diesel	1
24	Z93201		250 CCA Battery	1
25	Z93202		J-Hook 1/4 x 7"	2
26	Z93207		Hold-Down Strap, 1 x 8-1/2"	1
27	Z93208		Battery Cable, Neg 20"	1
28	Z93211		Battery Cable, Pos 32"	1
29	Z93301		Fuel Shut-off, 1/4"	1
30	50478800		Hatz In-Line Fuel Filter	1



Z65405 6 kVA / Z65406 6.8 kVA ALTERNATOR PARTS BREAKDOWN

ITEM	Z65405	Z65406	Description	QTY.
1	0390302209		Non Drive End Bracket	1
2	0390302521		Rear Bearing	1
3	0390601043	0390601046	Enclosing Band	1
4	0391700153		Drive End Bracket	1
5	0391800323	0391800337	Securing Stud	1
6	0391802005		Plastic Cap	1
7	0392000015		Fan	1
8	9910356050		Diode	2
9	9910384005		Varistor	2
10	GECAP25MF	GECAP31MF	Capacitor, 25 / 31 MFZ	1
11	GES16COVER2		Blind Cap Lid	1
12	GES16W130CBOLTS	GES16W150CBOLTS	Securing Bolt	4
13	GES16WINIFLANGEB		Interchange Flange	1
14	Z77150		Hex Bolt, M8x1.25x20mm	4
15	Z77251		Hex Nut, M8x1.25	4





WALLENSTEIN Products Manufactured by:

EMB MFG Inc.

4144 Boomer Line
St. Clements, Ontario
Canada N0B 2M0
Phone: 1-877-695-9283
Fax: 519-699-4146
www.embmfg.com