



**WX370 Tractor Mount Splitter  
Parts Manual  
S/N 2370336 to S/N 2370356**



## Foreword

EMB Mfg. has prepared this parts manual to assist customers in ordering quality OEM replacement parts.

Proper and regular service and replacing old, worn or broken parts with the correct Wallenstein parts are essential to prolonging the life of your Wallenstein product. Please refer to this manual before ordering any replacement parts.

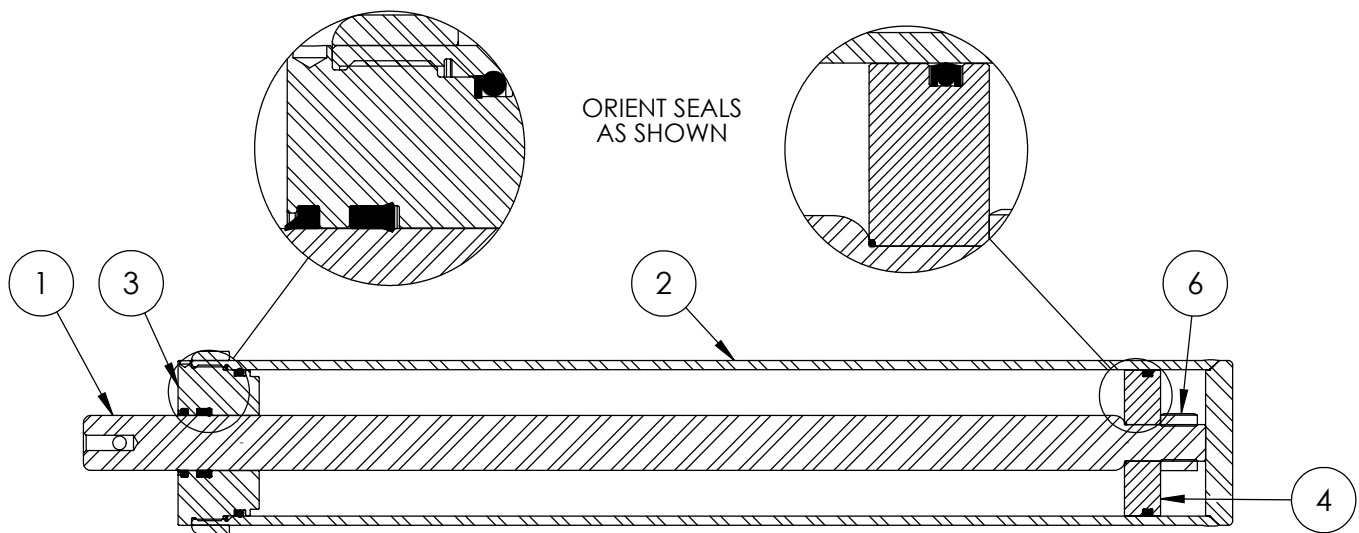
All information contained in this parts manual is based on the latest product specification available at the time of printing this manual. If your product differs from the specifications contained within this manual contact EMB Mfg. for information.

EMB reserves the right to alter specifications on their products at any time.

Reproduction of this parts manual of any kind is prohibited without prior written permission from EMB Mfg.

# Table of Contents

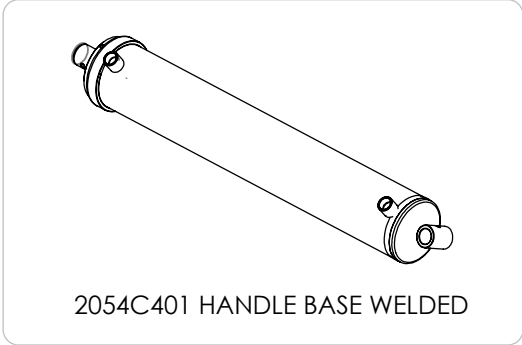
|                        |    |
|------------------------|----|
| Cylinder               | 4  |
| Main Parts             | 5  |
| Valve Assembly         | 6  |
| Valve and Fittings     | 8  |
| 4-Way Wedge (Optional) | 9  |
| Decal Breakdown        | 10 |

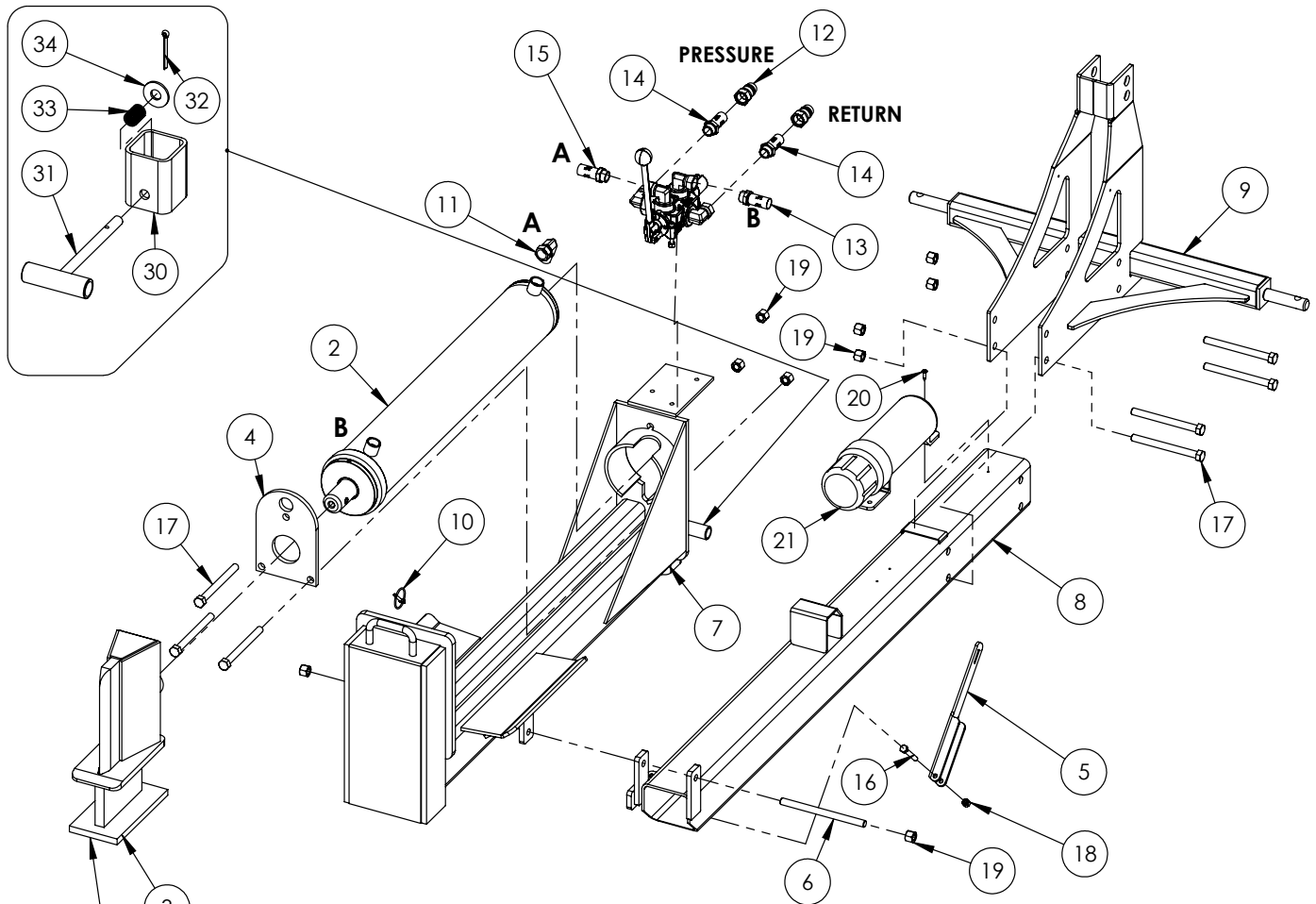


**4" x 24" STROKE CYLINDER PARTS**

| ITEM | PART NO.    | Description                   | QTY. |
|------|-------------|-------------------------------|------|
| 1    | 2011C1012   | Rod, 1-1/2 x 1                | 1    |
| 2    | 2011C1014   | Barrel, 4"                    | 1    |
|      | *2054C1015* | *Barrel, 4" with Handle Base* | *    |
| 3    | G400-150SA  | 4" Bore x 1-1/2" Rod Gland    | 1    |
| 4    | P100-400SA  | 4" Bore Piston                | 1    |
| 5    | SLK-4015    | Seal Kit, 4 x 1-1/2           | 1    |
| 6    | Z72292G8    | Hex Lock Nut 1NF Grade 8      | 1    |

\*REQUIRED FOR HORIZONTAL / VERTICAL MODELS WITH HANDLE\*

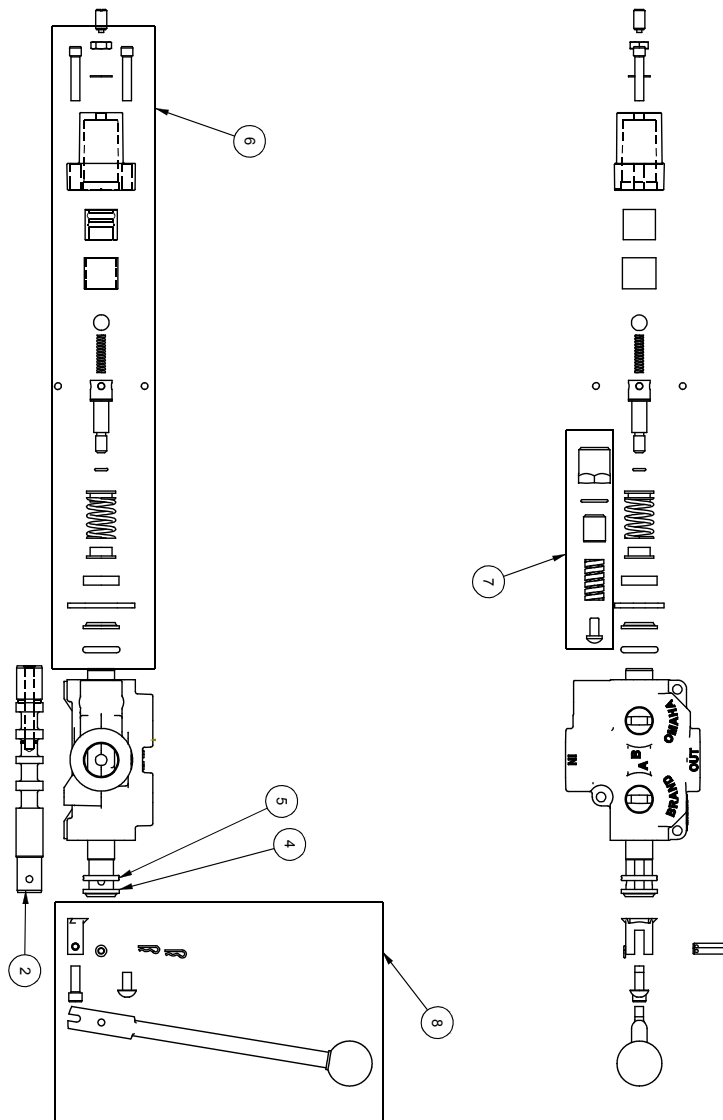




**WX370 PARTS BREAKDOWN**

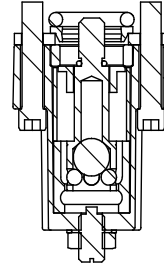
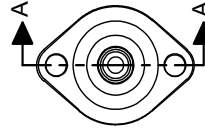
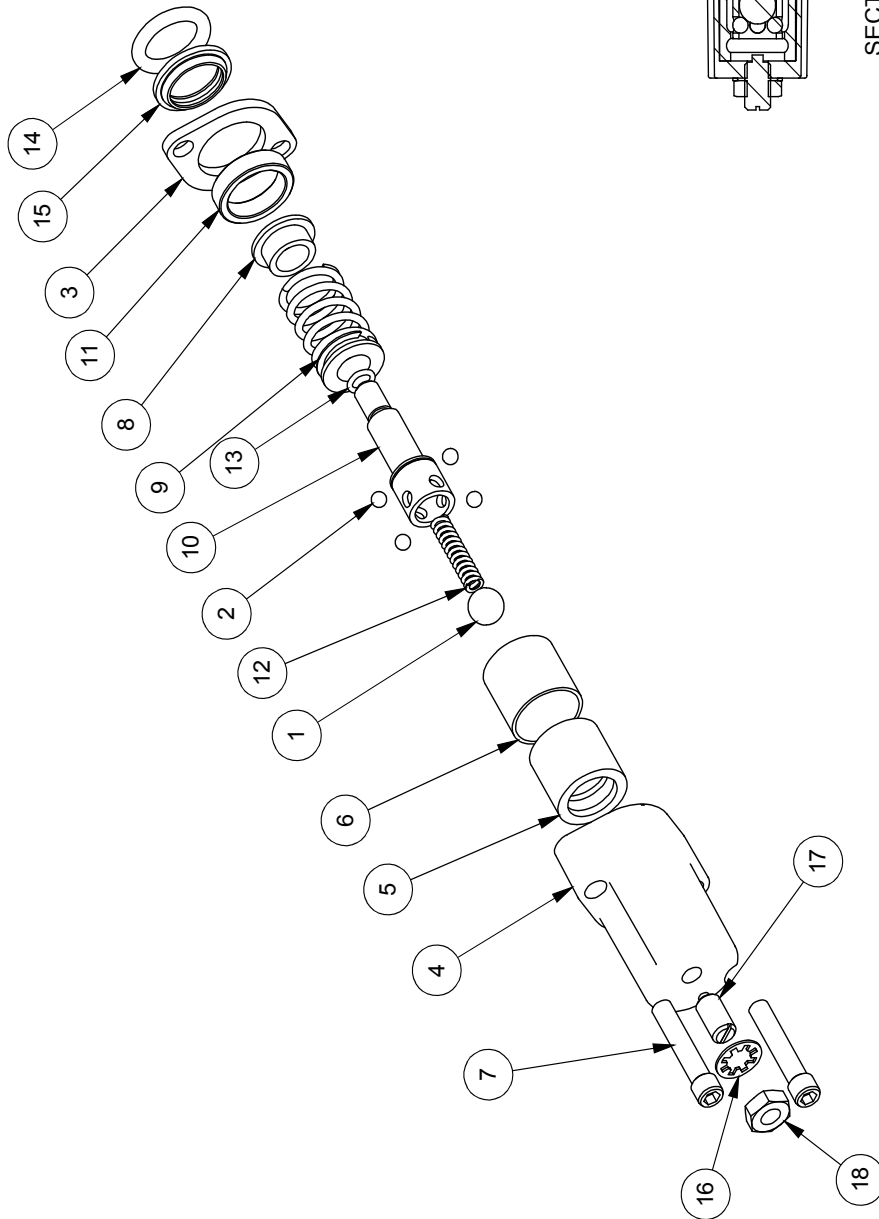
| ITEM | PART NO. | DESCRIPTION                      | QTY |
|------|----------|----------------------------------|-----|
| 1    | 2011A103 | Assembly, Valve with Fittings    | 1   |
| 2    | 2011C101 | Cylinder, 4 x 24 x 1-1/2         | 1   |
| 3    | 2014A401 | Assembly, Wide Sliding Wedge     | 1   |
| 4    | 2014S421 | Plate, Cylinder Retaining (Bolt) | 1   |
| 5    | 2016L002 | Locking Latch                    | 1   |
| 6    | 2016M602 | Pin, Pivot Threaded              | 1   |
| 7    | 2016W601 | Weldment, Hor / Ver Base         | 1   |
| 8    | 2016W605 | Main Base, WX370                 | 1   |
| 9    | 2016W606 | Weldment, 3pt Clamp-on           | 1   |
| 10   | Z12110   | Latch Pin 3/16                   | 1   |
| 11   | Z51331   | Elbow 90 MP x FFX 0808           | 1   |
| 12   | Z51903   | FP08 x Pioneer Coupler           | 2   |
| 13   | Z52301   | 1/2 Hose MP08 x MP08 x 16"       | 1   |
| 14   | Z52304   | 1/2 Hose, 1/2MP x 1/2MP x 120"   | 2   |
| 15   | Z52305   | 1/2 Hose, MP08 x MP08 x 24"      | 1   |
| 16   | Z71225   | Hex Bolt 5/16NC x 2-1/2          | 1   |
| 17   | Z71555   | Hex Bolt 1/2NC x 5-1/2           | 7   |
| 18   | Z72221   | Hex Lock Nut 5/16NC              | 1   |
| 19   | Z72251   | Hex Lock Nut 1/2NC               | 9   |
| 20   | Z76712   | Self-tapping Screw #10           | 1   |
| 21   | Z96503   | Manual Tube 3-1/2 Short          | 1   |
| ITEM | PART NO. | DESCRIPTION                      | QTY |
| 30   | 2016S604 | Housing, Latch Spring            | 1   |
| 31   | 2016W603 | Handle, Spring Latch             | 1   |
| 32   | Z12321   | Cotter Pin 3/16 X 2-1/2          | 1   |
| 33   | Z32301   | Spring 19mm x 79mm Med           | 1   |
| 34   | Z73250   | Wide Flat Washer, 1/2            | 1   |
| ITEM | PART NO. | DESCRIPTION                      | QTY |
| 40   | 2014W402 | Weldment, Sliding Wedge          | 1   |
| 41   | 2014S414 | Plate, Sliding Wedge Capture     | 1   |
| 42   | Z71325   | Hex Bolt 3/8NC x 2-1/2           | 1   |
| 43   | Z71576   | Hex Bolt 1/2NF x 1-1/2           | 4   |
| 44   | Z72231   | Hex Lock Nut 3/8NC               | 1   |

# Valve Assembly

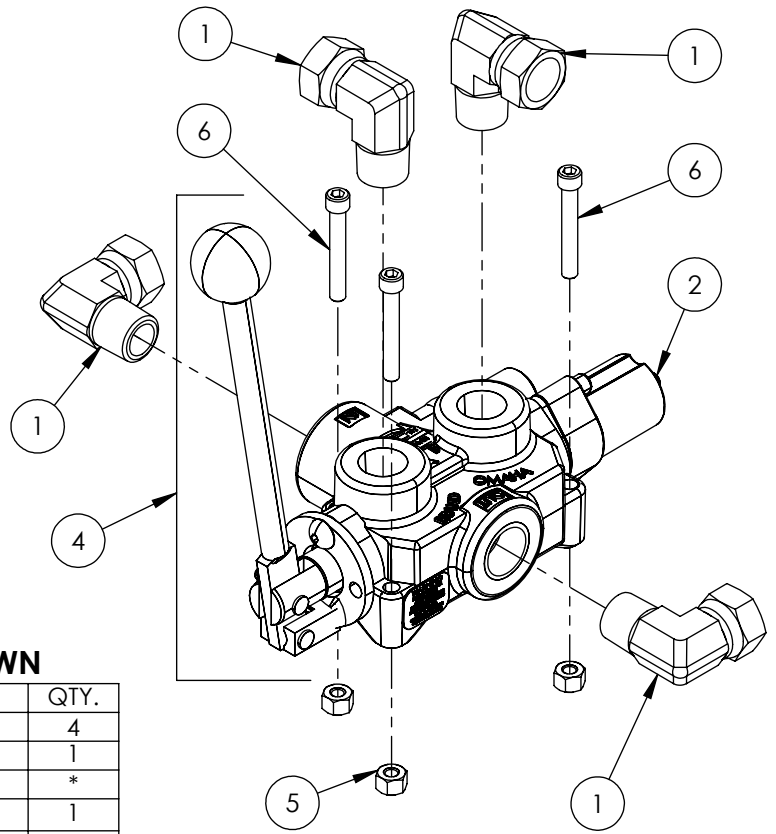


| ITEM NO. | QTY. | PART NO. | DESCRIPTION          |
|----------|------|----------|----------------------|
| 1        | 1    | A0CASTB  | AO CASTING           |
| 2        | 1    | LS304T4J | SPOOL                |
| 3        | 1    | P1740    | NAME TAG             |
| 4        | 1    | SF305    | WIPER                |
| 5        | 1    | SF304    | QUAD RING            |
| 6        | 1    | SUB-LS   | SUB-LS               |
| 7        | 1    | B5057    | 7/16 BALL            |
| 8        | 1    | DC7604   | 3/16 BALL            |
| 9        | 1    | SF306    | RETAINER             |
| 10       | 1    | SF477L   | SH LS ENDCAP         |
| 11       | 1    | XDC672   | LS SLEEVE            |
| 12       | 1    | SF483    | SPACER               |
| 13       | 2    | SF486    | ALLEN SCREW          |
| 14       | 2    | SF489    | CENTER STOP          |
| 15       | 1    | SF490    | CENTERING SPRING     |
| 16       | 1    | SF492    | HOUSING              |
| 17       | 1    | SF315    | SPACER               |
| 18       | 1    | LS305    | DETENT SPRING        |
| 19       | 1    | DC7683   | O-RING 3-902         |
| 20       | 1    | SF496    | O-RING, BLUE, METRIC |
| 21       | 1    | LS306    | LS WIPER             |
| 22       | 1    | SF902    | 5/16 LOCK WASHER     |
| 23       | 1    | SF503    | PLUNGER, SPRING      |
| 24       | 1    | SF504    | 5/16 HEX JAM NUT     |
| 25       | 1    | SUB-R    | RELIEF               |
| 26       | 1    | P1603    | CAP NUT              |
| 27       | 1    | SF322    | O-RING 2-016         |
| 28       | 1    | SF364A   | ADJ. SCREW           |
| 29       | 1    | B505     | SPRING               |
| 30       | 1    | SF361A   | POPPET               |
| 31       | 1    | Z56915   | HANDLE KIT           |
| 32       | 1    | SF377    | RETAINER             |
| 33       | 1    | SF376    | SEAL RETAINER        |
| 34       | 1    | SF367A   | CLEVIS               |
| 35       | 1    | SF366    | HANDLE               |
| 36       | 2    | P1767    | PIN                  |
| 37       | 2    | SF369    | PIN CLIP             |
| 38       | 1    | HP5      | MACH. SCREW          |
| 39       | 1    | SF311    | KNOB                 |
| 40       | 1    | SF308    | CAP SCREW            |
| 41       | 1    | SF303T4J | SPOOL                |
| 42       | 1    | P1664    | WARNING TAG          |

| ITEM NO. | QTY. | PART NO. | DESCRIPTION      |
|----------|------|----------|------------------|
| 1        | 1    | B5057    | 7/16 BALL        |
| 2        | 4    | DC7604   | 3/16 BALL        |
| 3        | 1    | SF306    | RETAINER         |
| 4        | 1    | SF477L   | SH LS ENDCAP     |
| 5        | 1    | SF480    | SD SLEEVE        |
| 6        | 1    | SF483    | SPACER           |
| 7        | 2    | SF486    | ALLEN SCREW      |
| 8        | 2    | SF489    | CENTER STOP      |
| 9        | 1    | SF490    | CENTERING SPRING |
| 10       | 1    | SF492    | HOUSING          |
| 11       | 1    | SF315    | SPACER           |
| 12       | 1    | LS305    | DETENT SPRING    |
| 13       | 1    | DC7583   | O-RING 3-902     |
| 14       | 1    | SF496    | METRIC O-RING    |
| 15       | 1    | LS306    | LS WIPER         |
| 16       | 1    | SF502    | 5/16 LOCK WASHER |
| 17       | 1    | SF503    | SPRING PLUNGER   |
| 18       | 1    | SF504    | 5/16 HEX JAM NUT |



SECTION A-A

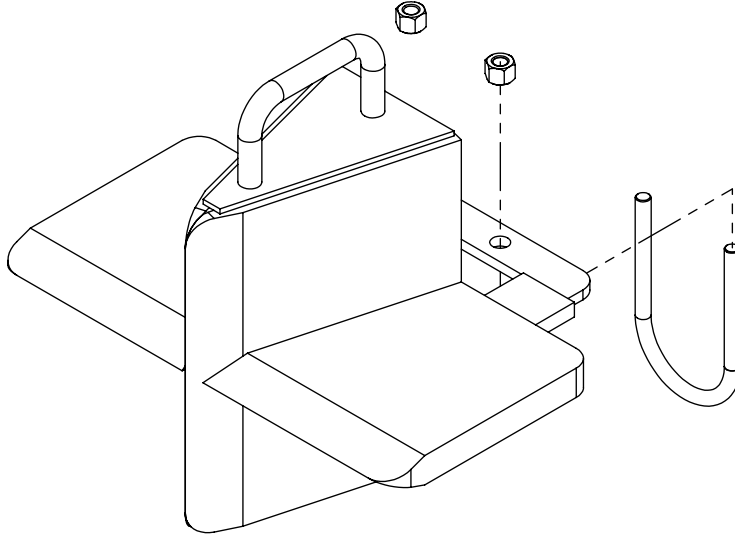


**VALVE AND FITTINGS PARTS BREAKDOWN**

| ITEM | PART NO. | Description                    | QTY. |
|------|----------|--------------------------------|------|
| 1    | Z51331   | Elbow 90 MP x FPX 0808         | 4    |
| 2    | Z56209   | Valve, Single Function Detent  | 1    |
| 3    | *Z56210* | Valve, Closed Center           | *    |
| 4    | Z56915   | Complete Handle Kit for Z56209 | 1    |
| 5    | Z72111   | Hex Lock Nut 1/4NC             | 3    |
| 6    | Z75114   | SHCS, 1/4NC x 1-3/4            | 3    |

\*CLOSED CENTER VALVE REQUIRED FOR "C" MODELS.\*



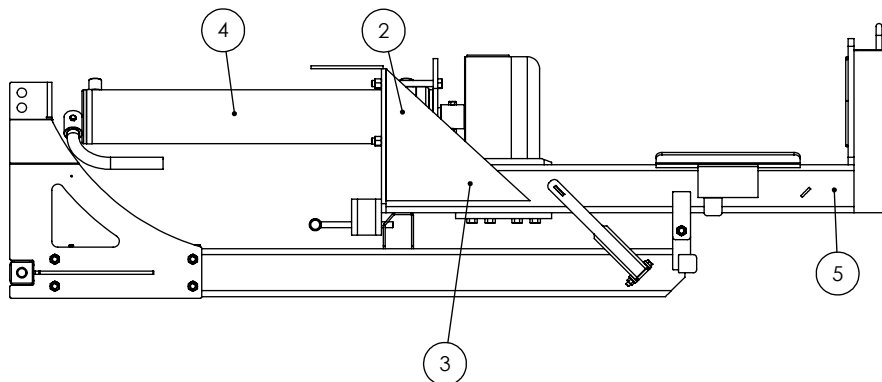
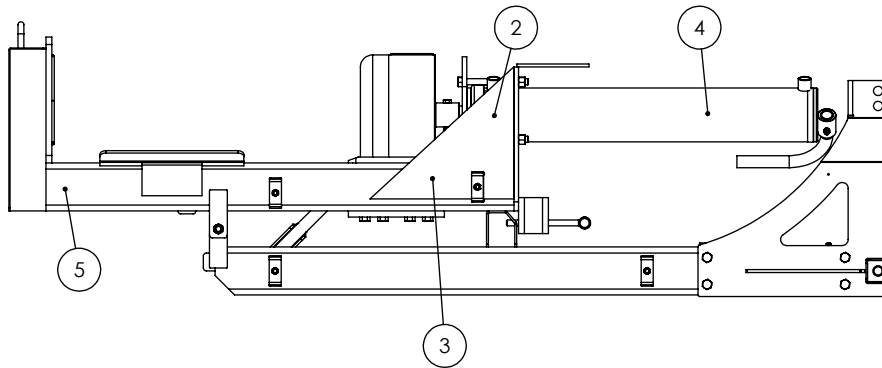
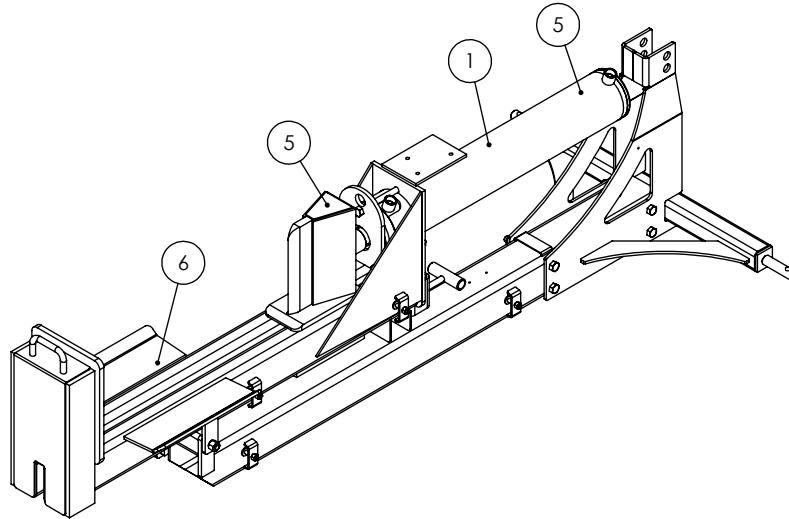


### W4120 4-Way Wedge (Optional)

| ITEM | PART NO. | DESCRIPTION          | QTY |
|------|----------|----------------------|-----|
| 1    | 2082W201 | Weldment, Main W4120 | 1   |
| 2    | 2082S201 | Safety U-bolt        | 1   |
| 3    | Z72231   | Hex Lock Nut 3/8NC   | 2   |

### WX370 DECAL BREAKDOWN

| ITEM | PART NO. | DESCRIPTION            | QTY |
|------|----------|------------------------|-----|
| 1    | Z94039   | CAUTION - Read Manual  | 1   |
| 2    | Z94040   | WARNING - Moving Wedge | 2   |
| 3    | Z94067   | Clear Guide            | 2   |
| 4    | Z94056   | Wallenstein            | 2   |
| 5    | Z94019   | Made in Canada         | 4   |
| 6    | Z94066   | Apply Oil or Grease    | 1   |



## 3PH Splitter Decals

Z94056



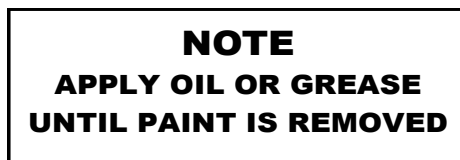
Z94067



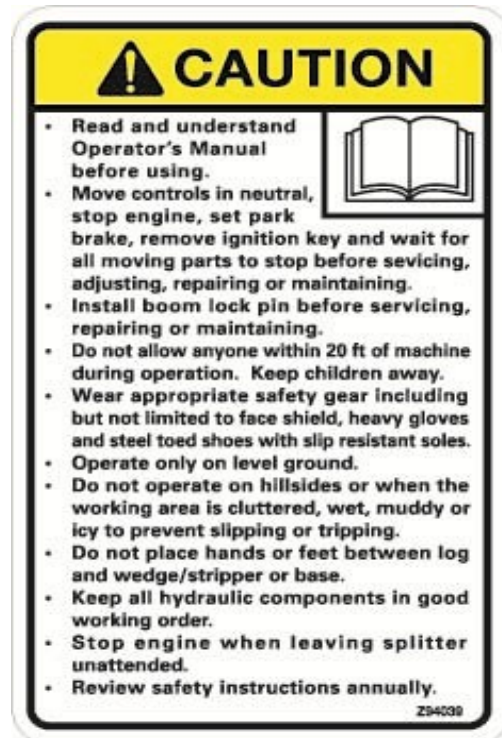
Z94019



Z94066



Z94039



Z94040





**WALLENSTEIN Products Manufactured by:**

**EMB MFG Inc.**

4144 Boomer Line  
St. Clements, Ontario  
Canada N0B 2M0  
Phone: 1-877-695-9283  
Fax: 519-699-4146  
[www.embmfg.com](http://www.embmfg.com)