



# WX430 Skidsteer Splitter Parts Manual

S/N 150001 through 150449



# Foreword

EMB Mfg. has prepared this parts manual to assist customers in ordering quality OEM replacement parts.

Proper and regular service and replacing old, worn or broken parts with the correct OEM parts are essential to prolonging the life of your EMB product. Please refer to this manual before ordering any replacement parts.

All information contained in this parts manual is based on the latest product specification available at the time of printing this manual. If your product differs from the specifications contained within this manual contact EMB Mfg. for information.

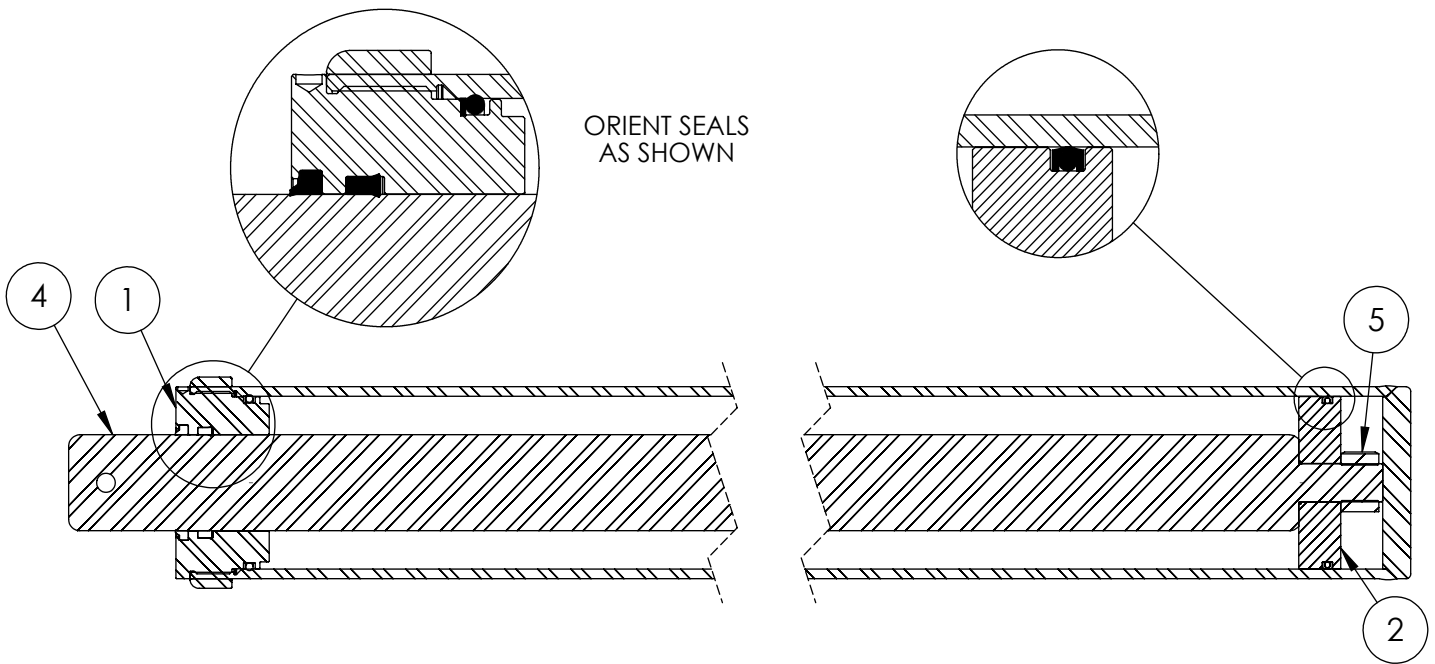
EMB reserves the right to alter specifications on their products at any time.

Reproduction of this parts manual of any kind is prohibited without prior written permission from EMB Mfg.

# Table of Contents

Cylinder	5
Main Parts	7
Decal Breakdown	8

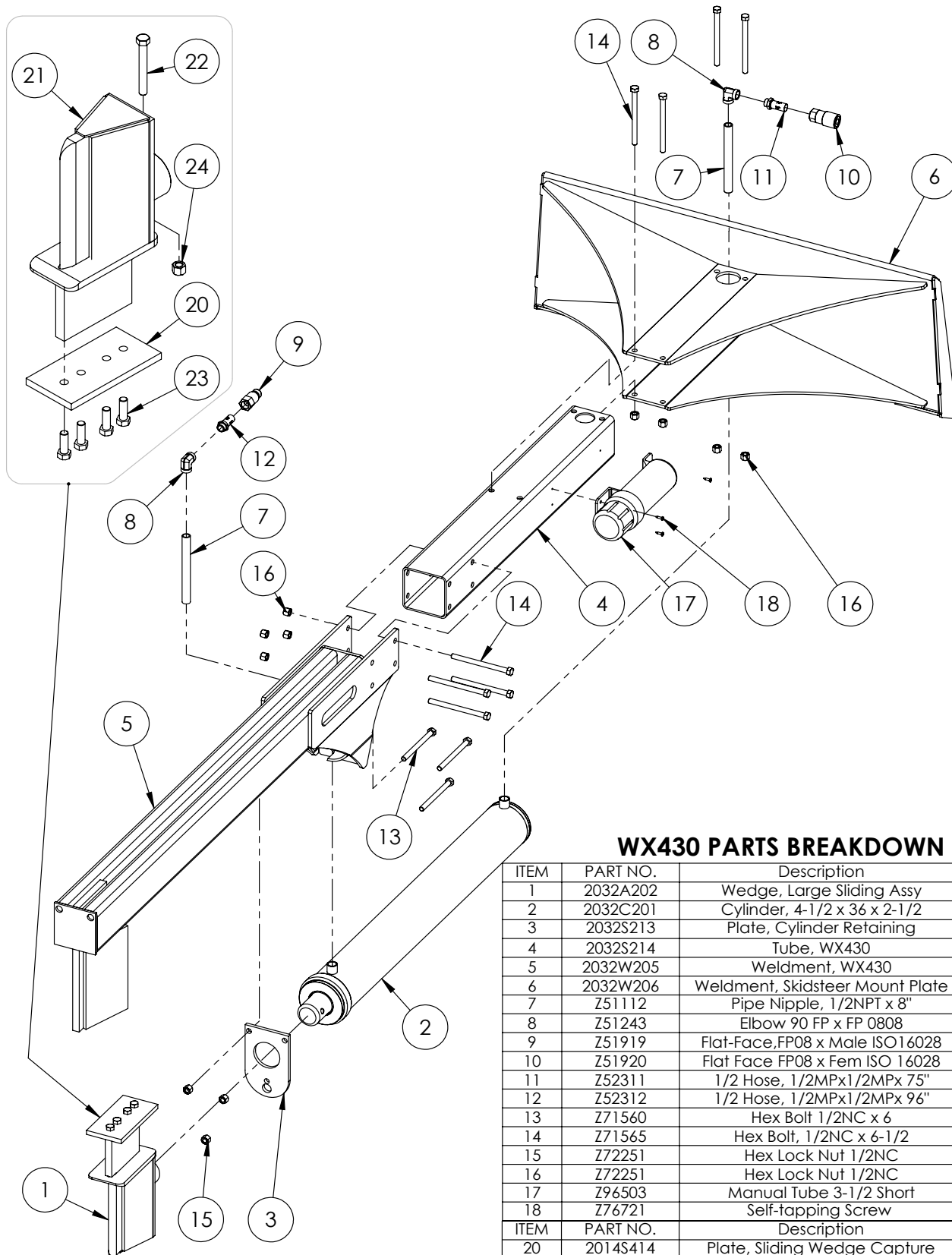
This Page is Intentionally Blank



**4-1/2" x 36" STROKE CYLINDER PARTS**

ITEM	PART NO.	DESCRIPTION	QTY
1	G450-250SA	4-1/2" Bore x 2-1/2" Rod Gland With Seals	1
2	P100-450SA	4-1/2" Bore Piston With Seals	1
3	2032C2011	Barrel, 4-1/2"	1
4	2032C2013	Rod, 2-1/2x 1	1
5	Z72292G8	Hex Lock Nut 1NF Grade 8	1
6	SLK-4525	Seal Kit, 4-1/2 x 2-1/2	1

This Page is Intentionally Blank

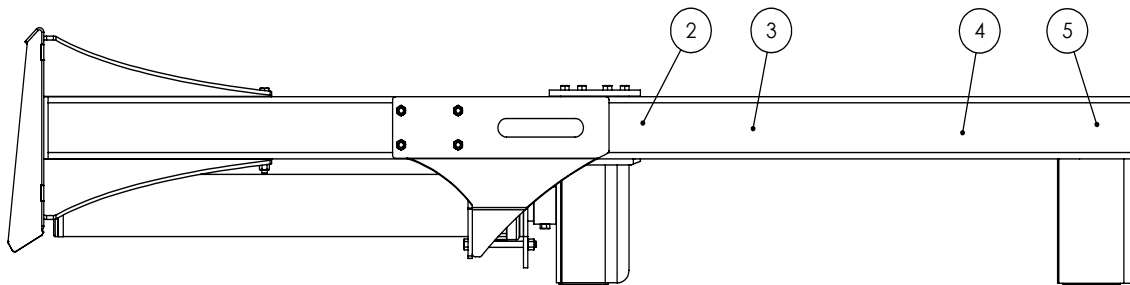
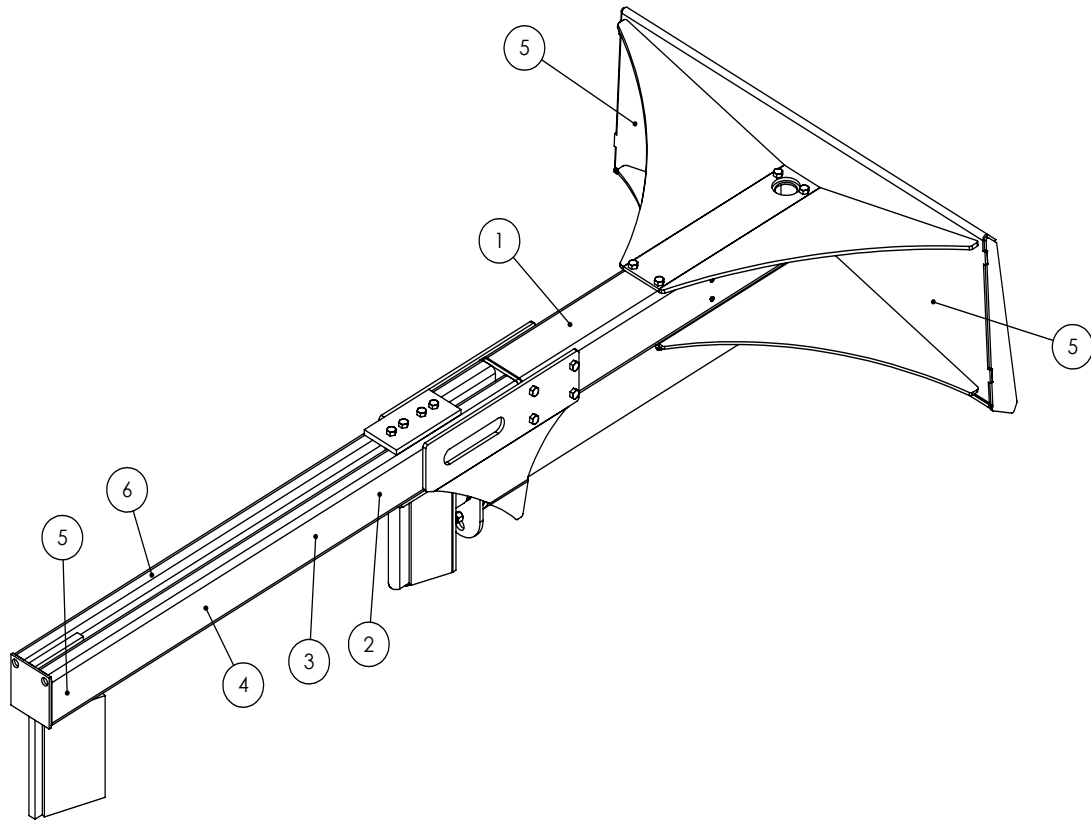


**WX430 PARTS BREAKDOWN**

ITEM	PART NO.	Description	QTY.
1	2032A202	Wedge, Large Sliding Assy	1
2	2032C201	Cylinder, 4-1/2 x 36 x 2-1/2	1
3	2032S213	Plate, Cylinder Retaining	1
4	2032S214	Tube, WX430	1
5	2032W205	Weldment, WX430	1
6	2032W206	Weldment, Skidsteer Mount Plate	1
7	Z51112	Pipe Nipple, 1/2NPT x 8"	2
8	Z51243	Elbow 90 FP x FP 0808	2
9	Z51919	Flat-Face,FP08 x Male ISO16028	1
10	Z51920	Flat Face FP08 x Fem ISO 16028	1
11	Z52311	1/2 Hose, 1/2MPx1/2MPx 75"	1
12	Z52312	1/2 Hose, 1/2MPx1/2MPx 96"	1
13	Z71560	Hex Bolt 1/2NC x 6	3
14	Z71565	Hex Bolt, 1/2NC x 6-1/2	8
15	Z72251	Hex Lock Nut 1/2NC	3
16	Z72251	Hex Lock Nut 1/2NC	8
17	Z96503	Manual Tube 3-1/2 Short	1
18	Z76721	Self-tapping Screw	3
ITEM	PART NO.	Description	QTY.
20	2014S414	Plate, Sliding Wedge Capture	1
21	2032W203	Wedge, Large Sliding	1
22	Z71540	Hex Bolt 1/2NC x 4	1
23	Z71576	Hex Bolt 1/2NF x 1-1/2	4
24	Z72251	Hex Lock Nut 1/2NC	1

### WX430 DECAL BREAKDOWN

ITEM	PART NO.	DESCRIPTION	QTY
1	Z94039	CAUTION - Read Manual	1
2	Z94040	WARNING - Moving Wedge	2
3	Z94067	Clear Guide	2
4	Z94056	Wallenstein	2
5	Z94019	Made in Canada	4
6	Z94066	Apply Oil or Grease	1





# Skidsteer Splitter Decals

Z94056



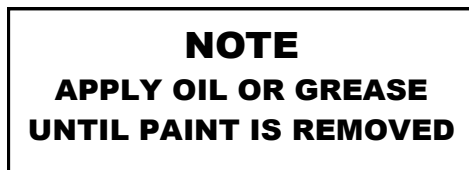
Z94067



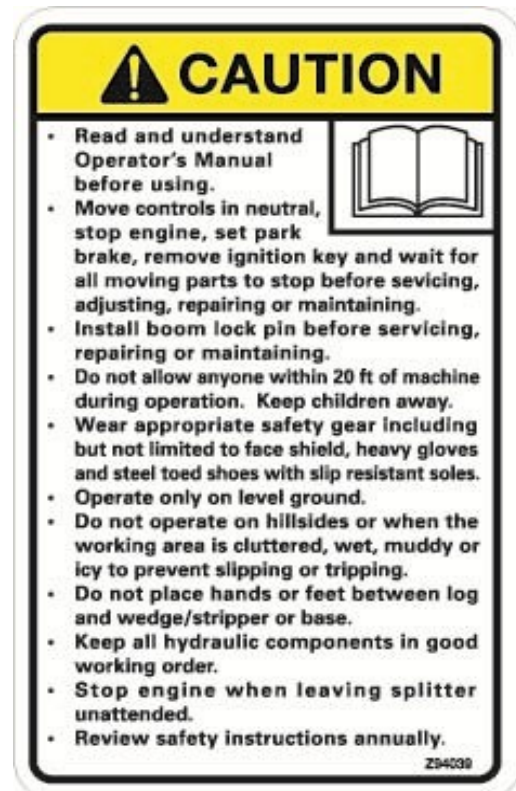
Z94019



Z94066



Z94039

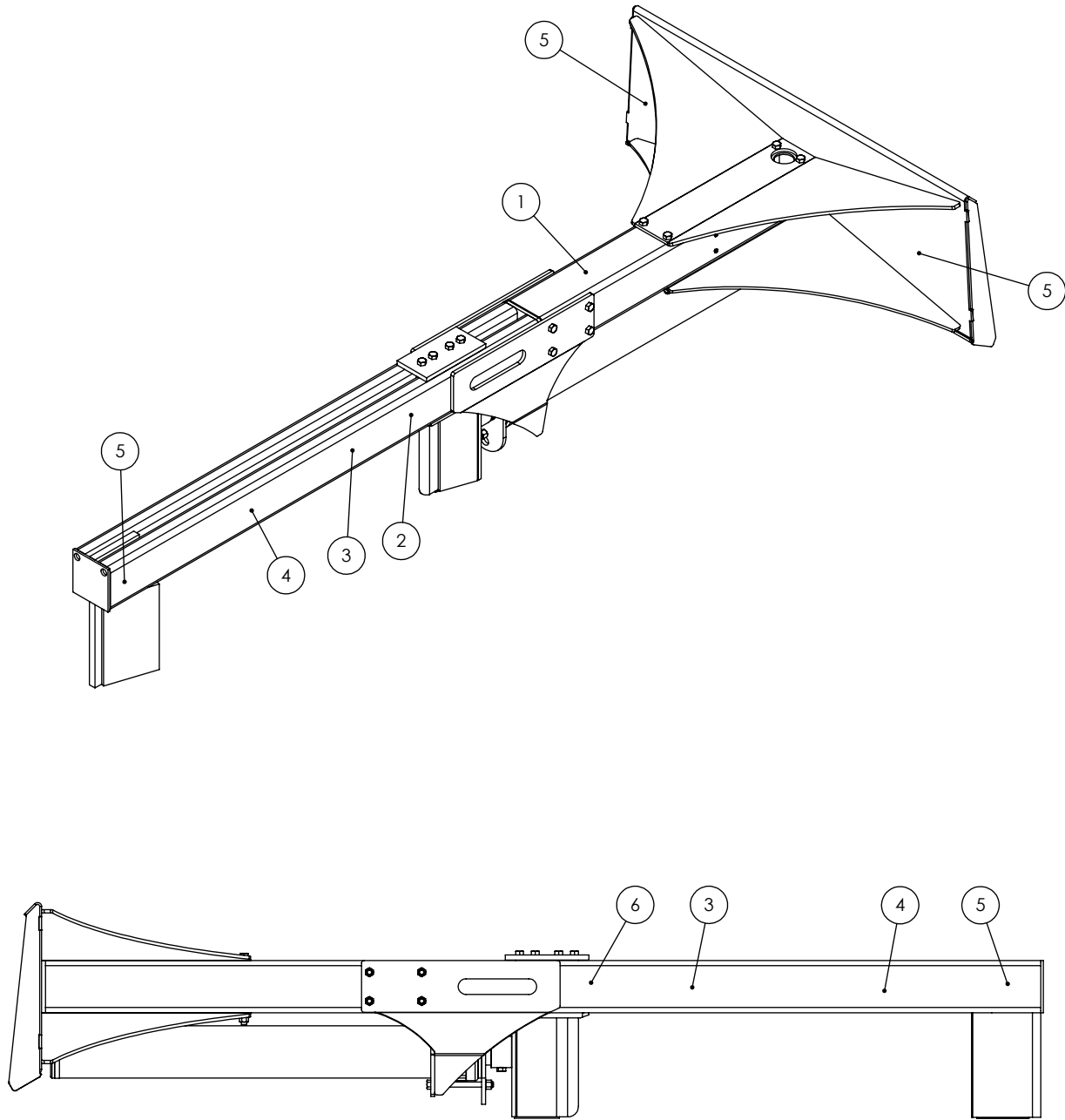


Z94040



### TWO PANEL WX430 DECAL BREAKDOWN

ITEM	PART NO.	DESCRIPTION	QTY
1	Z94119	CAUTION - Read Manual	1
2	Z94123	Keep Feet Clear	1
3	Z94067	Clear Guide	2
4	Z94056	Wallenstein	2
5	Z94019	Made in Canada	4
6	Z94124	Keep Hands Clear	1



# Two Panel Skidsteer Splitter Decals

Z94019



Z94067



Z94056



Z94119



Z94123



Z94124





**WALLENSTEIN Products Manufactured by:**

**EMB MFG Inc.**

4144 Boomer Line  
St. Clements, Ontario  
Canada N0B 2M0  
Phone: 1-877-695-9283  
Fax: 519-699-4146  
[www.embmfg.com](http://www.embmfg.com)