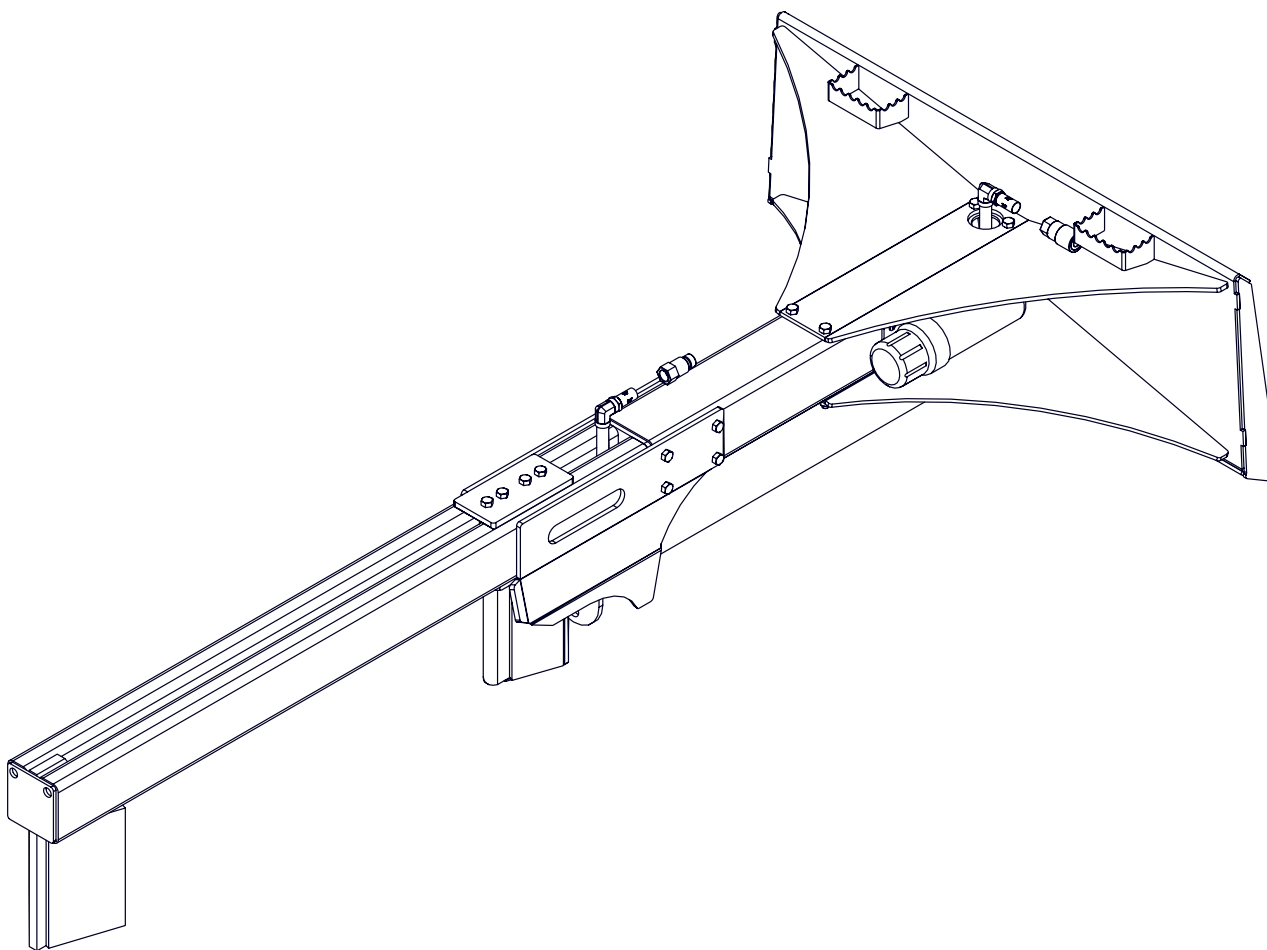




EMB Manufacturing Inc.  
4144 Boomer Line · St. Clements, On · N0B 2M0 · Canada  
Ph: (519) 699-9283 · Fax: (519) 699-4146  
[www.wallensteinequipment.com](http://www.wallensteinequipment.com)

# WX430 Skidsteer Splitter Parts Manual

Starting with S/N 150450 & After



Refer to the operators  
manual for safe  
operation and  
maintenance

## Foreword

EMB Mfg. has prepared this parts manual to assist customers in ordering quality OEM replacement parts.

Proper and regular service and replacing old, worn or broken parts with the correct OEM parts are essential to prolonging the life of your EMB product. Please refer to this manual before ordering any replacement parts.

All information contained in this parts manual is based on the latest product specification available at the time of printing this manual. If your product differs from the specifications contained within this manual contact EMB Mfg. for information.

EMB reserves the right to alter specifications on their products at any time.

Reproduction of this parts manual of any kind is prohibited without prior written permission from EMB Mfg.

For parts and information please contact your dealer. If your dealer is no longer available please go to our website: <http://www.wallensteinequipment.com> and click on "FIND A DEALER NEAR YOU" for information on a local dealer.

## Table of Contents

<b>Bolt Torque.....</b>	<b>4</b>
<b>Main Parts.....</b>	<b>5</b>
<b>Cylinder Assembly .....</b>	<b>6</b>
<b>Hydraulic Hose List .....</b>	<b>6</b>
<b>Label Layout.....</b>	<b>7</b>
<b>Accessories.....</b>	<b>8</b>

Maintenance should be performed by  
trained personnel only.



Refer to the operators  
manual for safe  
operation and  
maintenance

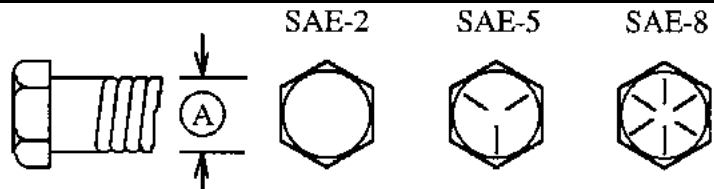
**Bolt Torque**

**CHECKING BOLT TORQUE**

The tables shown below give correct torque values for various bolts and capscrews. Tighten all bolts to the torques specified in chart unless otherwise noted. Check tightness of bolts periodically, using bolt torque chart as a guide. Replace hardware with the same strength bolt.

**ENGLISH TORQUE SPECIFICATIONS**

Bolt Diameter "A"	Bolt Torque*					
	SAE 2 (N.m) (lb-ft)		SAE 5 (N.m) (lb-ft)		SAE 8 (N.m) (lb-ft)	
1/4"	8	6	12	9	17	12
5/16"	13	10	25	19	36	27
3/8"	27	20	45	33	63	45
7/16"	41	30	72	53	100	75
1/2"	61	45	110	80	155	115
9/16"	95	60	155	115	220	165
5/8"	128	95	215	160	305	220
3/4"	225	165	390	290	540	400
7/8"	230	170	570	420	880	650
1"	345	225	850	630	1320	970

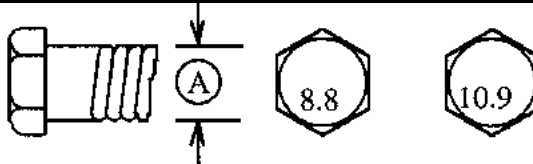


Torque figures indicated above are valid for non-greased or non-oiled threads and heads unless otherwise specified. Therefore, do not grease or oil bolts or capscrews unless otherwise specified in this manual. When using locking elements, increase torque values by 5%.

\* Torque value for bolts and capscrews are identified by their head markings.

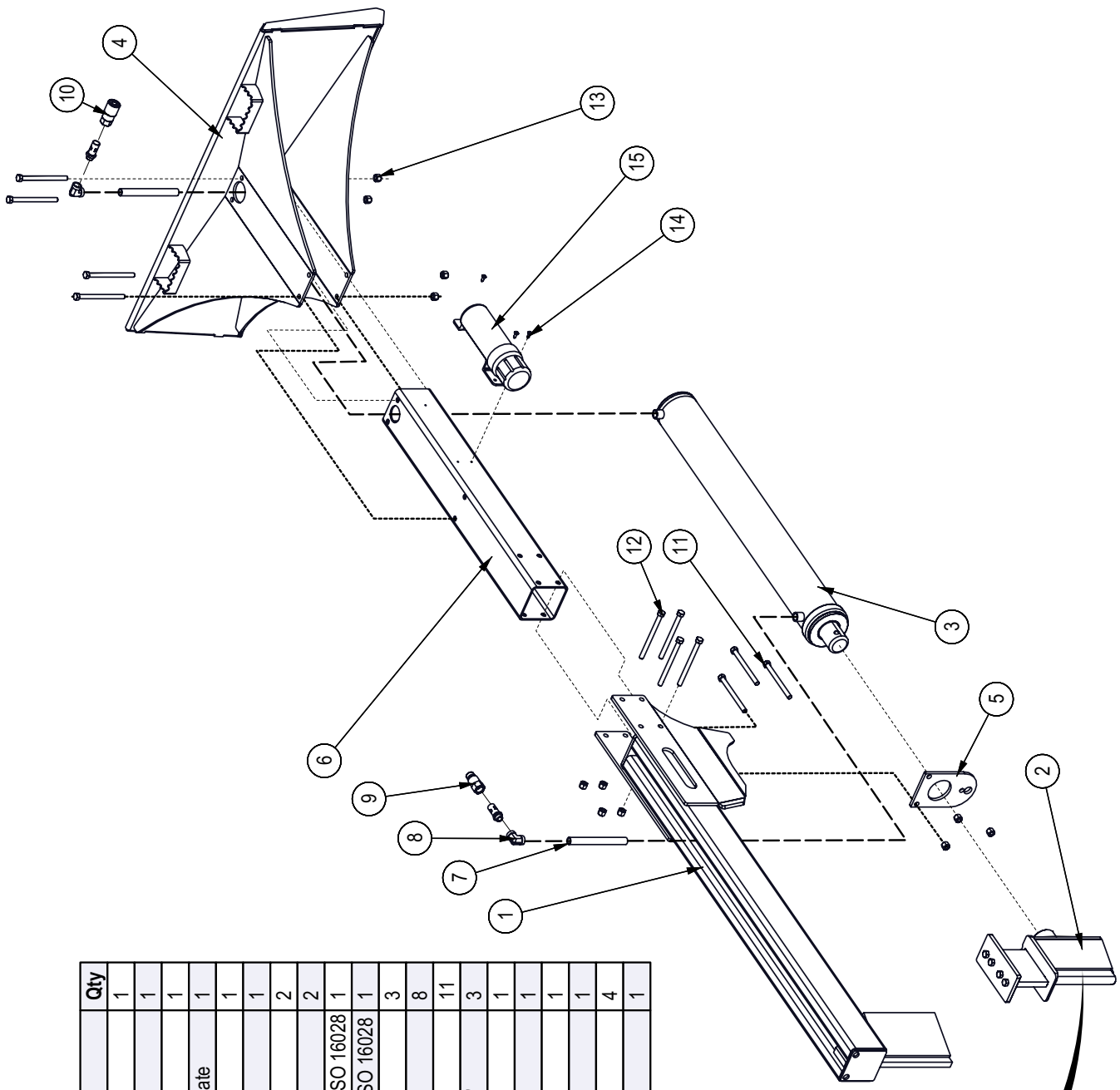
**METRIC TORQUE SPECIFICATIONS**

Bolt Diameter "A"	Bolt Torque*			
	8.8 (N.m) (lb-ft)		10.9 (N.m) (lb-ft)	
M3	0.5	0.4	1.8	1.3
M4	3	2.2	4.5	3.3
M5	6	4	9	7
M6	10	7	15	11
M8	25	18	35	26
M10	50	37	70	52
M12	90	66	125	92
M14	140	103	200	148
M16	225	166	310	229
M20	435	321	610	450
M24	750	553	1050	774
M30	1495	1103	2100	1550
M36	2600	1917	3675	2710



**Main Parts**

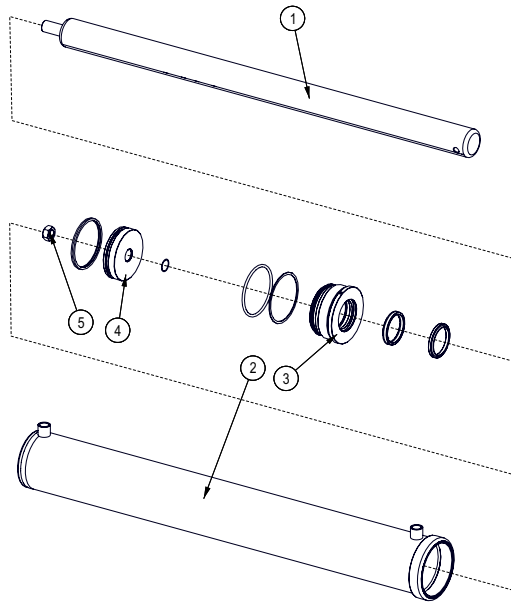
BOM ID	Part No.	Description	Qty
1	2032W205	Weldment, WX430	1
2	2032A202	Wedge, Large Sliding Assy	1
3	2032C201	Cylinder, 4-1/2 x 36 x 2-1/2	1
4	2032W206	Weldment, Skidsteer Mount Plate	1
5	2032S213	Plate, Cylinder Retaining	1
6	2032S214	Tube, WX430	1
7	Z51112	Pipe Nipple, MP08 x 8"	2
8	Z51243	Elbow 90, FP x FP 0808	2
9	Z51919	Flat-Face Coupler, FP08 x M ISO 16028	1
10	Z51920	Flat-Face Coupler, FP08 x F ISO 16028	1
11	Z71560	Hex Bolt, 1/2NC x 6"	3
12	Z71565	Hex Bolt, 1/2NC x 6-1/2"	8
13	Z72251	Hex Lock Nut, 1/2NC	11
14	Z76721	Self-tapping Screw, 1/4" x 3/4"	3
15	Z96503	Manual Tube, 3-1/2" Short	1
16	2032W203	Wedge, Large Sliding	1
17	2014S414	Plate, Sliding Wedge Capture	1
18	Z71537	Hex Bolt, 1/2NC x 3-3/4"	1
19	Z71576G8	Hex Bolt, 1/2NF x 1-1/2" G8	4
20	Z72251	Hex Lock Nut, 1/2NC	1



Detail of 2032A202 Large Sliding Wedge Assy

**Cylinder Assembly**

**Seal Kit #SLK-4525**



BOM ID	Part No.	Description	Qty
1	2032C2013	Rod, 2-1/2x 1	1
2	2032C2011	Barrel, 4-1/2"	1
3	G450-250S	Gland, 4-1/2" x 2-1/2"	1
4	P100-450SP	Piston, 4-1/2" Bore	1
5	Z72276	Hex Top-lock Nut, 3/4NF	1

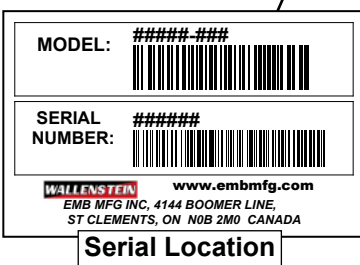
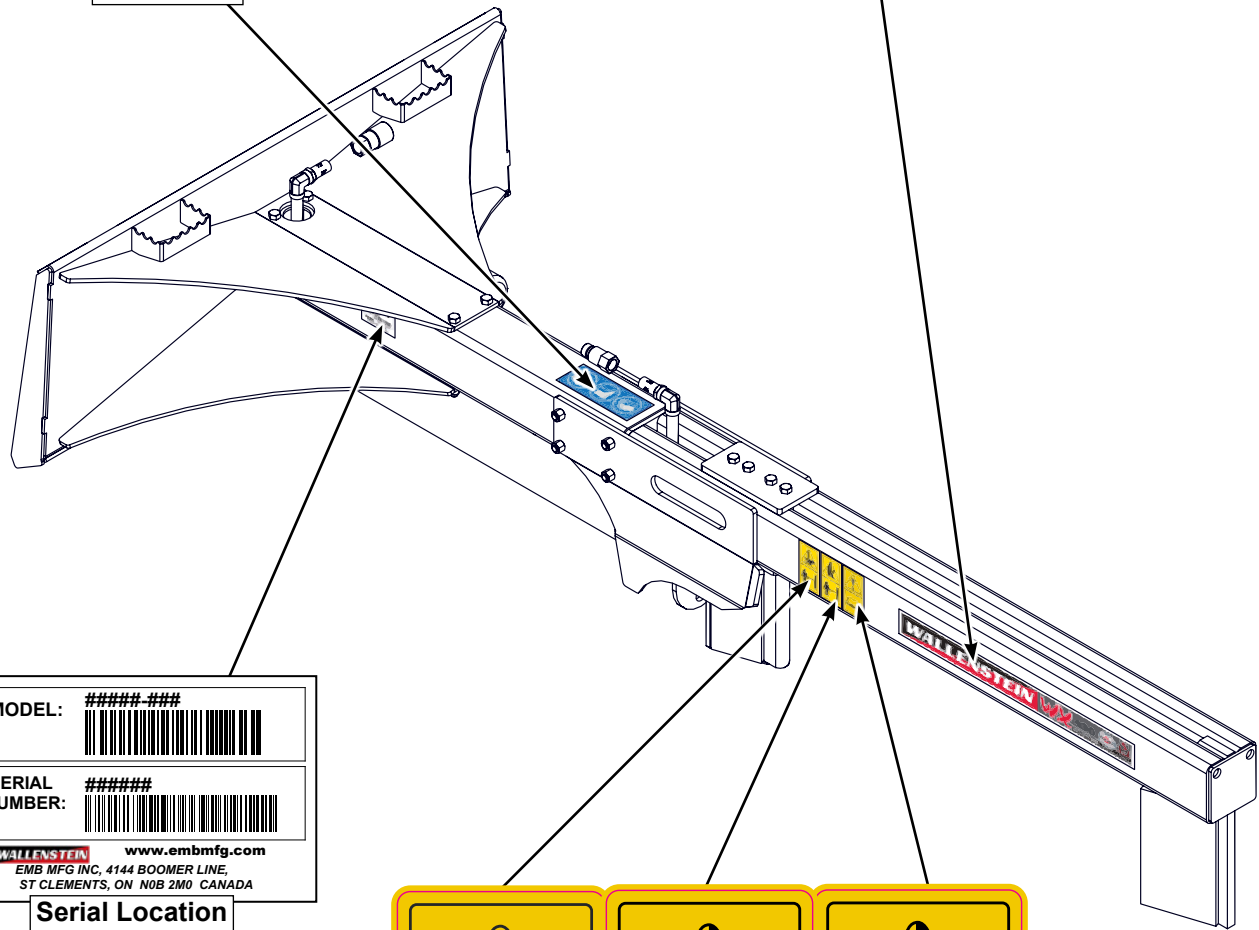
**Hydraulic Hose List**

PART NUMBER	DESCRIPTION	QTY
Z52311	1/2" Hose, MP08 x MP08 x 72"	1
Z52312	1/2" Hose, MP08 x MP08 x 96"	1

**Label Layout**



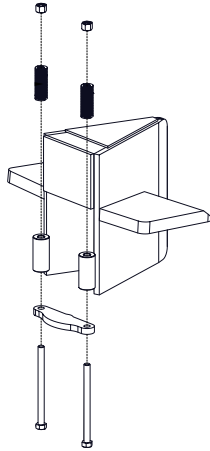
WX430 Z94674 x 2



**Accessories**

Call your dealer for pricing and availability

**#4130 - 4 Way Wedge**



**#4130 4 WAY WEDGE**

Boost your productivity and make quick work out of logs by splitting four pieces at once. This is an ideal way to save time.



**#Z97019  
 SKID STEER  
 MOUNTED WOODSPLITTER  
 OPERATOR'S MANUAL**

Available as a download at  
[www.wallensteinequipment.com](http://www.wallensteinequipment.com)