



**WX350 Tractor Mount Splitter  
Parts Manual  
S/N 2350100 & 2350252**



## Foreword

EMB Mfg. has prepared this parts manual to assist customers in ordering quality OEM replacement parts.

Proper and regular service and replacing old, worn or broken parts with the correct Wallenstein parts are essential to prolonging the life of your Wallenstein product. Please refer to this manual before ordering any replacement parts.

All information contained in this parts manual is based on the latest product specification available at the time of printing this manual. If your product differs from the specifications contained within this manual contact EMB Mfg. for information.

EMB reserves the right to alter specifications on their products at any time.

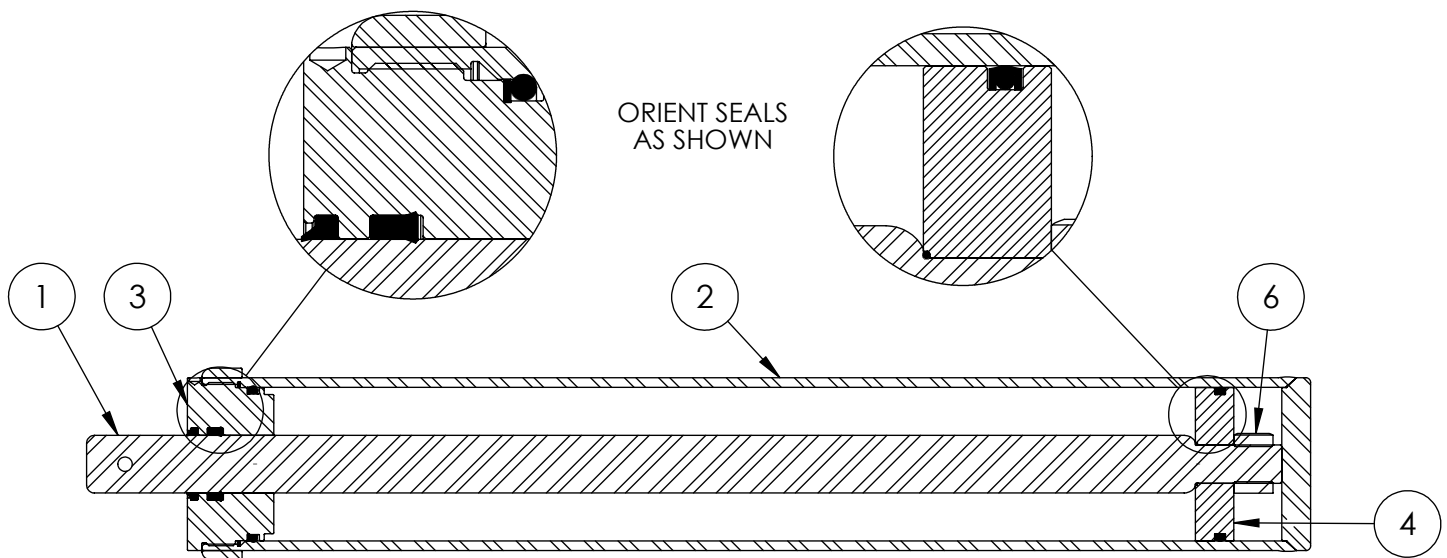
Reproduction of this parts manual of any kind is prohibited without prior written permission from EMB Mfg.

**Note:** Products with factory installed light kits will have a VIN number included. The last six numbers of this VIN number are the splitters serial number

Example: 2E9US1112BSXXXXXX

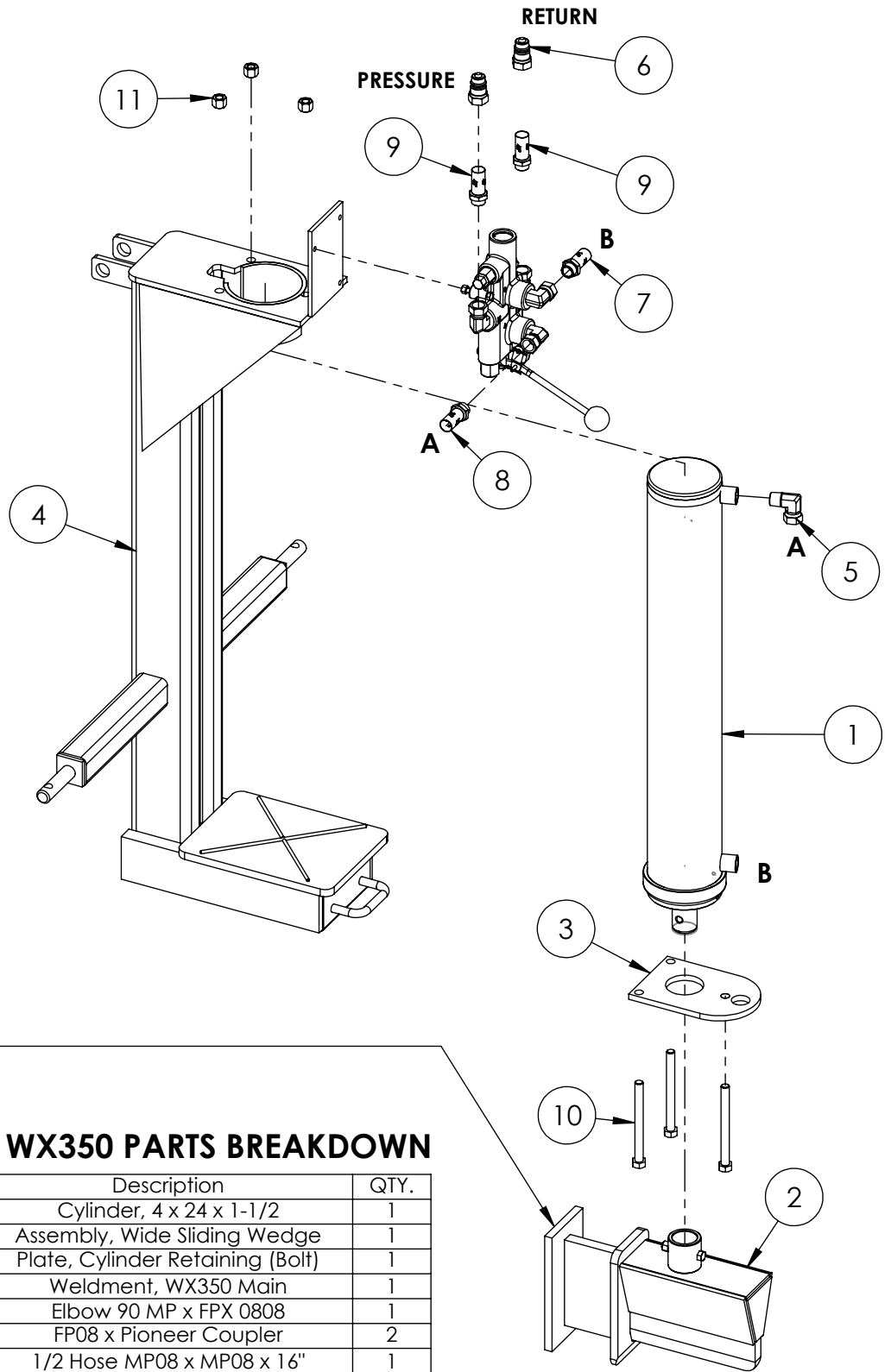
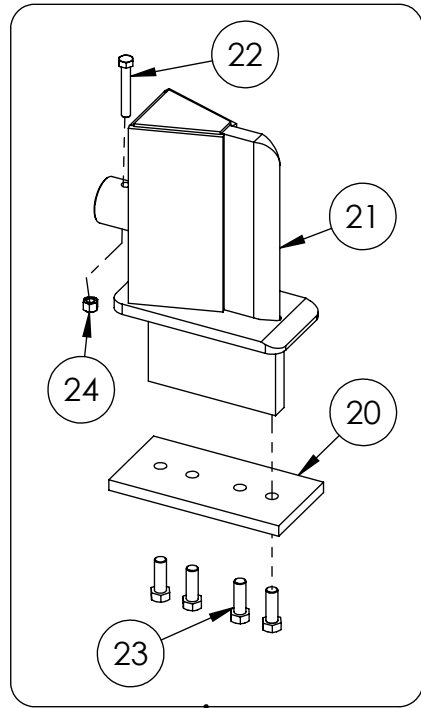
# Table of Contents

Cylinder	4
Main Parts	5
Valve and Fittings	6
Valve	7
4-Way Wedge (Optional)	9
Decal Breakdown	10



### 4" x 24" STROKE CYLINDER PARTS

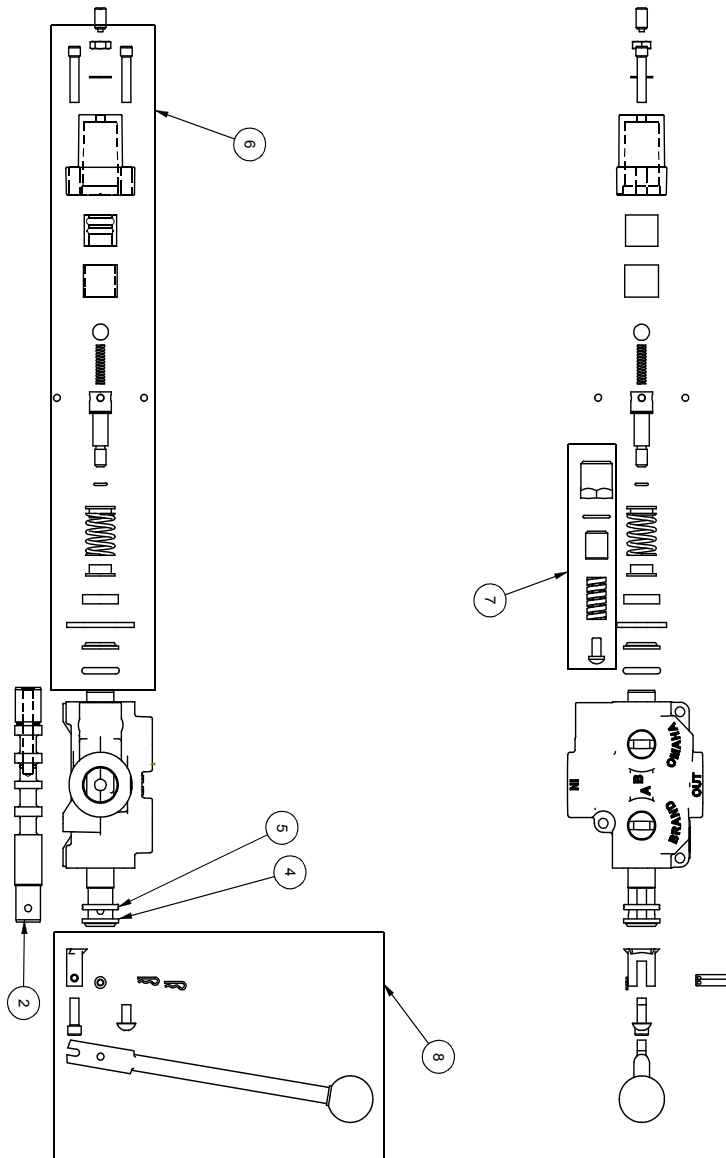
ITEM	PART NO.	Description	QTY.
1	2011C1012	Rod, 1-1/2 x 1	1
2	2011C1014	Barrel, 4"	1
3	G400-150SA	4" Bore x 1-1/2" Rod Gland	1
4	P100-400SA	4" Bore Piston	1
5	SLK-4015	Seal Kit, 4 x 1-1/2	1
6	Z72292G8	Hex Lock Nut 1NF Grade 8	1



### WX350 PARTS BREAKDOWN

ITEM	PART NO.	Description	QTY.
1	2011C101	Cylinder, 4 x 24 x 1-1/2	1
2	2014A401	Assembly, Wide Sliding Wedge	1
3	2014S421	Plate, Cylinder Retaining (Bolt)	1
4	2014W401	Weldment, WX350 Main	1
5	Z51331	Elbow 90 MP x FFX 0808	1
6	Z51926	FP08 x Pioneer Coupler	2
7	Z52301	1/2 Hose MP08 x MP08 x 16"	1
8	Z52305	1/2 Hose, MP08 x MP08 x 24"	1
9	Z52310	1/2 Hose MP08 x MP08 x 48"	2
10	Z71555	Hex Bolt 1/2NC x 5-1/2	3
11	Z72251	Hex Lock Nut 1/2NC	3
ITEM	PART NO.	Description	QTY.
20	2014S414	Plate, Sliding Wedge Capture	1
21	2014W402	Weldment, Sliding Wedge	1
22	Z71325	Hex Bolt 3/8NC x 2-1/2	1
23	Z71576	Hex Bolt 1/2NF x 1-1/2	4
24	Z72231	Hex Lock Nut 3/8NC	1

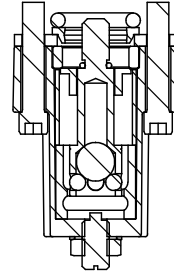
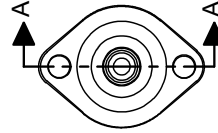
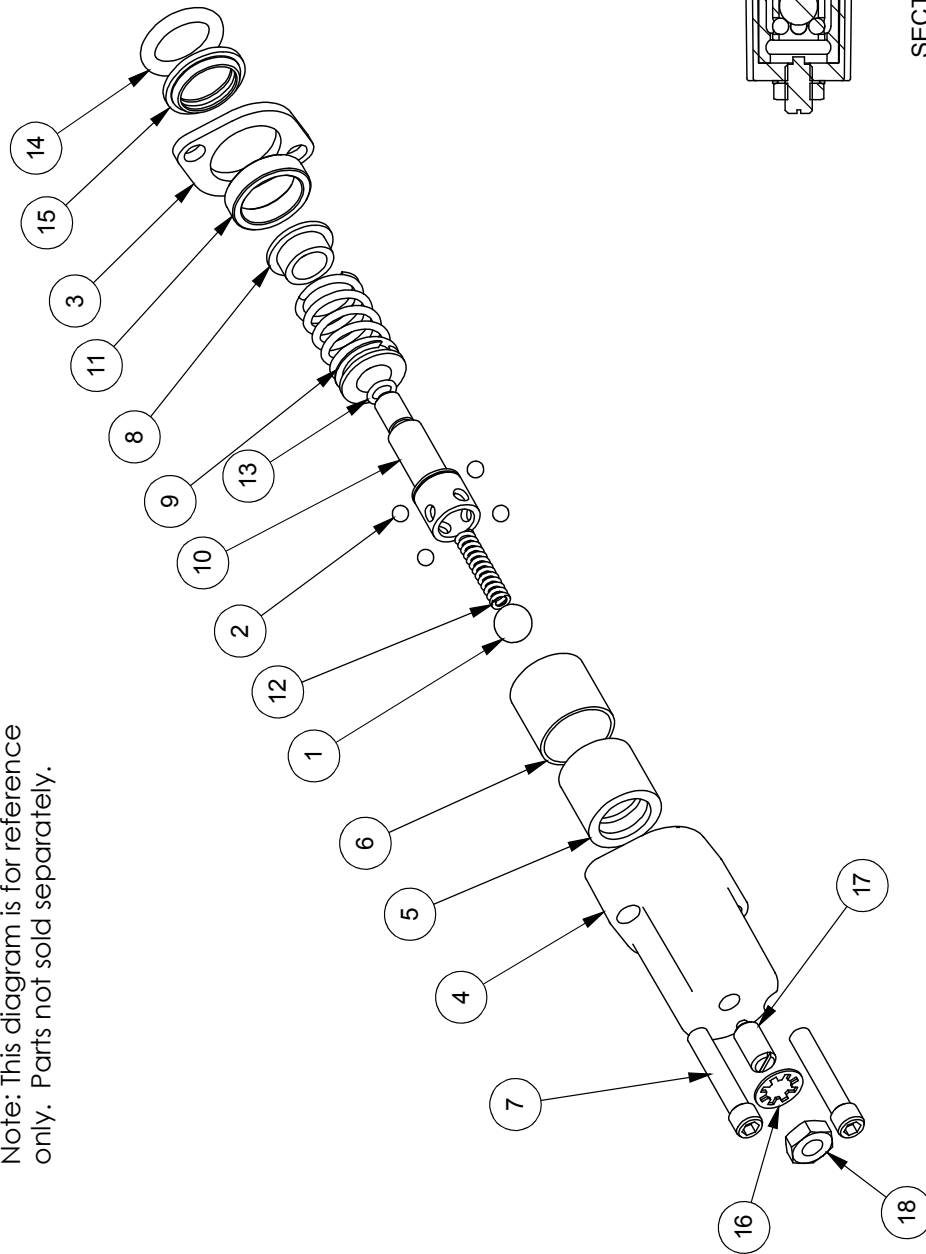
# Valve Assembly



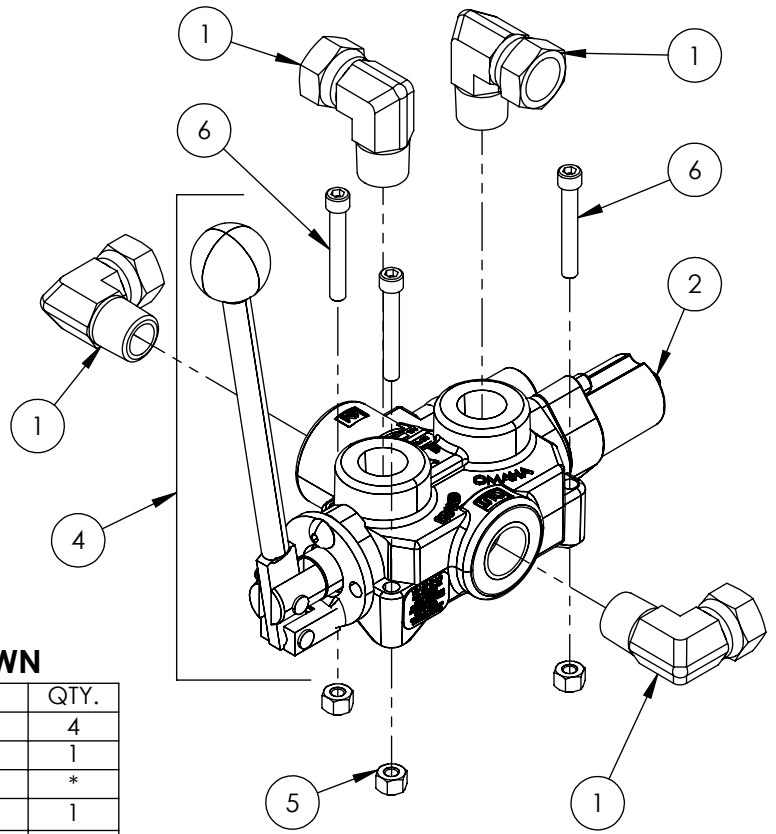
ITEM NO.	QTY.	PART NO.	DESCRIPTION
1	1	AOCASTB	AO CASTING
2	1	LS304T4J	SPOOL
3	1	P1740	NAME TAG
4	1	SF305	WIPER
5	1	SF304	QUAD RING
6	1	SUB4LS	SUB-LS
		B3057	7/16 BALL
		DC7604	3/16 BALL
		SF306	RETAINER
		SF477L	SH LS ENDCAP
		XDC672	LS SLEEVE
		SF483	SPACER
		SF486	ALLEN SCREW
		SF489	CENTER STOP
		SF490	CENTERING SPRING
		SF492	HOUSING
		SF315	SPACER
		LS305	DETENT SPRING
		DC7583	O-RING 3-902
		SF496	O-RING, BLUE, METRIC
		LS306	LS WIPER
		SF902	5/16 LOCK WASHER
		SF903	PLUNGER, SPRING
		SF904	5/16-HEX JAM NUT
		SUB-R	RELIEF
		P1603	CAP NUT
		SF322	O-RING 2-016
		SF364A	ADJ. SCREW
		B505	SPRING
		SF361A	POPET
		Z56915	HANDLE KIT
		SF377	RETAINER
		SF376	SEAL RETAINER
		SF367A	CLEVIS
		SF368	HANDLE
		SF369	PIN
		P1767	PIN CLIP
		HP5	MACH. SCREW
		SF311	KNOB
		SF308	CAP SCREW
		SF303T4J	SPOOL
		P1654	WARNING TAG

ITEM NO.	QTY.	PART NO.	DESCRIPTION
1	1	B5057	7/16 BALL
2	4	DC7604	3/16 BALL
3	1	SF306	RETAINER
4	1	SF477L	SH LS ENDCAP
5	1	SF480	SD SLEEVE
6	1	SF483	SPACER
7	2	SF486	ALLEN SCREW
8	2	SF489	CENTER STOP
9	1	SF490	CENTERING SPRING
10	1	SF492	HOUSING
11	1	SF315	SPACER
12	1	LS305	DETENT SPRING
13	1	DC7583	O-RING 3-902
14	1	SF496	METRIC O-RING
15	1	LS306	LS WIPER
16	1	SF502	5/16 LOCK WASHER
17	1	SF503	SPRING PLUNGER
18	1	SF504	5/16 HEX JAM NUT

Note: This diagram is for reference only. Parts not sold separately.



SECTION A-A

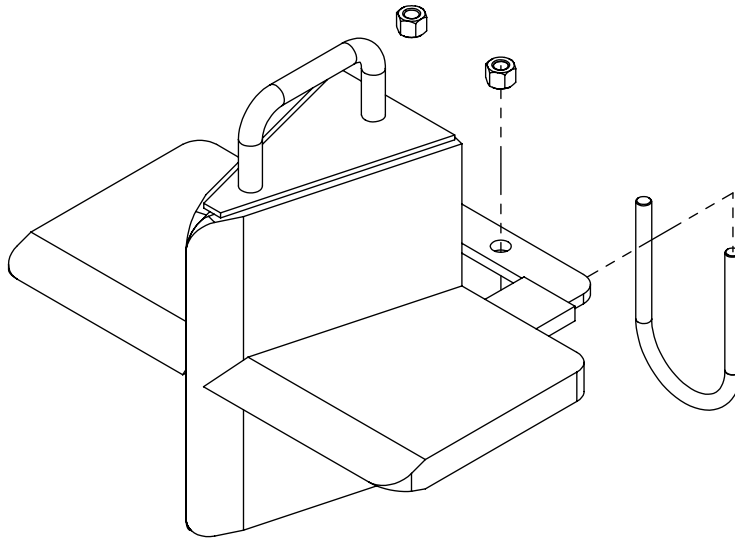


**VALVE AND FITTINGS PARTS BREAKDOWN**

ITEM	PART NO.	Description	QTY.
1	Z51331	Elbow 90 MP x FPX 0808	4
2	Z56209	Valve, Single Function Detent	1
3	*Z56210*	Valve, Closed Center	*
4	Z56915	Complete Handle Kit for Z56209	1
5	Z72111	Hex Lock Nut 1/4NC	3
6	Z75114	SHCS, 1/4NC x 1-3/4	3

\*CLOSED CENTER VALVE REQUIRED FOR "C" MODELS.\*



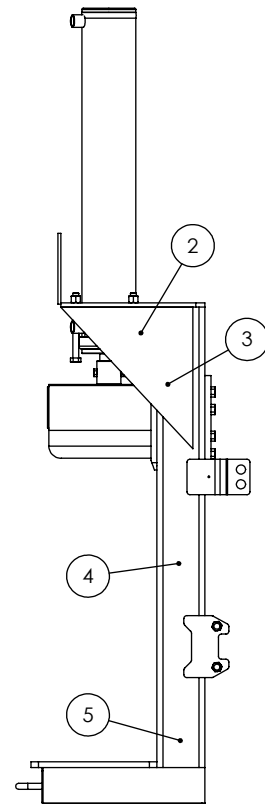
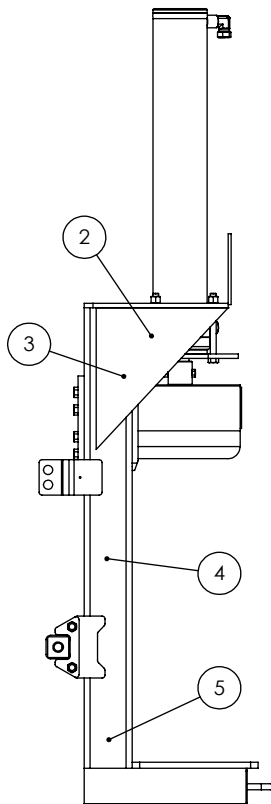
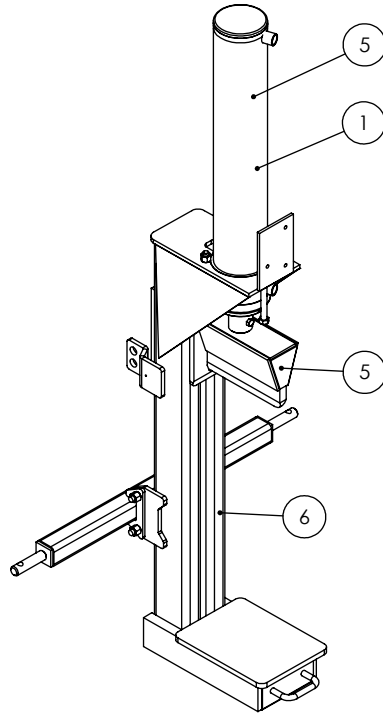


### W4120 4-Way Wedge (Optional)

ITEM	PART NO.	DESCRIPTION	QTY
1	2082W201	Weldment, Main W4120	1
2	2082S201	Safety U-bolt	1
3	Z72231	Hex Lock Nut 3/8NC	2

### WX350 DECAL BREAKDOWN

ITEM	PART NO.	DESCRIPTION	QTY
1	Z94039	CAUTION - Read Manual	1
2	Z94040	WARNING - Moving Wedge	2
3	Z94067	Clear Guide	2
4	Z94056	Wallenstein	2
5	Z94019	Made in Canada	4
6	Z94066	Apply Oil or Grease	1



## 3PH Splitter Decals

Z94056



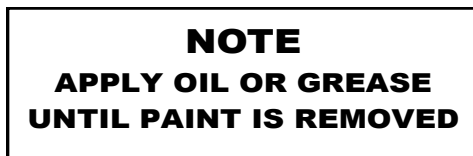
Z94067



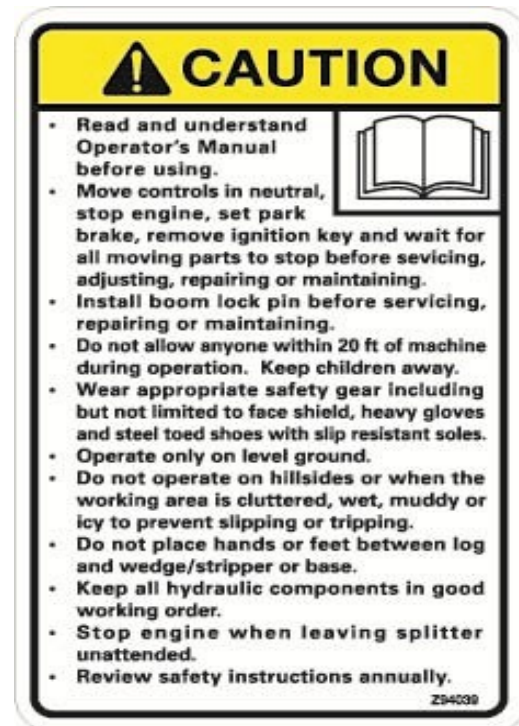
Z94019



Z94066



Z94039



Z94040





**WALLENSTEIN Products Manufactured by:**

**EMB MFG Inc.**

4144 Boomer Line  
St. Clements, Ontario  
Canada N0B 2M0  
Phone: 1-877-695-9283  
Fax: 519-699-4146  
[www.embmfg.com](http://www.embmfg.com)