

Wallenstein Equipment Inc.

7201 Line 86, Wallenstein ON, Canada • N0B 2S0
Ph: (519) 699-9283 • Fax: (519) 699-4146
wallensteinequipment.com

Accessory Assembly Instructions 4-Way Splitting Wedge

This Instruction applies to 4 Way Splitter Kits: **W4110, W4120, W4130, W4140**
After October 25, 2013



This Safety Alert symbol means

ATTENTION! BECOME ALERT! YOUR SAFETY IS INVOLVED!

The Safety Alert symbol identifies important safety messages in this instruction, as well as on the Woodsplitter and in the operators manual. When you see this symbol, be alert to the possibility of personal injury or death. Follow the instructions in the safety message.



When operating your splitter always grasp the log by the sides when placing in the splitter. This will minimize the chance of the operator getting their fingers or arm between the wedge and the log.



Always wear the appropriate safety gear when installing this kit or working around the machine. This includes but is not limited to:

- Hard hat for protection to the head.
- Face mask for protection to the face and eyes from flying chips.
- Heavy gloves for protection from slivers, chips and pinching.
- Safety shoes with slip resistant soles and steel toes for protection from dropped logs and pieces of wood.

Four Way Splitting Wedge Installation:

Slip on style for stationary wedge splitters

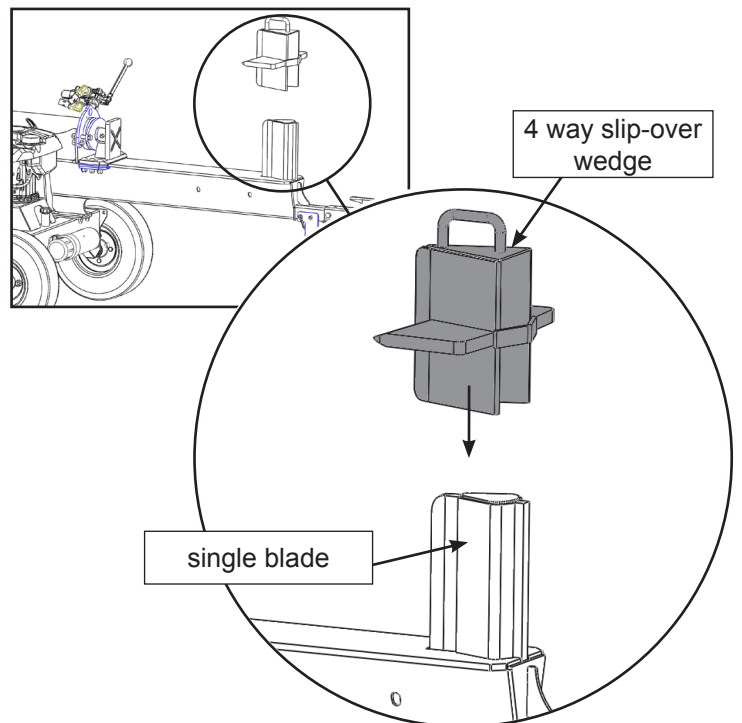
Kit # W4110: fits wood splitter models: WE220, WX310, WX520, WX515, WX520, WX520T, SE50, 26L, 26LGC.

Kit # W4140: fits wood splitter models: WX615, WX620, WX620T, WX910, WX910T.



Caution: wedges are constructed of heavy gauge steel, be sure to use the handle provided to move and install the wedge, use caution and avoid dropping or pinching body parts on corners and sharp edges with the wedge

- Ensure the single wedge and the area around the wedge is clean and free of debris.
- Carefully place the 4 way wedge over the single wedge.
- Your 4 way wedge is ready to use



Four Way Splitting Wedge Installation:

Keeper style for moving wedge splitters (After Jan 2013)

Caution: handle with care, avoid dropping or pinching body parts

Kit # W4120: fits wood splitter models: WE230, WX350, WX370, WX440, WX470, WX530, WX540, SE60, 26HVGC, 26HV.

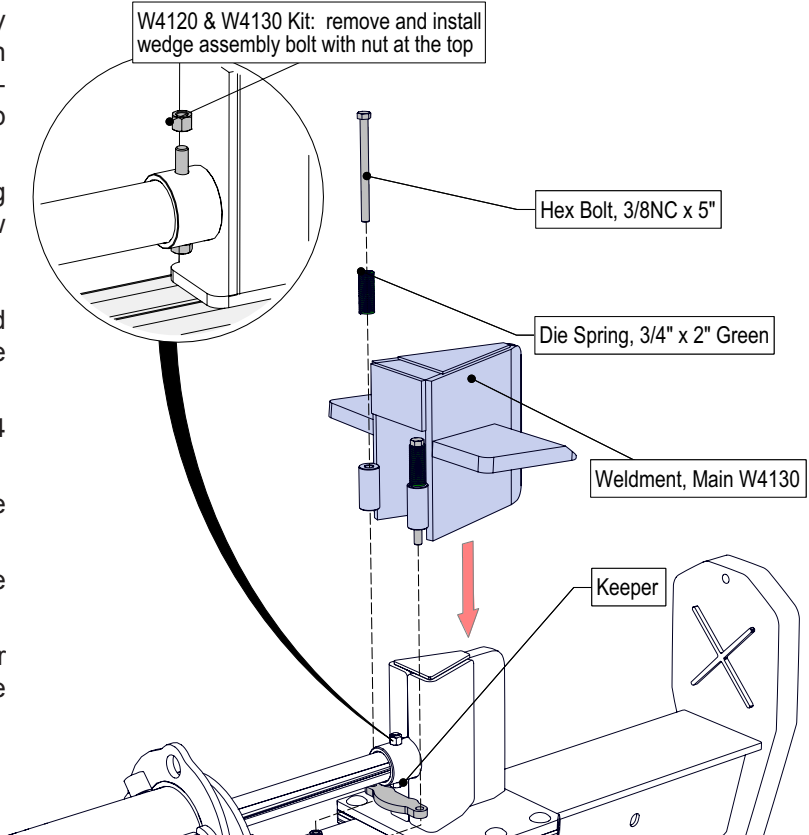
Kit # W4130: fits wood splitter models: WX320, WX330, WX360, WX450, WX460, WX630, WX640, WX920, WX930, WX950, WX960, WX970, WX980, 26HV, 27HV, 28HVGC.

Illustration shows #W4130 kit, part appearance is different for #W4120 kit but installation is similar.

Caution: wedges are constructed of heavy gauge steel, be sure to handle with care and caution while moving and installing the wedge. Avoid dropping or pinching body parts on corners and sharp edges with the wedge.

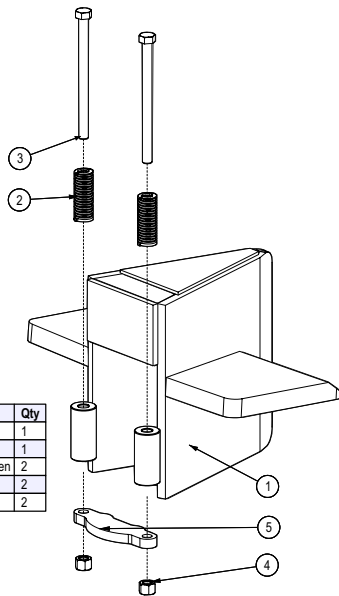
Ensure the machine is off and stable before installing the wedge. Unpack the kit, using the parts list below check that all parts are included.

- Ensure the single wedge and the area around the wedge is clean and free of debris, extend the ram to make installation easier.
- Remove the keeper and locknuts from the 4 way wedge.
- Carefully place the 4 way wedge over the single wedge.
- Mount the safety keeper bracket around the cylinder ram.
- Hand tighten locknuts, then with a wrench or socket, turn in the locknuts until the end of the bolt is even with the edge of the lock nut.
- Your 4 way wedge is ready to use.



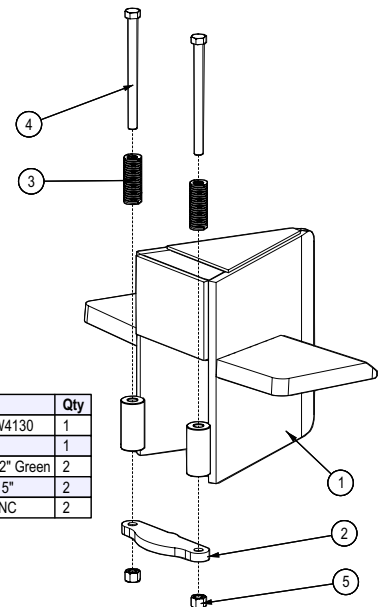
W4120 Kit Parts

BOM ID	Description	Description	Qty
5	2082L202	Keeper	1
1	2082W204	Weldment, Main W4120	1
2	Z32602	Die Spring, 3/4" x 2" Green	2
3	Z71350	Hex Bolt, 3/8NC x 5"	2
4	Z72231	Hex Lock Nut, 3/8NC	2



W4130 Kit Parts

BOM ID	Description	Description	Qty
1	2082W304	Weldment, Main W4130	1
2	2082L306	Keeper, W4130	1
3	Z32602	Die Spring, 3/4" x 2" Green	2
4	Z71350	Hex Bolt, 3/8NC x 5"	2
5	Z72231	Hex Lock Nut, 3/8NC	2



For replacement parts please call your dealer to order.