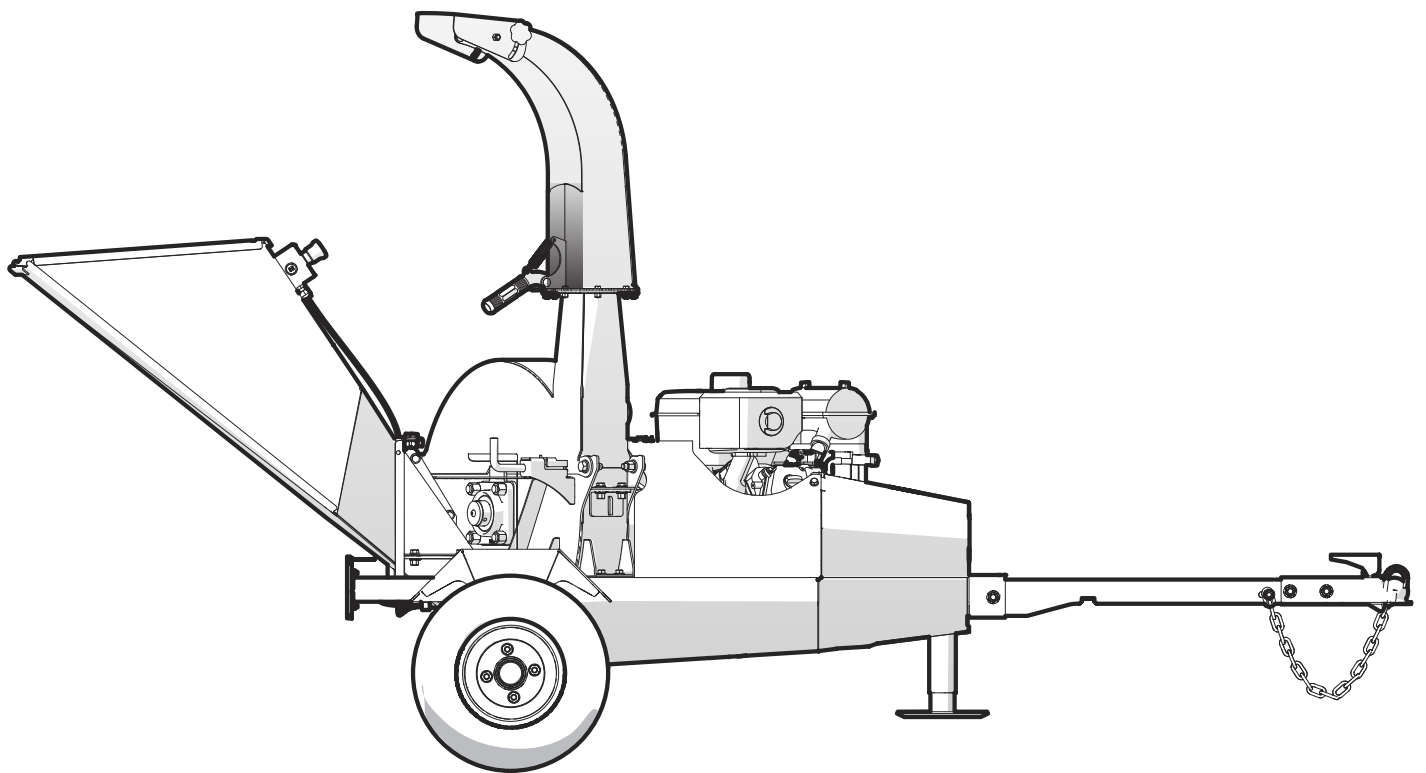


PARTS MANUAL

Serial Number 1101388 & up

BXT36S **Trailer Wood Chipper**



Foreword

This Wallenstein parts manual is prepared to assist customers in ordering quality OEM replacement parts.

Regular maintenance combined with replacing old, worn or broken parts with the correct OEM parts is essential in prolonging the life of your Wallenstein product. Refer to this manual to identify replacement parts.

To order parts, contact your Wallenstein dealer or distributor. Have the product model and serial number handy.

If your dealer is no longer available, please go to WallensteinEquipment.com. At the bottom of the page, select Dealer Locator.

All information contained in this parts manual is current as per the revision date at the bottom of the page. Wallenstein reserves the right to change product specifications at any time without notice.

If your product specifications differ from those contained in this manual, contact Wallenstein for current information.

Reproduction of information in this parts manual is prohibited without prior written permission from Wallenstein Equipment Inc.

Wallenstein Equipment Inc. • © 2023

WARNING!

For safety, operation, and maintenance information, see the Operator's Manual.

Maintenance should be performed by trained personnel only.

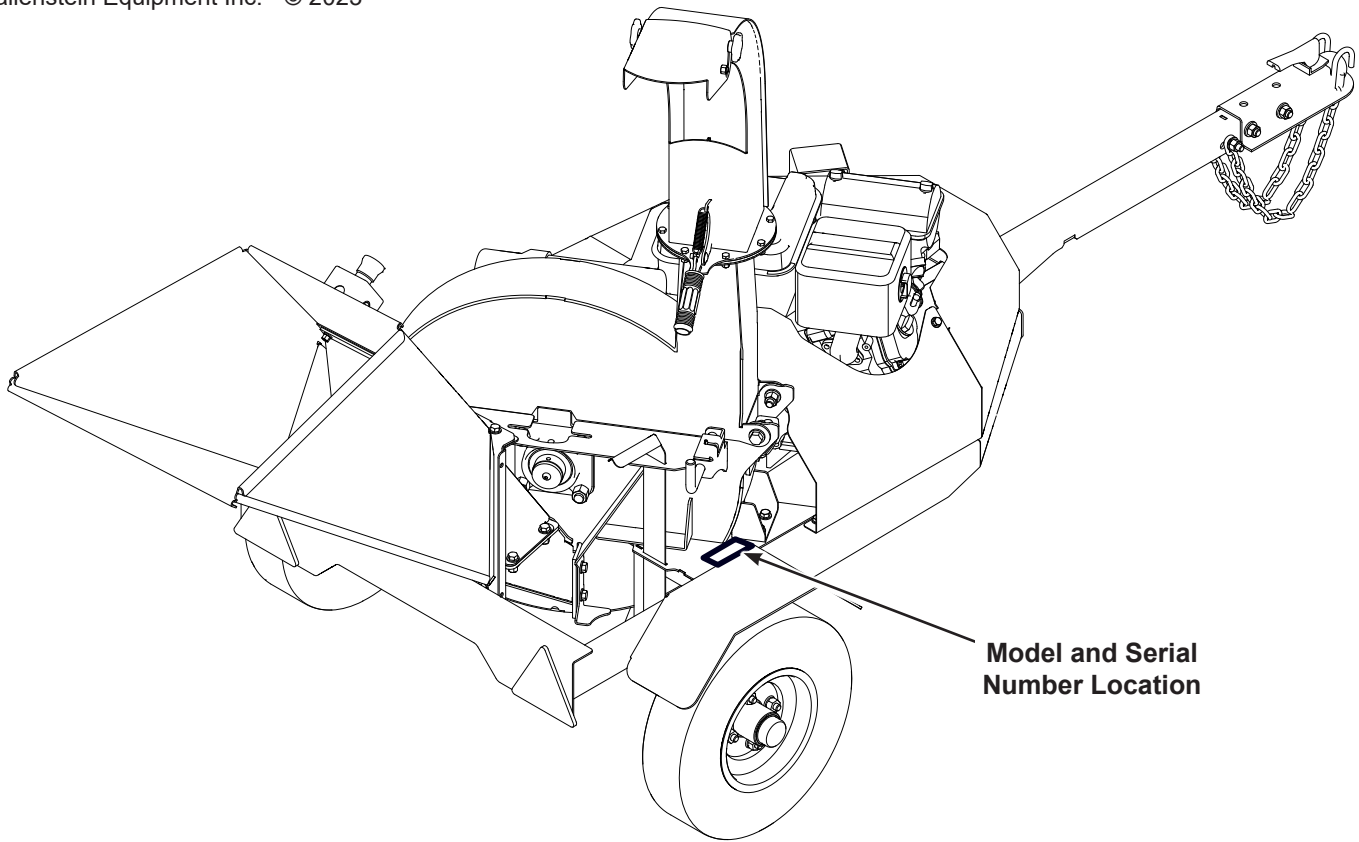
Serial Number Location

Always provide the model and serial number of your Wallenstein product when ordering parts or requesting service or other information. The serial number is on the product information plate as shown below.

Record your product information here for future reference.

Model _____

Serial Number _____

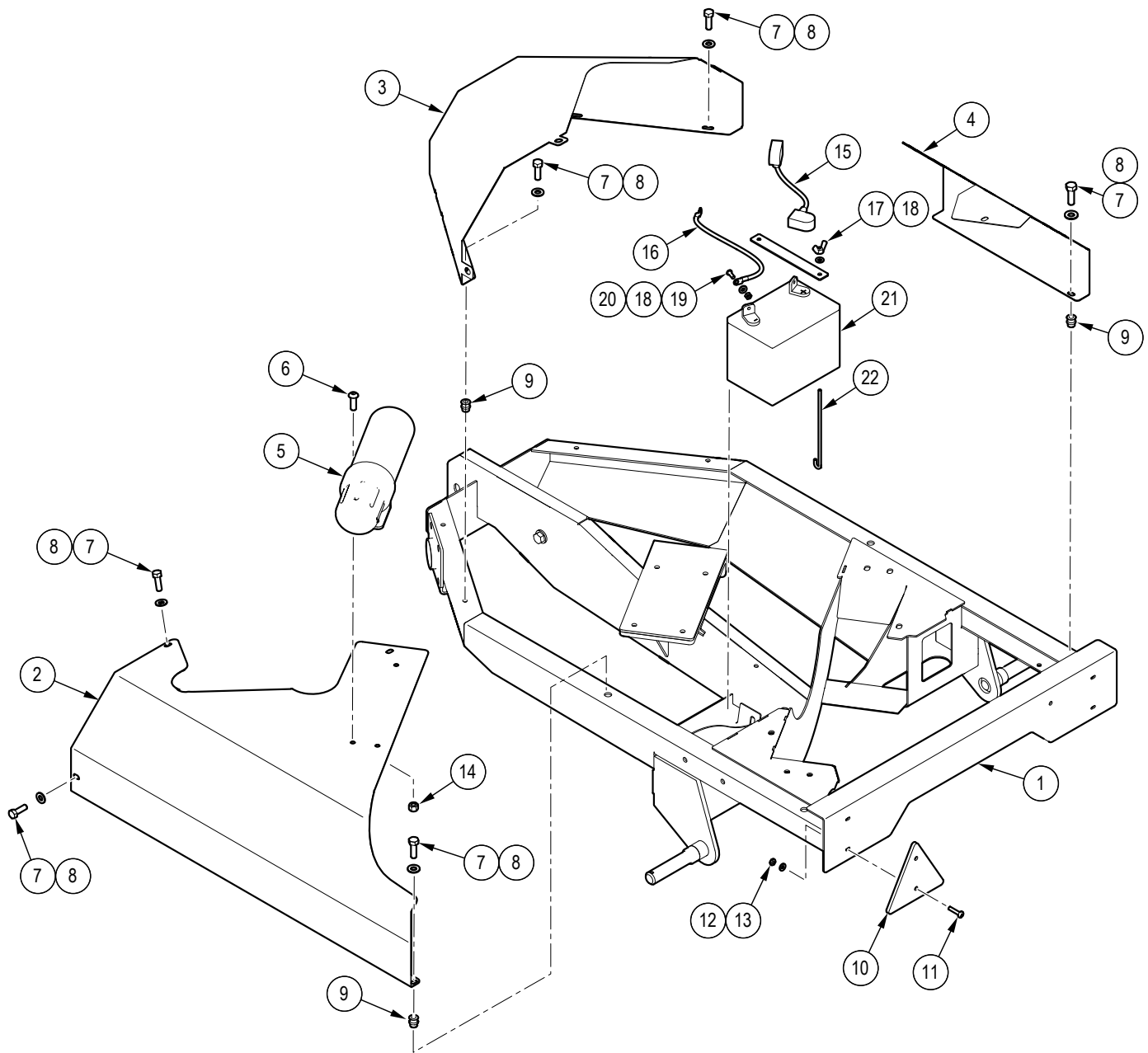


Model and Serial Number Location

Contents

Main Frame and Guards	4
Blower Assembly	5
Discharge Chute Assembly.....	6
Engine and Driveline	7
Rotor	8
Self-Feed Hopper	9
Hitch and Jack Assembly.....	10
Wheel and Idler Hub	11
Harness.....	12
Decal Layout.....	13
Decal Layout.....	14
Bolt Torque Specifications.....	16
Lug Nut Torque Specifications	17

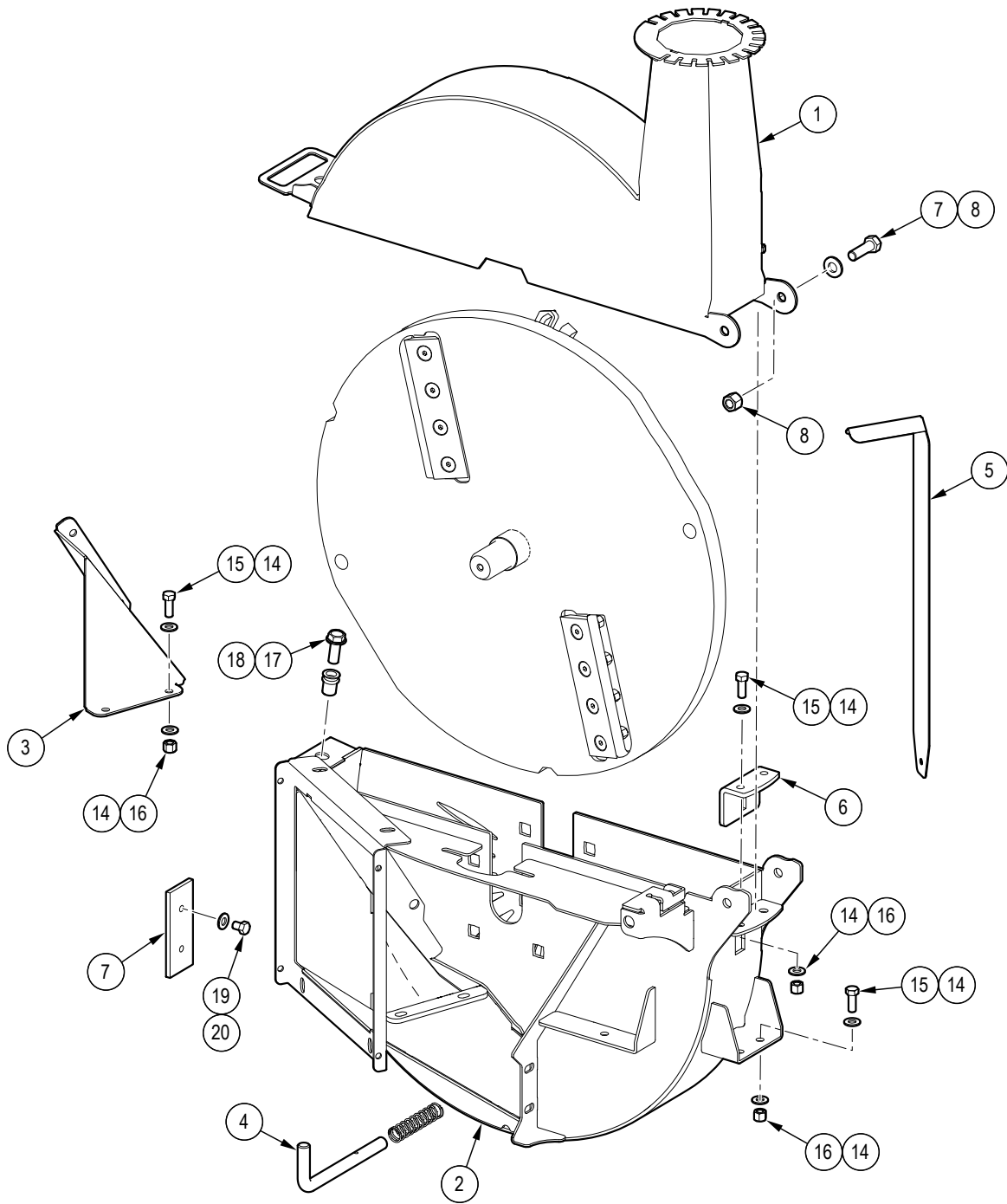
Main Frame and Guards



Item	Part No.	Description	Qty
1	1066W501	Main Frame	1
2	1066L659	Side Cover LH	1
3	1066L515	Upper Hood, Weldment	1
4	1066L569	Side Cover RH	1
5	Z96503	Manual Tube, 3-1/2" Short	1
6	Z78301	BHCS, 1/4NC x 3/4", Hex Drive	3
7	Z71210	Hex Bolt, 5/16NC x 1"	12
8	Z73122G8	SAE Washer, 5/16" Grade 8	12
9	Z72957	Rivet Nut, 5/16NC x 312	6
10	Z61208	CE Reflector, Triangle x Red	2
11	Z78310	Machine Screw, #8NC x 3/4"	4
12	Z73102	SAE Washer, #8	4

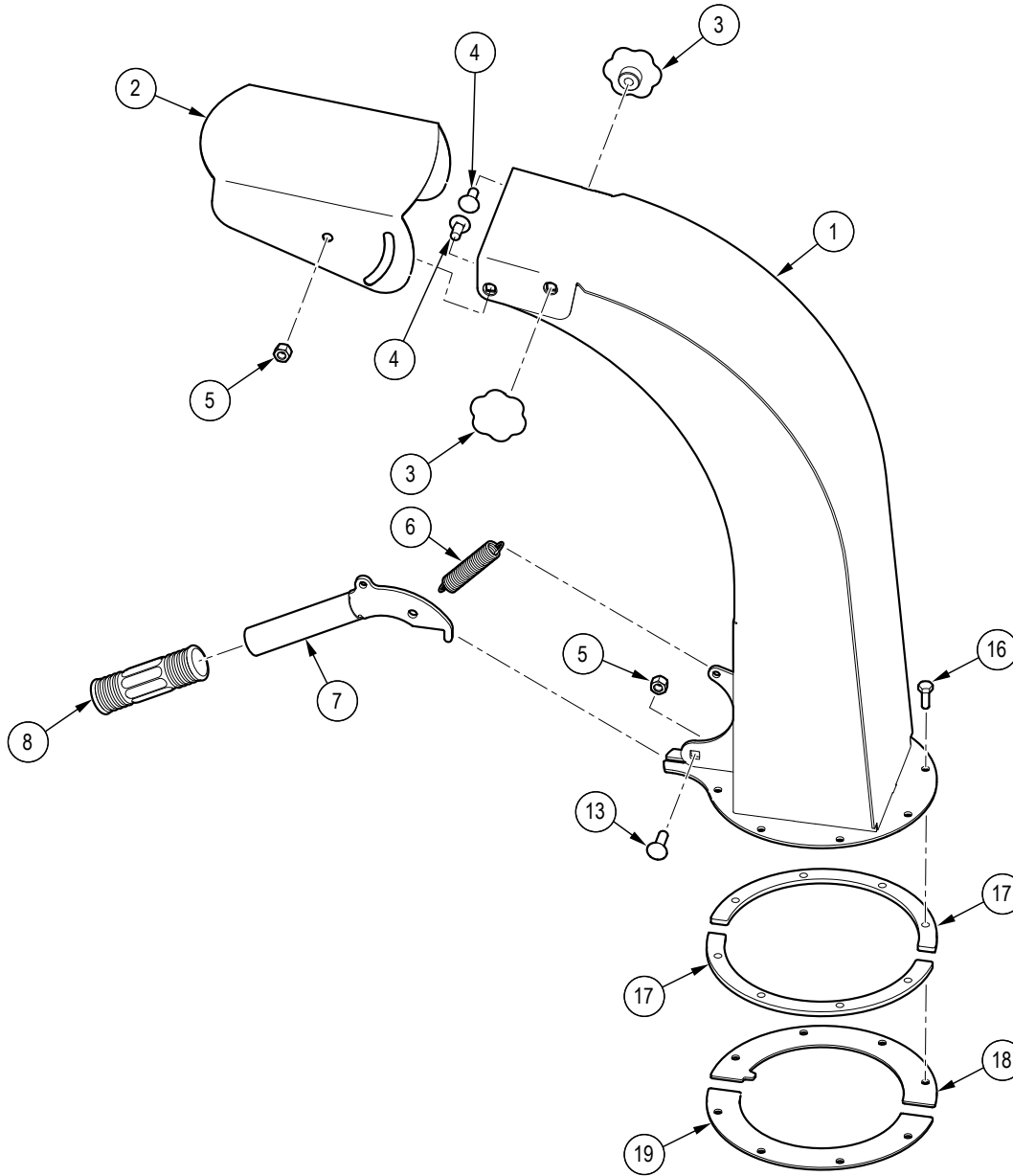
Item	Part No.	Description	Qty
13	Z72741	Machine Nut, #8NC	4
14	Z72211	Hex Lock Nut, 1/4NC	4
15	1066F509	Positive Battery Cable	1
16	1066F510	Negative Battery Cable	1
17	Z72921	Wing Nut, 1/4NC	2
18	Z73111G8	SAE Washer, 1/4" Grade 8	2
19	Z78301	BHCS, 1/4NC x 3/4", Hex Drive	2
20	Z72111	Hex Nut, 1/4NC	2
21	Z93204	Battery, 325CCA	1
22	Z93202	J-Hook, 1/4" x 7"	2

Blower Assembly



Item	Part No.	Description	Qty
1	1066W525	Weldment, Upper Rotor Housing	1
2	1066W510	Lower Rotor Housing, Weldment	1
3	1066L611	Service Hole Cover	1
4	1026M102	L Handled Plunger, Compact	1
5	1012L269	Gauge, Ledger Setting	1
6	1066W516	Twig Breaker, Single Tooth	1
7	Z71516	Hex Bolt, 1/2NC x 1-5/8"	2
8	Z72257	Hex Flange Lock Nut, 1/2NC	2
13	Z72251	Hex Lock Nut, 1/2NC	2
14	Z73131G8	SAE Washer, 3/8" Grade 8	11
15	Z71310	Hex Bolt, 3/8NC x 1"	7
16	Z72231	Hex Lock Nut, 3/8NC	7
17	Z76152	Flange Bolt, 1/2NC x 1-1/4"	1
18	Z72960	Rivet Nut, 1/2NC x 200	1
19	Z71376G8	Hex Bolt, 3/8NF x 1/2" G8	2
20	Z73131	SAE Washer, 3/8"	2
21	Z32305	Comp Spring	1

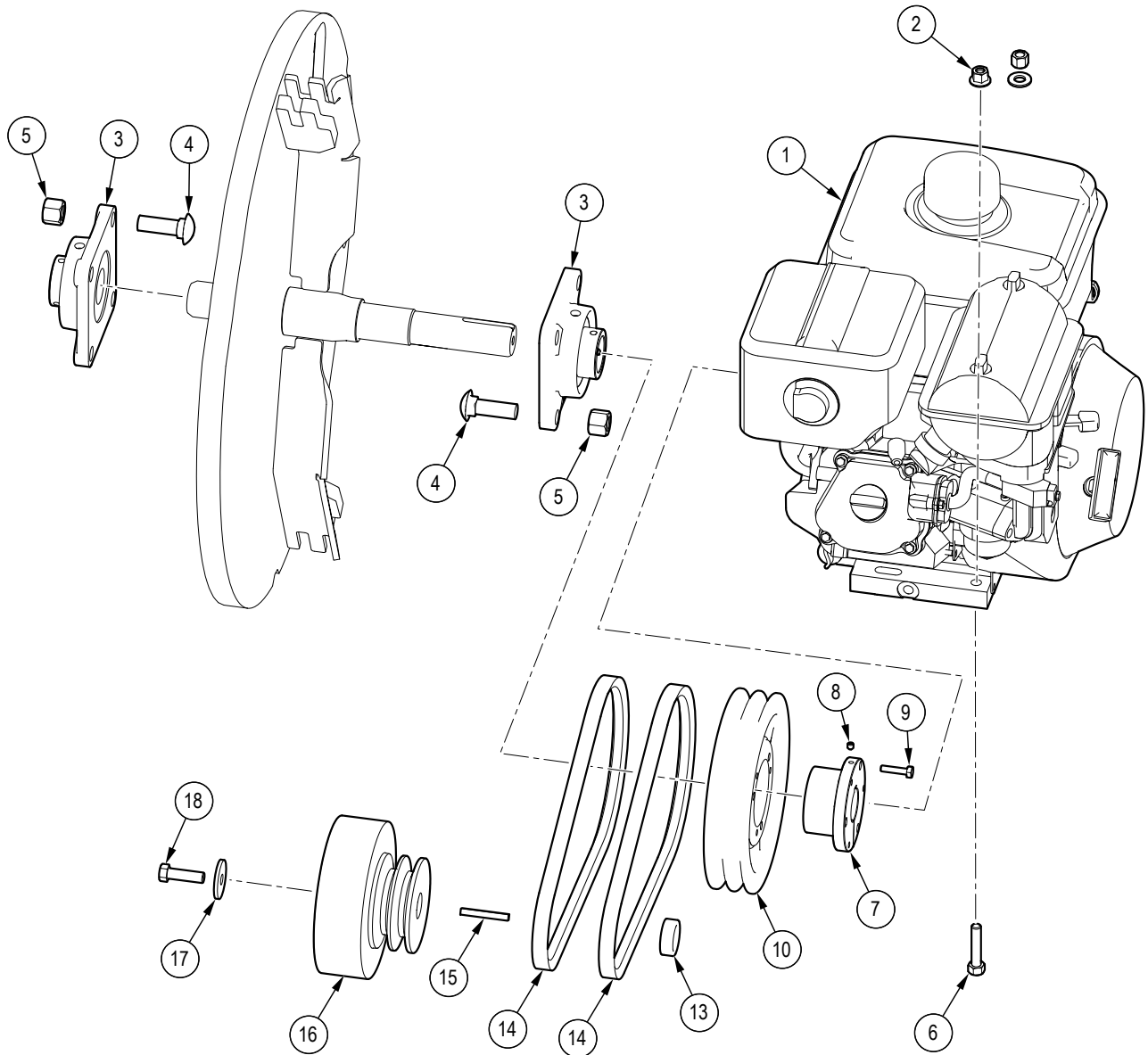
Discharge Chute Assembly



Item	Part No.	Description	Qty
1	1026W106	Weldment, Discharge Chute	1
2	1026L169	Deflector, 3-1/2" Discharge Chute	1
3	Z19313	Hand Knob, 5/16NC Female Stud	2
4	Z76221	Carriage Bolt, 5/16NC x 3/4"	4
5	Z72227	Hex Flange Lock Nut, 5/16NC	3
6	Z31305	Ext Spring, 5/8" OD x 3" x 0.08"	1
7	1026W108	Weldment, Discharge Latch	1
8	Z19321	Handle Grip, 1"	1

Item	Part No.	Description	Qty
13	Z76225	Carriage Bolt, 5/16NC x 1"	1
16	Z71107	Hex Bolt, 1/4NC x 3/4"	8
17	1026L134	Spacer Ring	2
18	1066L667	Hood Capture Ring	1
19	1066L668	Hood Capture Ring	1

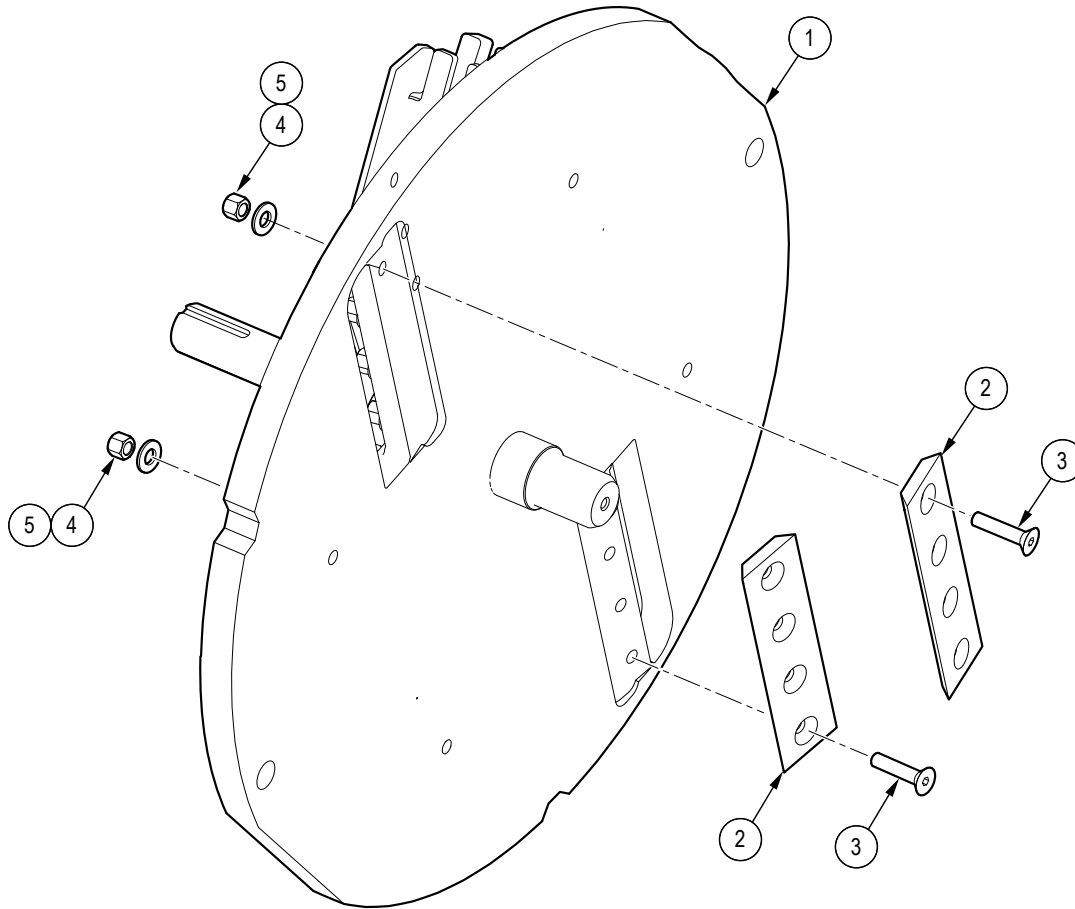
Engine and Driveline



Item	Part No.	Description	Qty
1	Z47754	Vanguard 14hp (408cc) E-Start	1
2	Z72231	Hex Lock Nut, 3/8NC	4
3	Z25204	4-Bolt Flange Bearing, UCF208-24	2
4	Z76261G8	Carriage Bolt, 5/8NC x 2" G8	8
5	Z72261G8	Hex Lock Nut, 5/8NC G8	8
6	Z71322	Hex Bolt, 3/8NC x 2-1/4"	4
7	Z41501	Hub, SK x 1-3/8"	1
8	Z74111	Set Screw, 1/4NC x 1/4"	1
9	Z71111	Hex Bolt, 1/4NC x 1-1/8"	3
10	Z41709	Double Sheave, 2B80 x SK	1

Item	Part No.	Description	Qty
13	1066M522	Spacer Ring	1
14	Z41172	Single Belt, BX35	2
15	Z46531	Key, 1/4" x 1/4" x 2"	1
16	Z41901	Centrifugal Clutch, 2B36 x 1"	1
17	1056L665	Clutch Washer	1
18	Z71472	Hex Bolt, 7/16NF x 1-1/2"	1
19	Z73131G8	SAE Washer, 3/8" Grade 8	8

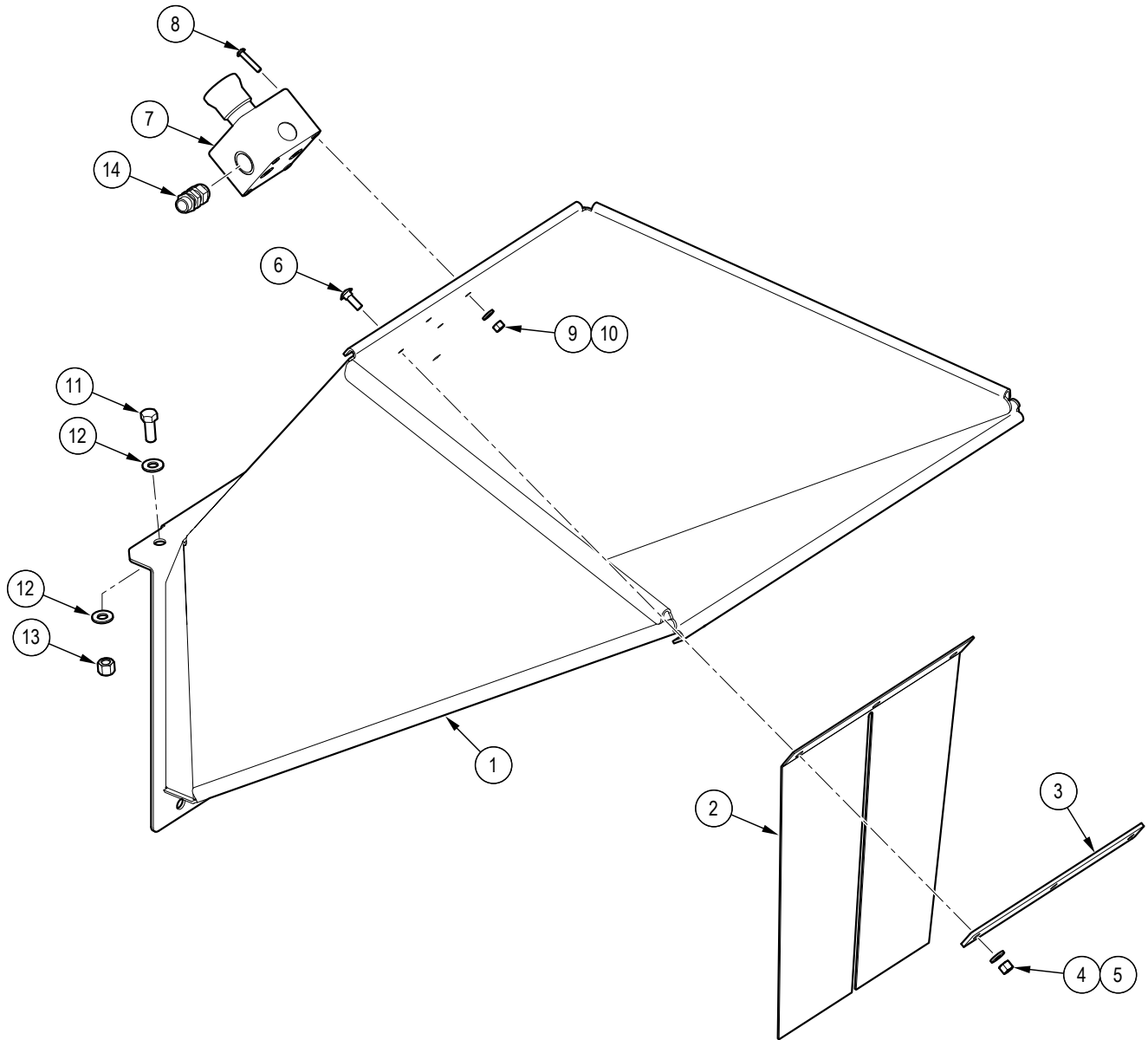
Rotor



Item	Part No.	Description	Qty
1	1066W527	Rotor, 3" Capacity, Blower Paddle	1
2	1065M010	Rotor Knife, 7 1/2" x 3/8"	2

Item	Part No.	Description	Qty
3	Z75232G8	FHCS, 3/8NF x 1-3/4" G8	8
4	Z72232G8	Hex Lock Nut, 3/8NF G8	8
5	Z73131G8	SAE Washer, 3/8" Grade 8	8

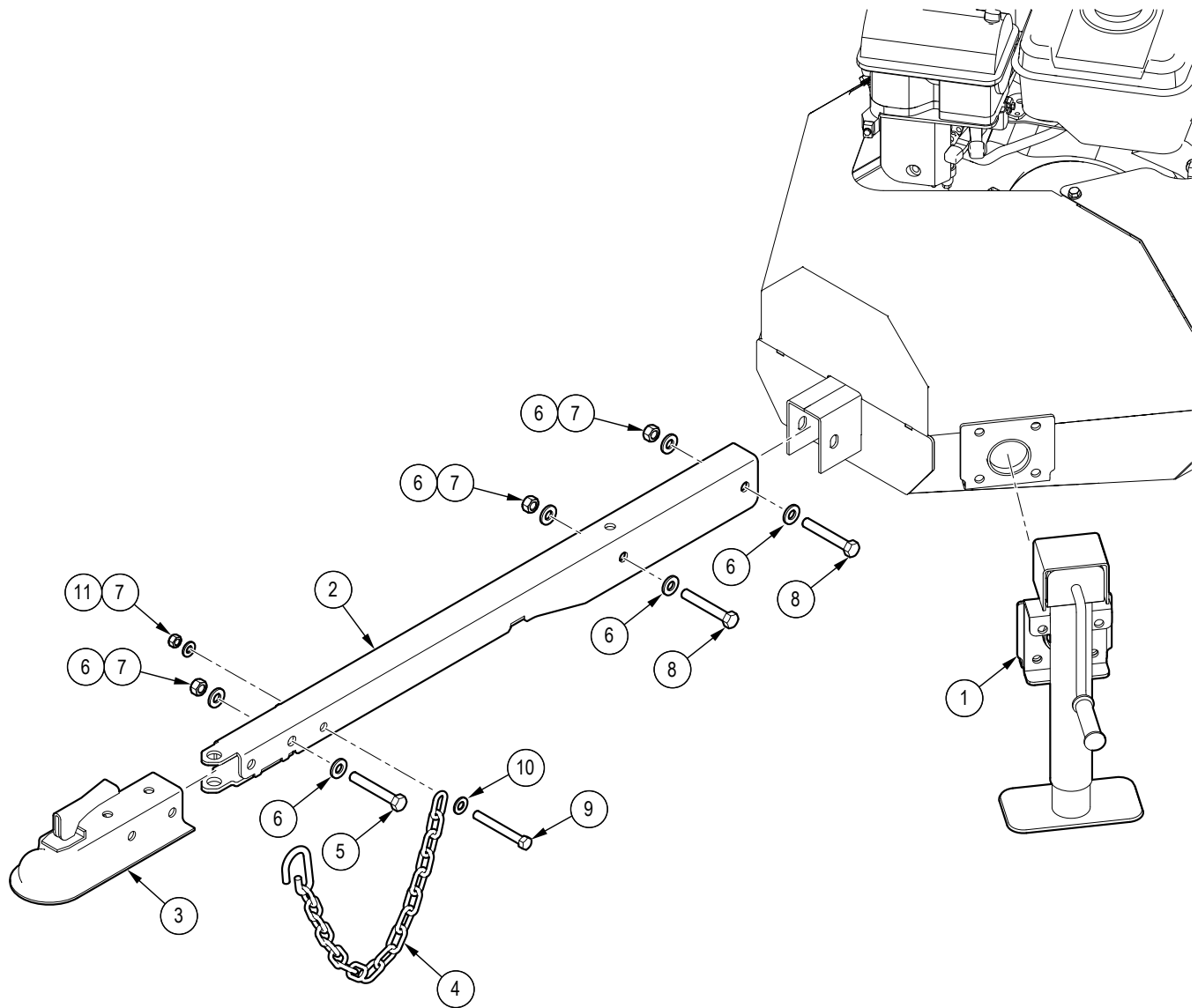
Self-Feed Hopper



Item	Part No.	Description	Qty
1	1066W509	Hopper, Weldment, BXT36S	1
2	1056S604	Flap, Hopper	2
3	1018L994	Chipper Chute Flap Clamp	1
4	Z72211	Hex Lock Nut, 1/4NC	3
5	Z73111G8	SAE Washer, 1/4" Grade 8	3
6	Z76211	Carriage Bolt, 1/4NC x 3/4"	3
7	Z66114	E-Stop Button, N/O Contact	1

Item	Part No.	Description	Qty
8	Z75107	SHCS, #8NC x 5/8"	4
9	Z72202	Hex Lock Nut, #8NC	4
10	Z73102	SAE Washer, #8	4
11	Z71310	Hex Bolt, 3/8NC x 1"	4
12	Z73131G8	SAE Washer, 3/8" Grade 8	8
13	Z72231	Hex Lock Nut, 3/8NC	4
14	Z62820	Straight Fitting, 3/8" Wire	1

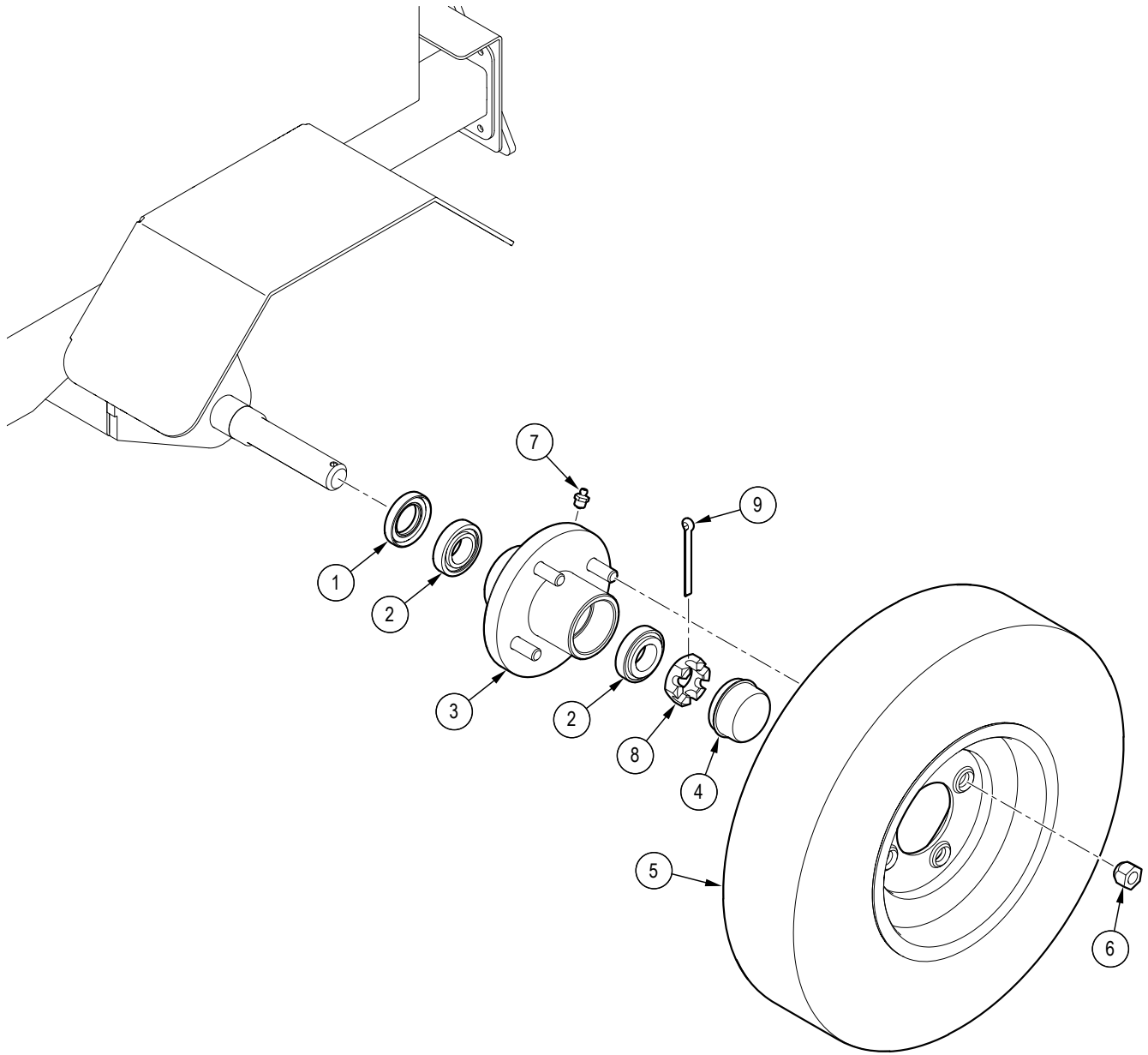
Hitch and Jack Assembly



Item	Part No.	Description	Qty
1	Z91516	Trailer Jack, Side Wind x 2000lbs	1
2	1066W505	Weldment, Tongue	1
3	Z91614	Hitch Coupler, 2" Ball x 3500lbs	1
4	Z92303	Safety Chain, 1/4" Gr43 x 2ft	2
5	Z71532	Hex Bolt, 1/2NC x 3-1/4"	2

Item	Part No.	Description	Qty
6	Z73151G8	SAE Washer, 1/2" Grade 8	4
7	Z72151	Hex Nut, 1/2NC	2
8	Z71535	Hex Bolt, 1/2NC x 3-1/2"	2
9	Z71435	Hex Bolt, 7/16NC x 3-1/2"	1
10	Z73142	SAE Washer, 7/16"	2
11	Z72241	Hex Lock Nut, 7/16NC	1

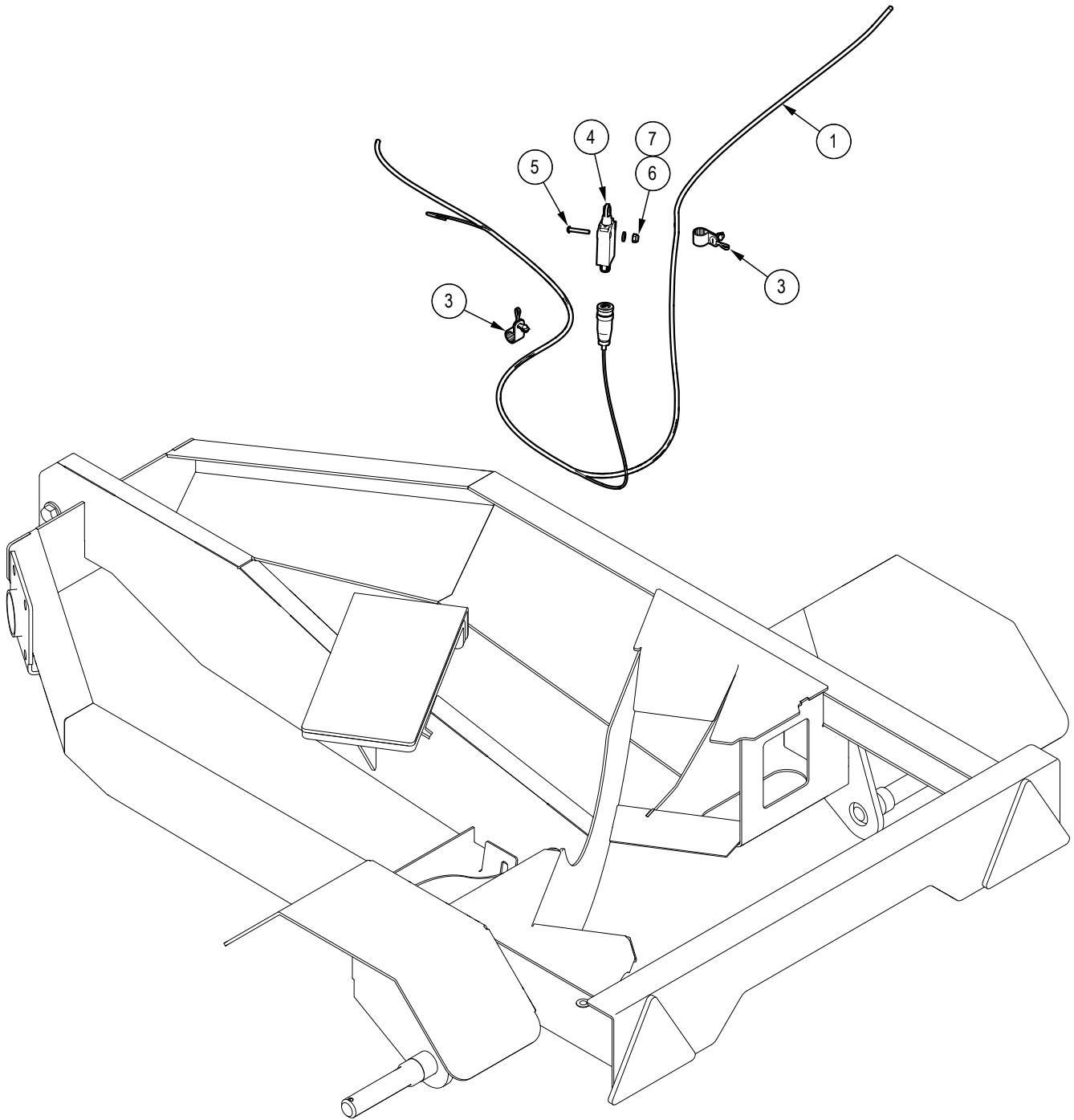
Wheel and Idler Hub



Item	Part No.	Description	Qty
1	Z28301	Double Lip Seal, 1-1/4"	2
2	Z23201	Roller Bearing	4
3	Z91201	Hub, 1000lbs x 4on4	2
4	Z91801	Dust Cap, 1.98 Bore	2
5	Z91301	4.80-8 LRB SportTrail 4on4"	2

Item	Part No.	Description	Qty
6	Z72931	Lug Nut, 1/2NF	8
7	Z29201	Grease Fitting, MP02	2
8	Z72691	Castle Nut, 1NF x 9/16" Thick	2
9	Z12331	Cotter Pin, 1/4" x 2-1/2"	2

Harness



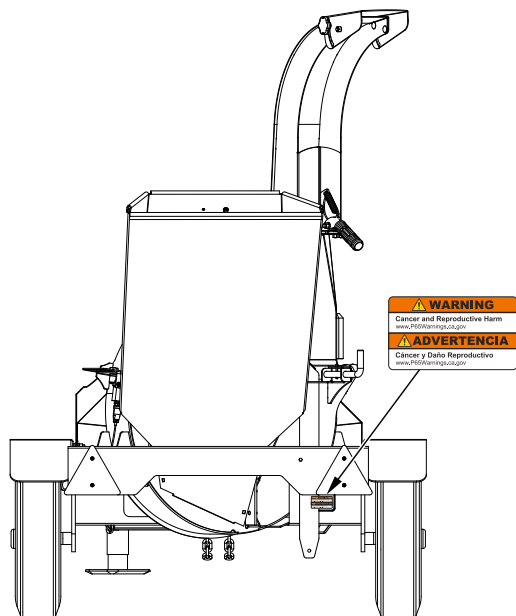
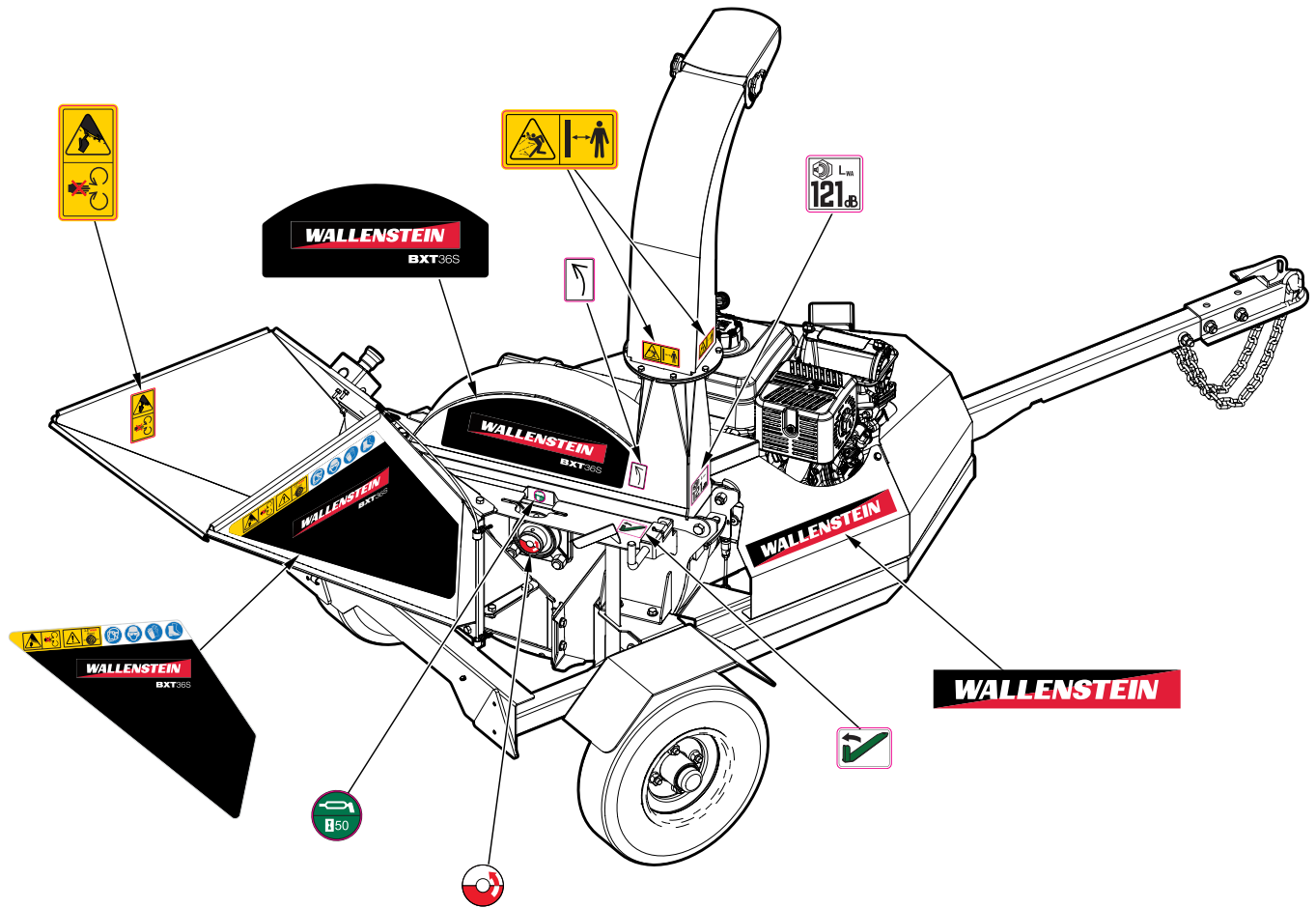
Item	Part No.	Description	Qty
1	1066F507	Harness, Engine Safety	1
3	Z62831	Cable Clamp, P-Type Push In 3/8"	1
4	Z66115	Limit Switch, Roller Tip x M12	1

Item	Part No.	Description	Qty
5	Z75325	BHCS, #8NC x 1"	2
6	Z72202	Hex Lock Nut, #8NC	2
7	Z73102	SAE Washer, #8	2

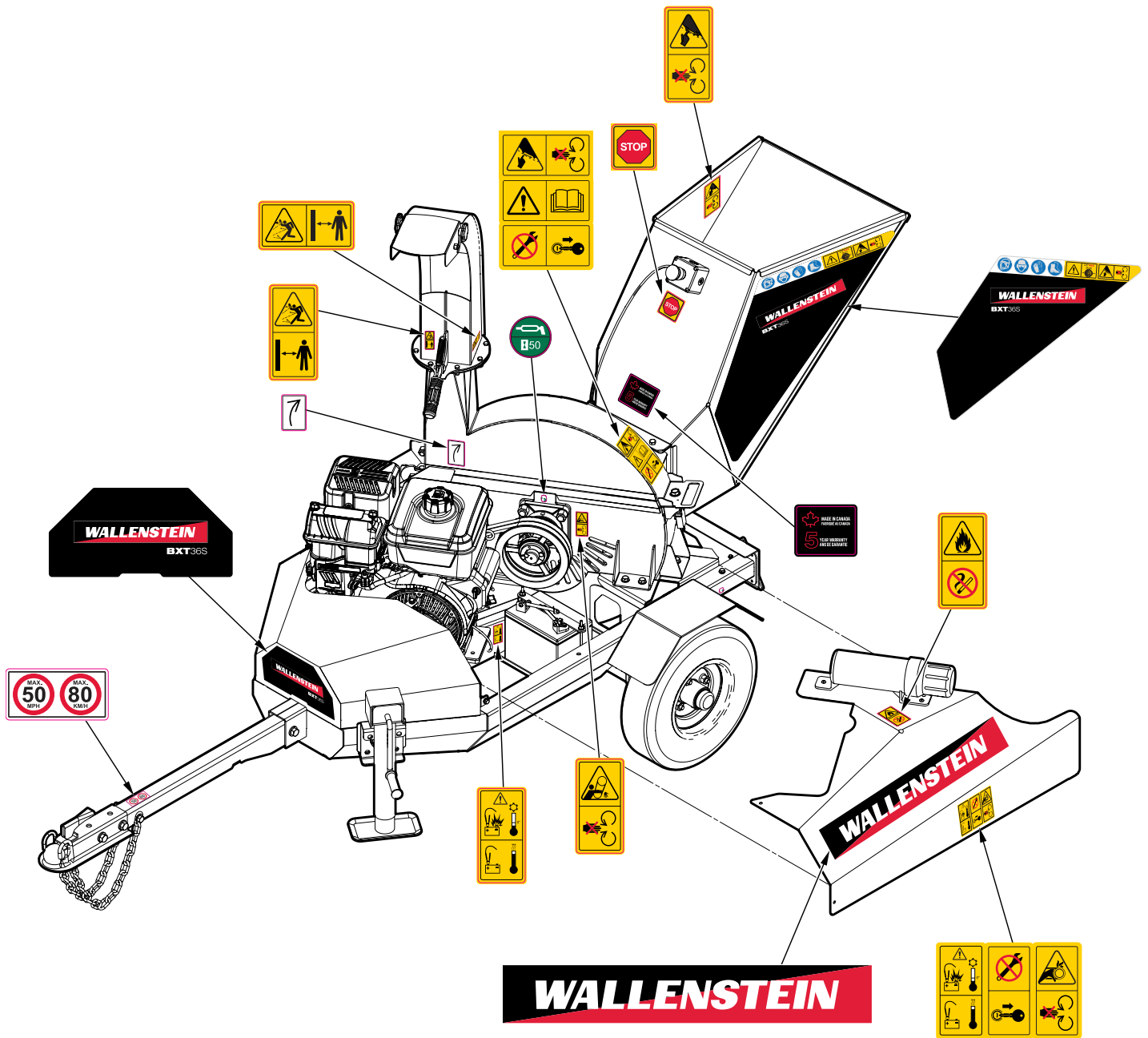
Decal Layout

IMPORTANT! If a part with a safety label on it is replaced, a new safety label must be applied to the replacement part. Replace safety labels that are damaged, missing, or illegible.

Safety labels are included in the product decal kit (DKIT) that can be ordered through your local Wallenstein dealer or distributor. Safety labels are not available individually.



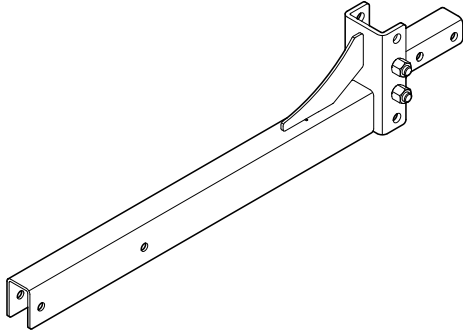
Decal Layout



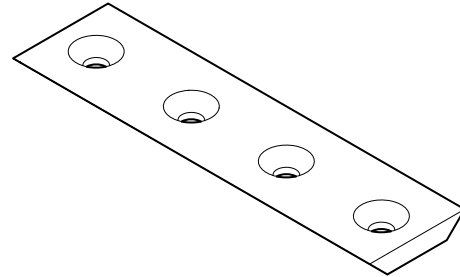
Accessories

Call your dealer for pricing and availability

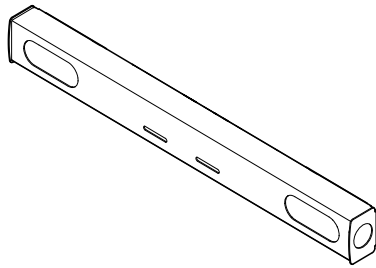
Ladder Hitch
P/N C400



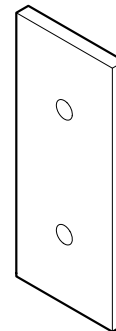
Reversible Rotor Knife
P/N 1065M010



Trailer Light Kit
P/N C600



Ledger Knife
P/N 1056M304



Ledger Knife Clearance Gauge
P/N 1012L269



Bolt Torque Specifications

IMPORTANT! If you replace hardware, use fasteners of the same grade.

IMPORTANT! The torque specifications in these tables are for non-greased or non-oiled threads. Do not grease or oil fastener threads unless otherwise indicated. When using a thread lock, increase the specified torque 5%.



Bolt grades are identified by the marks on top of the bolt head.

These bolt torque specification tables provide the correct torque settings for common bolts and capscrews. Tighten all bolts to the torque that is specified in the table, unless otherwise indicated. Check the bolt tightness periodically.

Imperial Bolt Torque Specifications

Bolt Diameter	Torque					
	SAE Gr. 2		SAE Gr. 5		SAE Gr. 8	
	lbf•ft	N•m	lbf•ft	N•m	lbf•ft	N•m
1/4 inch	6	8	9	12	12	17
5/16 inch	10	13	19	25	27	36
3/8 inch	20	27	33	45	45	63
7/16 inch	30	41	53	72	75	100
1/2 inch	45	61	80	110	115	155
9/16 inch	60	95	115	155	165	220
5/8 inch	95	128	160	215	220	305
3/4 inch	165	225	290	390	400	540
7/8 inch	170	230	420	570	650	880



SAE Gr. 2



SAE Gr. 5



SAE Gr. 8

Metric Bolt Torque Specifications

Bolt Diameter	Torque			
	Gr. 8.8		Gr. 10.9	
	lbf•ft	N•m	lbf•ft	N•m
M3	0.4	0.5	1.3	1.8
M4	2.2	3	3.3	4.5
M6	7	10	11	15
M8	18	25	26	35
M10	37	50	52	70
M12	66	90	92	125
M14	83	112	116	158
M16	166	225	229	310
M20	321	435	450	610
M30	1,103	1,495	1,550	2,100



8.8



10.9

Lug Nut Torque Specifications

WARNING!

Wheel lug nuts must be installed and kept at the correct torque to prevent loose wheels, broken studs, or possible separation of a wheel from the axle.

It is an extremely important safety procedure to apply and maintain the correct torque on lug nuts that secure the wheel to the trailer axle. A calibrated torque wrench is the best tool to make sure that the correct amount of torque is applied to a fastener.

Tighten wheel lug nuts to the correct torque before the first use and after each wheel removal. After a wheel is installed, check and torque the lug nuts after the first 10 miles (16 km), 25 miles (40 km), and 50 miles (80 km). Check the lug nut torque periodically thereafter.

- Start all lug nuts onto the threads by hand.
- Tighten lug nuts in stages, following the pattern shown below the Lug Nut Torque Specifications table.

Lug Nut Torque Specifications

Wheel size	Units	First stage	Second stage	Third stage
8 inch	lbf•ft N•m	12–20 16–26	30–35 39–45.5	45–55 58.5–71.5
12 inch	lbf•ft N•m	20–25 26–32.5	35–40 45.5–52	50–60 65–78
13 inch	lbf•ft N•m	20–25 26–32.5	35–40 45.5–52	50–60 65–78
14 inch	lbf•ft N•m	20–25 26–32.5	50–60 65–78	90–120 117–156
15 inch	lbf•ft N•m	20–25 26–32.5	50–60 65–78	90–120 117–156
16 inch	lbf•ft N•m	20–25 26–32.5	50–60 65–78	90–120 117–156

Lug nut torque pattern:

